



SHORT SHIFTER KIT INSTALLATION INSTRUCTIONS

PART NUMBER D550-1005

APPLICATION: 2006 325i, 330i (E90)
2007-12 328i (E90, E92, & E93; not xi)
2007-10 335i (E90, E92, & E93; N54 only; not xi)
2011-13 335is (E92, & E93; N54)
2008-10 128i, 135i (E82 & E88; N54 only)
2004-05 530i, 545i (E60; not xi)
2006-07 530i, 550i (E60; not xi)

PARTS LIST

1	Short Shift Lever
1	O-Ring
2	Flat Bushings

Congratulations for being selective enough to use a Dinan short shifter kit. We have spent many hours developing this kit to assure that you will receive maximum performance and durability with minimum difficulty in installation. Please take the time to read these instructions and call us if you have any difficulties during the installation.

NOTES:

- We highly recommend that you first read and fully understand these instructions before beginning the installation.
 - Some mechanical skill is required to install this kit. If you feel that you do not have the requisite skill or tools, please arrange for a qualified repair facility to perform the installation.
 - Do not work on vehicles supported by a jack only. Use secure jack stands!
-

1. Remove shift knob. A firm pull upwards is required.



2. Squeeze together the sides of the shift boot and lift up to remove.

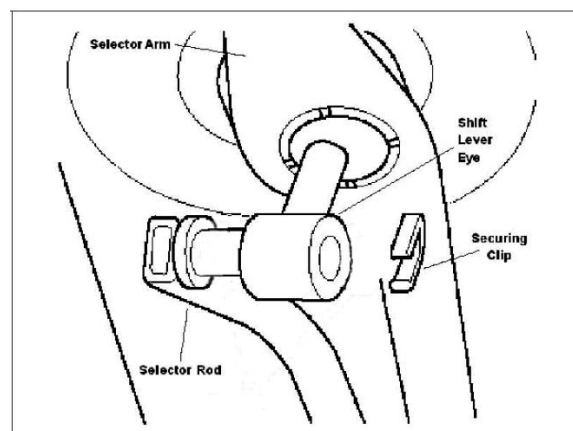


3. Lift up and remove shifter isolation boot.



4. Raise & support car.

5. Reach through gap between heat shield and transmission brace to locate U-clip on bottom of stock shifter. Remove U-clip and unfasten selector rod.



6. Spread the jaws of needle-nose pliers apart so that the tips fit in opposing slots of the plastic ball-clamp. Rotate $\frac{1}{4}$ turn clockwise.



7. Pull out stock shifter.



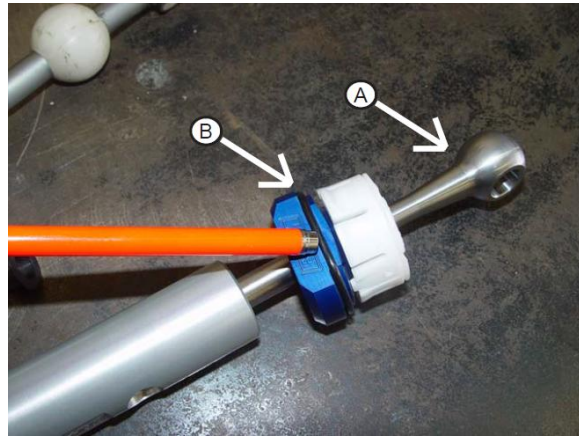
8. Pop off ball-clamp from the stock shifter. This will be used with the Dinan shifter.



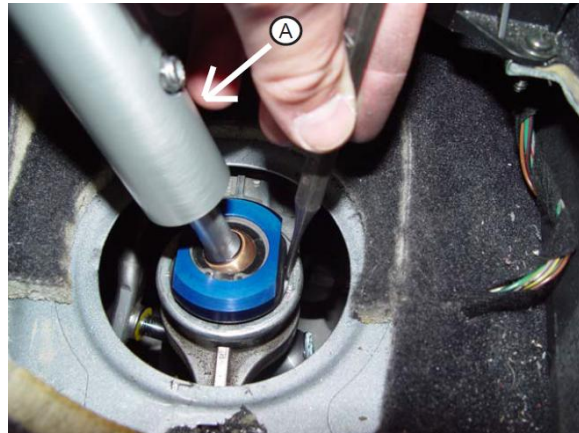
9. Place ball-clamp onto Dinan shifter pivot cup. Align so that tabs of the ball-clamp are underneath the bolt head and nut on the shift lever.



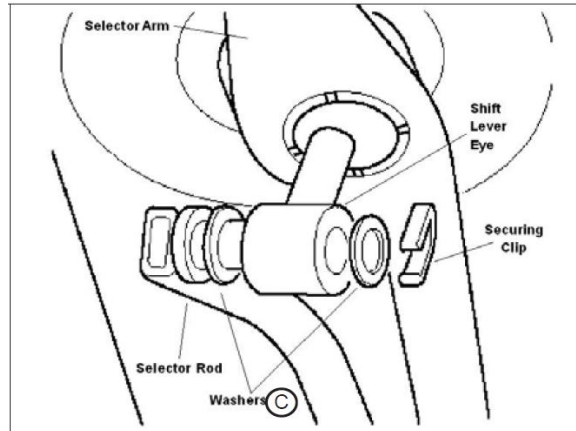
10. Place the included O-ring around the neck of the pivot cup.



11. Place the shifter assembly into the carrier of the car with the bend towards the driver's side/rear of the car. Gently tap the tabs of the ball-clamp until they snap into the carrier. Ensure that ball-clamp is securely affixed to the carrier.



12. Replace selector arm through bottom of shifter. Place included washers on either side of Dinan shifter. Replace U-clip.



13. Lower car.

14. Replace rubber boot around base of shifter. Internal ridge of boot should sit under upper portion of stick.



15. Replace shift boot.



16. Replace shift knob.



17. Be sure all parts have been securely tightened and shifter engages into each gear.



18. Happy Motoring!