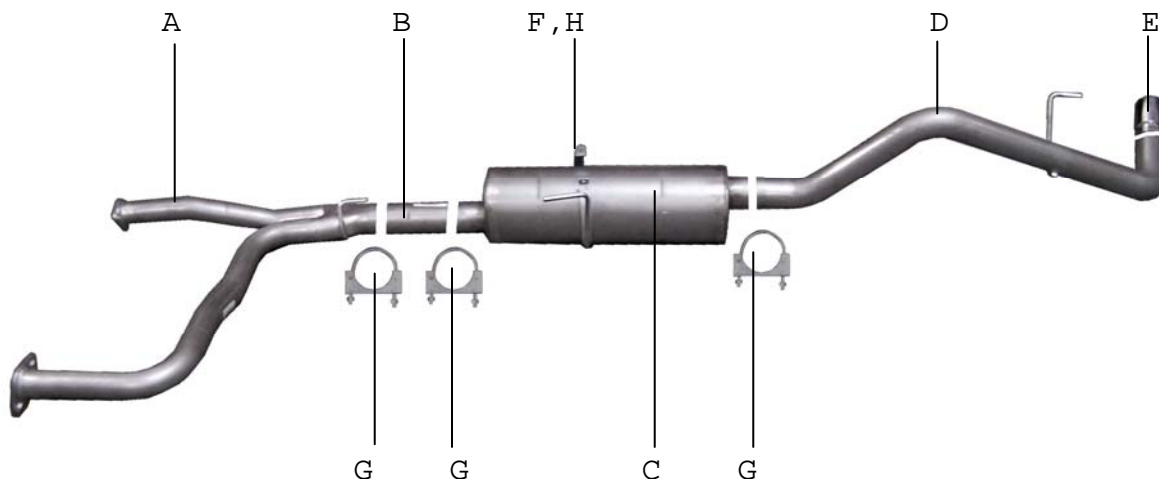




PERFORMANCE EXHAUST SYSTEMS

INSTRUCTION MANUAL
CAT-BACK STAINLESS SINGLE EXHAUST
05-06 NISSAN FRONTIER 4.0L V-6 2/4WD
KING & CREW CAB, SHORT BED
PART # 612211



ITEM	PART #	QTY	DESCRIPTION
A	888-700639S	1	2½" S.S Y-PIPE W/GP-11 FLANGES/HANGER
B	863-700602S	1	3" STAINLESS RESONATOR
C	421887	1	STAINLESS SUPERFLOW MUFFLER
D	889-700640S	1	3" S.S OVERAXLE TAILPIPE WITH W/HANGER
E	500360	1	3-1/2" STAINLESS TIP
F	4237	1	BAND CLAMP
G	OHD300	3	3" CLAMP
H	BO-1015	1	BOLT KIT FOR BAND CLAMP

Thank you for purchasing our GIBSON EXHAUST SYSTEM for your vehicle. If you need further assistance, please do not hesitate to call our Technical Department at (800) 528-3044, Monday through Friday, 8:00 am to 5:00 PM. 0506

EXHAUST INSTALLATION #612211

When installing this exhaust system make sure to use proper safety precautions. Use jack stands when under the truck, set parking brake, block tires and use safety glasses and gloves.

DO NOT WORK WITH HOT PIPES!

SUGGESTED TOOLS:

1/2", 9/16", 12 & 14MM Socket, WD-40, Jack Stand, or Sawzall



LAY OUT THE GIBSON EXHAUST ON THE FLOOR AND COMPARE PART #'S TO THE DRAWING. TO REMOVE YOUR FACTORY EXHAUST UN-BOLT YOUR TAILPIPE AT THE CLAMP LOCATED BEHIND YOUR STOCK MUFFLER USE WD-40 TO AID YOU IN REMOVAL OF HANGERS FROM RUBBER GROMMETS



INSTALL MUFFLER # C ONTO YOUR RESONATOR 1 1/2" -2". USE CLAMP #G TO SECURE MUFFLER TO THE PIPE, DO NOT TIGHTEN. OUTLET WILL BE AT THE 12 O'CLOCK POSITION. INLET WILL BE LOOKING INTO LOUVERS.



NEXT, UN-BOLT YOUR EXHAUST FROM THE 2-BOLT FLANGES LOCATED JUST BEHIND YOUR FACTORY CATALYTIC CONVERTERS, DO NOT DISGUARD YOUR FACTORY GASKETS AND HARDWARE YOU WILL RE-USE IT. ALSO



INSTALL BAND CLAMP # F ONTO MUFFLER, INSERT HANGER INTO RUBBER GROMMET, USE BOLT KIT #H PROVIDED, DO NOT TIGHTEN.



KING CAB ONLY. REMOVE THE FACTORY GROUND WIRE FROM YOUR STOCK TAILPIPE. DO NOT DISGARD NUTS, YOU WILL RE-USE IT



INSTALL OVERAXLE TAILPIPE # D INTO MUFFLER 1 1/2"-2" INSERT WELDED HANGER INTO RUBBER GROMMET USE CLAMP # G TO SECURE PIPE TO MUFFLER.

INSTALL Y-PIPE # A ONTO STOCK FLANGES USE YOUR STOCK HARDWARE TO SECURE. INSERT WELDED HANGER INTO RUBBER GROMMET, DO NOT TIGHTEN.

KING CAB ONLY.

RE-INSTALL YOUR FACTORY GROUND WIRE TO YOUR NEW TAILPIPE, USING YOUR FACTORY NUT.



NEXT, INSTALL RESONATOR # B 1 1/2"-2" ONTO Y-PIPE USE CLAMPS # G TO SECURE PIPES TOGETHER, DO NOT TIGHTEN.



INSTALL YOUR STAINLESS TIP TO YOUR DESIRED LOOK. NOW GO BACK AND TIGHTEN ALL YOUR FLANGES, CLAMPS, ETC. STARTING FROM THE FRONT AND WORKING YOUR WAY BACK. TO CLEAN YOUR STAINLESS TIP USE A STAINLESS CLEANER.

MAKE SURE YOU HAVE A 1" CLEARANCE ON ALL RUBBER BRAKE LINES, SHOCK BOOTS, TIRES, FUEL LINES, ETC...