

# INSTALLATION INSTRUCTIONS AND PARTS LIST

## VEHICLE APPLICATION:

**MODEL 250934 (12" X 20") FRONT MUDGUARDS**

**MODEL 250936 (12" X 23") FRONT MUDGUARDS**

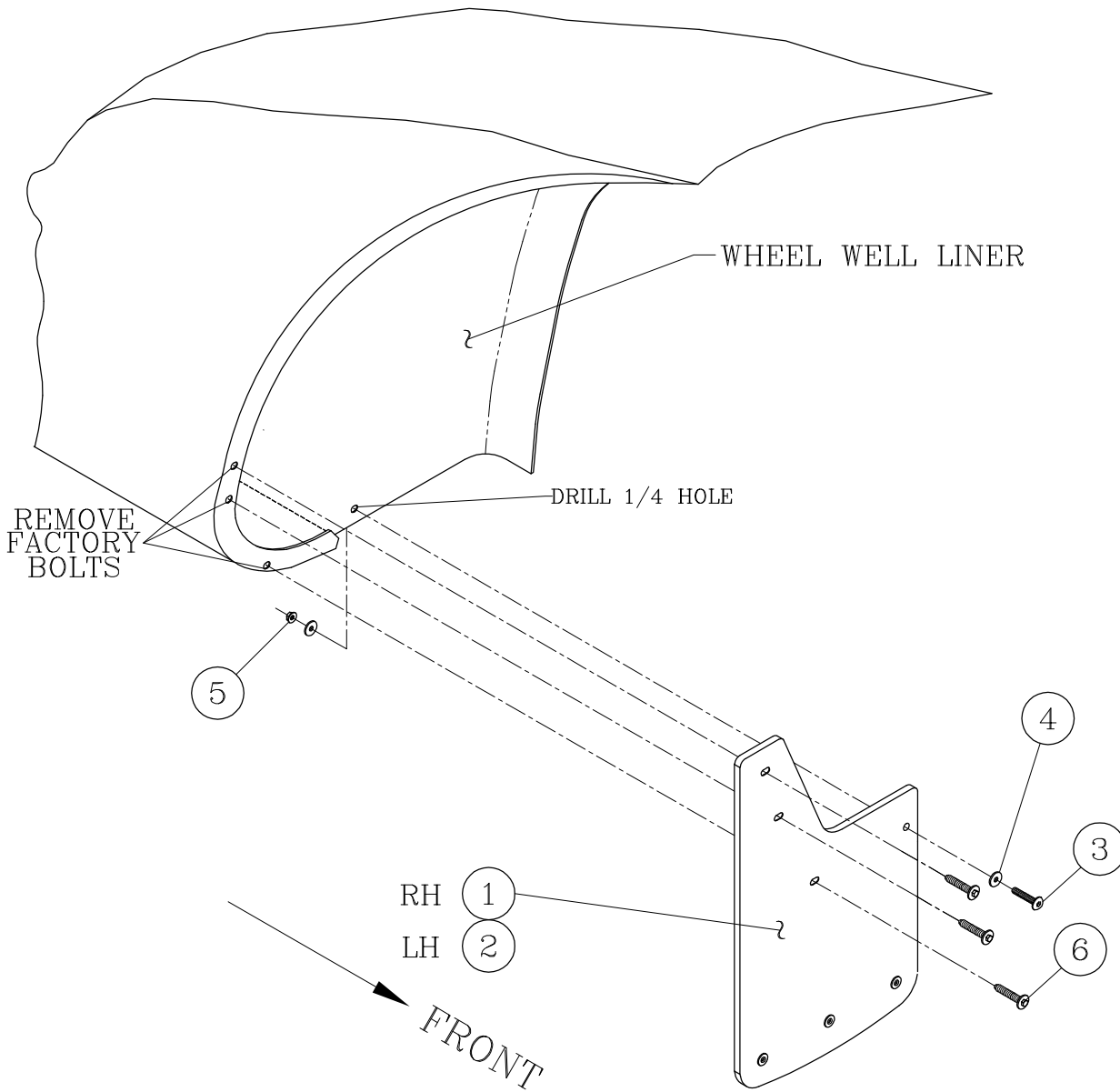
2019 AND NEWER DODGE RAM 1500 SERIES TRUCKS

1. READ INSTRUCTIONS COMPLETELY AND CHECK TO MAKE SURE THAT ALL REQUIRED PARTS (LISTED ON SERVICE PARTS LIST) ARE ON HAND BEFORE STARTING THE INSTALLATION.
2. INSTALL THE MUDGUARDS AS FOLLOWS:
  - 2.1. REMOVE THE HEX HEAD FACTORY FENDER BOLT FROM THE OUT SIDE OF THE FENDER AS SHOWN IN FIG 1.
  - 2.2. POSITION THE MUDGUARD AGAINST THE WHEEL WELL FLANGE AND INSTALL (3) SCREWS (ITEM #6) IN TO THE FACTORY HOLES.
  - 2.3. WITH THE MUD GUARD IN PLACE DRILL  $\frac{1}{4}$  HOLE ON THE INSIDE OF THE WHEEL LINER AS SHOWN IN FIG 1.
  - 2.4. INSTALL THE BOLT (ITEM #3) WITH A WASHER (ITEM #5) ON EACH SIDE OF THE MUD GUARD AND WHEEL LINER SECURE WITH THE NUT (ITEM#4).
  - 2.5. REPEAT FOR THE OPPOSITE SIDE.



SERVICE PARTS LIST

2019 DODGE RAM  
MODEL: 250934 & 250936



*fig.1*

FRONT INSTALLATION  
RIGHT (PASSENGER) SIDE SHOWN

ITEM	QTY	DESCRIPTION
1	1	MUDGUARD-RUBBER, 20" RAM,RH
2	1	MUDGUARD-RUBBER, 20" RAM,LH
1	1	MUDGUARD-RUBBER, 23" RAM,RH
2	1	MUDGUARD-RUBBER, 23" RAM,LH
3	2	SCREW- BTN HD SOC, SST, 1/4-20 X 1.0"
4	2	NUT-HEX,NYL, 1/4-20,SST
5	4	WSHR-FNDR, 1/4 X1, SST,18-8,BZP
6	6	SCR-SEMS,7MMHH,M4.2-1.41X30MM

