

INSTALLATION INSTRUCTIONS AND PARTS LIST

VEHICLE APPLICATION:
MODEL 251520 (12" X 20") & 251523 (12" X 23") FRONT OR REAR MUDGUARDS
2015 AND NEWER FORD F-150 SERIES TRUCKS

1. READ INSTRUCTIONS COMPLETELY AND CHECK TO MAKE SURE THAT ALL REQUIRED PARTS (LISTED ON SERVICE PARTS LIST) ARE ON HAND BEFORE STARTING THE INSTALLATION.

MOUNTING 251520 / 251523 MUDGUARDS ON THE FRONT OF THE VEHICLE: (SEE FIG. 1)

2. REMOVE THE TWO FASTENERS HOLDING THE ROCK GUARD TO THE BOTTOM OF THE FENDER. THESE WILL NOT BE REUSED. **NOTE: IF THE VEHICLE HAS A FACTORY FENDER FLARE USE A 9/32" DRILL BIT AND DRILL A HOLE AT EACH OF THE ROCK GUARD FASTENER LOCATIONS.**
3. REMOVE THE SQUARE PLASTIC PLUG FROM THE SQUARE SUPPORT TUBE LOCATED BEHIND THE FENDER LINER. THIS CAN BE REUSED IF WANTED.
4. USING TWO 8-15 X 1.75 PAN HEAD SCREWS (ITEM #8), TWO #8 SST FLAT WASHERS (ITEM #9), AND TWO BLACK 1/4" X 1" FLAT WASHERS (ITEM #6) ATTACH THE MUDGUARD (ITEM #2) TO THE FENDER AS SHOWN IN FIGURE 1. LEAVE THESE FASTENERS LOOSE AT THIS TIME.
5. USING A 1/4-20 X 1.5" ALUMINUM HEX HEAD SCREW (ITEM #3), TWO 1/4" ALUMINUM FLAT WASHERS (ITEM #5), A 1/4"- 1" BLACK FENDER WASHER (ITEM #6) AND A 1/4-20 ALUMINUM LOCK NUT (ITEM #4) ATTACH THE INBOARD CORNER OF THE MUD GUARD TO THE SUPPORT TUBE FROM STEP 3. **NOTE: THERE SHOULD BE A PRE EXISTING HOLE IN THE SUPPORT TUBE, IF A HOLE IS NOT PROVIDED, POSITION THE MUDGUARD IN ITS FINAL POSITION AND USING A 3/8" DRILL BIT, DRILL A HOLE THROUGH THE SUPPORT TUBE. LEAVE THESE FASTENERS LOOSE AT THIS TIME.**
6. POSITION THE MUD GUARD IN ITS FINAL POSITION AND LOCATE THE TOP MOUNTING LOCATION FOR THE MUD GUARD. USING A 9/32" DRILL BIT, DRILL A HOLE THROUGH THE FENDER LIP.
7. USING A 1/4-20 X 1.5" ALUMINUM HEX HEAD SCREW (ITEM #3), TWO 1/4" ALUMINUM FLAT WASHERS (ITEM #5), A 1/4"- 1"BLACK FENDER WASHER (ITEM #6), AND A 1/4-20 ALUMINUM LOCK NUT (ITEM #4) ATTACH THE MUD GUARD TO THE FENDER AS SHOWN IN FIGURE 1.
8. ADJUST THE MUD GUARD SO THAT IT IS LEVEL AND UPRIGHT AND TIGHTEN ALL FASTENERS. **NOTE: IT IS RECOMMENDED TO START WITH THE TOP FASTENER. NOTE: BE CAREFUL TO NOT OVER TIGHTEN FASTENERS**
9. REPEAT FOR LEFT SIDE OF VEHICLE.



(A LUVERNE Company)

1200 E. Birch St.

Brandon, SD 57005

REV A. 24MAR15
552817 SHEET 1 OF 4 11FEB15

MOUNTING 251520 / 251523 MUD GUARDS ON THE REAR OF THE VEHICLE. (SEE FIG. 2)

10. REMOVE THE TWO PLASTIC FASTENERS HOLDING THE ROCK GUARD TO THE FENDER. THESE WILL NOT BE REUSED. **NOTE: IF THE FACTORY FENDER FLARE COVERS THESE FASTENERS USE A 9/32" DRILL BIT AND DRILL A HOLE AT EACH OF THESE LOCATIONS.**
11. REMOVE THE FACTORY SPLASH GUARD BOLT AND INSTALL A .360" X 1.5" NYLON WASHER (ITEM #7) AND THE SUPPORT BRACE (ITEM #10) AS SHOWN IN FIGURE 2.
12. USING TWO 1/4-20 X 1.5" ALUMINUM HEX HEAD SCREWS (ITEM #3), TWO 1/4" X 1" BLACK FENDER WASHERS (ITEM #6), FOUR 1/4" ALUMINUM WASHERS (ITEM #5), AND TWO 1/4-20 ALUMINUM LOCK NUTS (ITEM #4) ATTACH THE MUD GUARD TO THE FENDER AS SHOWN IN FIGURE 2.
13. USING A 1/4-20 X 1.5" ALUMINUM HEX HEAD SCREW (ITEM #3), A 1/4" X 1" BLACK FENDER WASHER (ITEM #6), TWO 1/4" ALUMINUM WASHERS (ITEM #5), AND A 1/4-20 ALUMINUM LOCK NUT (ITEM #4) ATTACH THE MUD GUARD TO THE SUPPORT BRACE AS SHOWN IN FIGURE 2.
14. POSITION THE MUD GUARD SO THAT IT IS IN ITS FINAL POSITION AND LOCATE THE TOP MOUNTING HOLE. USING A 9/32" DRILL BIT, DRILL A HOLE THROUGH THE FENDER LIP.
15. USING A 1/4-20 X 1.5" ALUMINUM HEX HEAD SCREW (ITEM #3), TWO 1/4" ALUMINUM WASHERS (ITEM #5), A 1/4"-1" BLACK FENDER WASHER (ITEM #6), AND A 1/4-20 ALUMINUM LOCK NUT, ATTACH THE MUD GUARD TO THE FENDER AS SHOWN IN FIGURE 2.
16. ADJUST THE MUD GUARD SO THAT IT IS LEVEL AND UPRIGHT AND TIGHTEN ALL FASTENERS. **NOTE: BE CAREFUL TO NOT OVER TIGHTEN FASTENERS.**
17. REPEAT FOR LEFT SIDE OF VEHICLE.

PARTS LIST

ITEM	PART NO.	QTY	DESCRIPTION
1	552812	1	MUDGUARD-,12X20,FORD F150,LH
2	552813	1	MUDGUARD-,12X20,FORD F150,RH
1	552814	1	MUDGUARD-,12X23,FORD F150,LH
2	552815	1	MUDGUARD-,12X23,FORD F150,RH
3	109901	8	SCREW-HEX HEAD, 1/4-20 X 1.5", ALUMINUM
4	109902	8	NUT-LOCK, 1/4-20, ALUMINUM
5	109903	8	WASHER-FLAT, .257 X .685 X .045, ALUMINUM
6	108521	8	WASHER-FENDER, 1/4-1, SST, BZP
7	108442	2	WASHER-NYL, .360 X 1.5 X .032, BLK
8	107642	4	SCR-PAN HEAD, 8-15 X 1.75, SST
9	105511	4	WASHER - FLAT, .203 X .625 X .062, SST
10	552816	2	BRACE-SUPPORT, REAR



(A LIVERNE Company)

1200 E. Birch St.

Brandon, SD 57005

REV A. 24 MAR15
552817 SHEET 2 OF 4 11FEB15

SERVICE PARTS LIST

MODEL NO. - 251520/251523

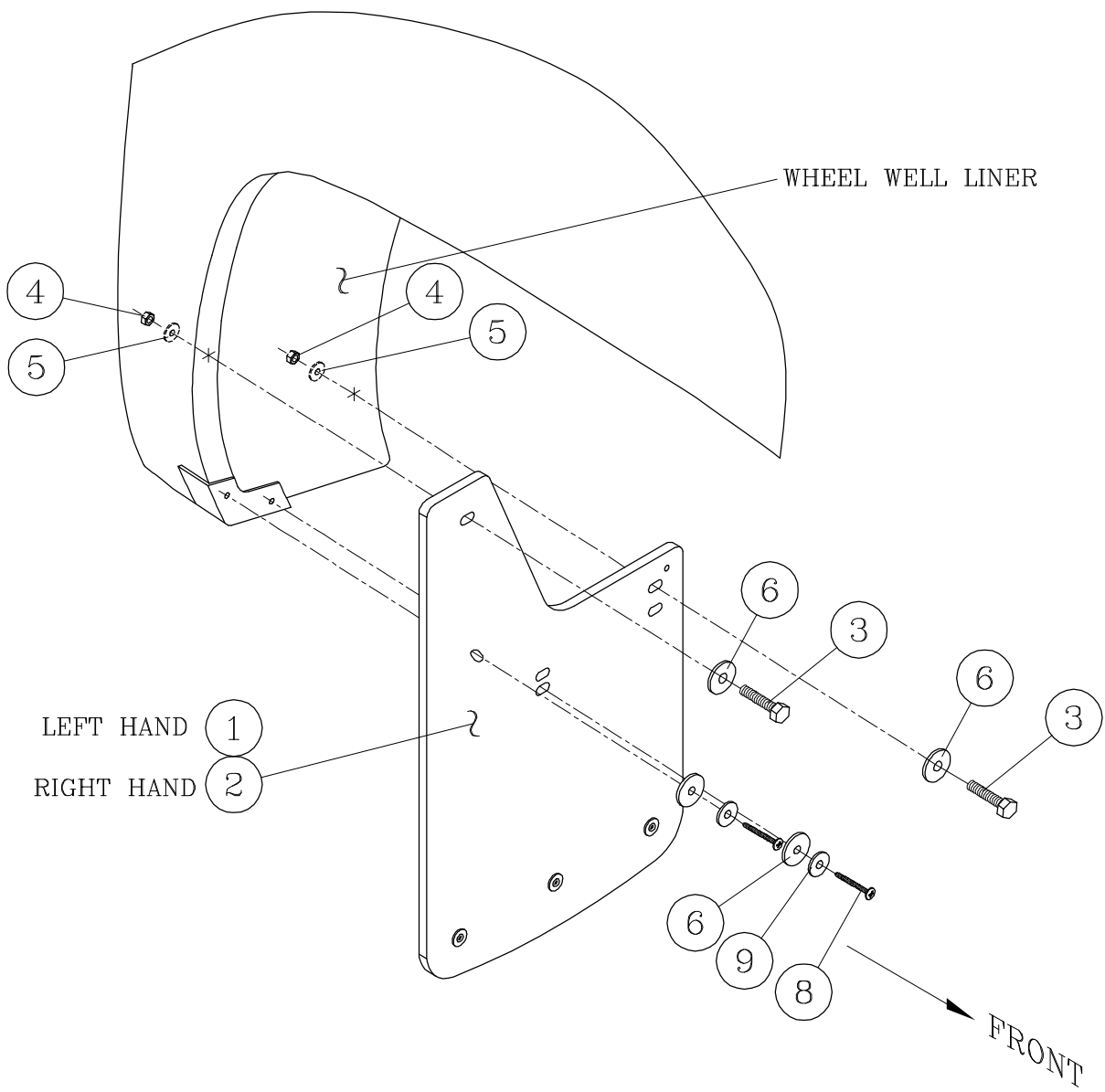


FIG. 1

FRONT INSTALLATION
RIGHT (PASSENGER) SIDE SHOWN



(A LIVERNE Company)

1200 E. Birch St. Brandon, SD 57005

DRAWING NOT TO SCALE

REV. A. 24MAR15
552817 SHEET 3 OF 4 11FEB15

SERVICE PARTS LIST

MODEL NO. - 251520/251523

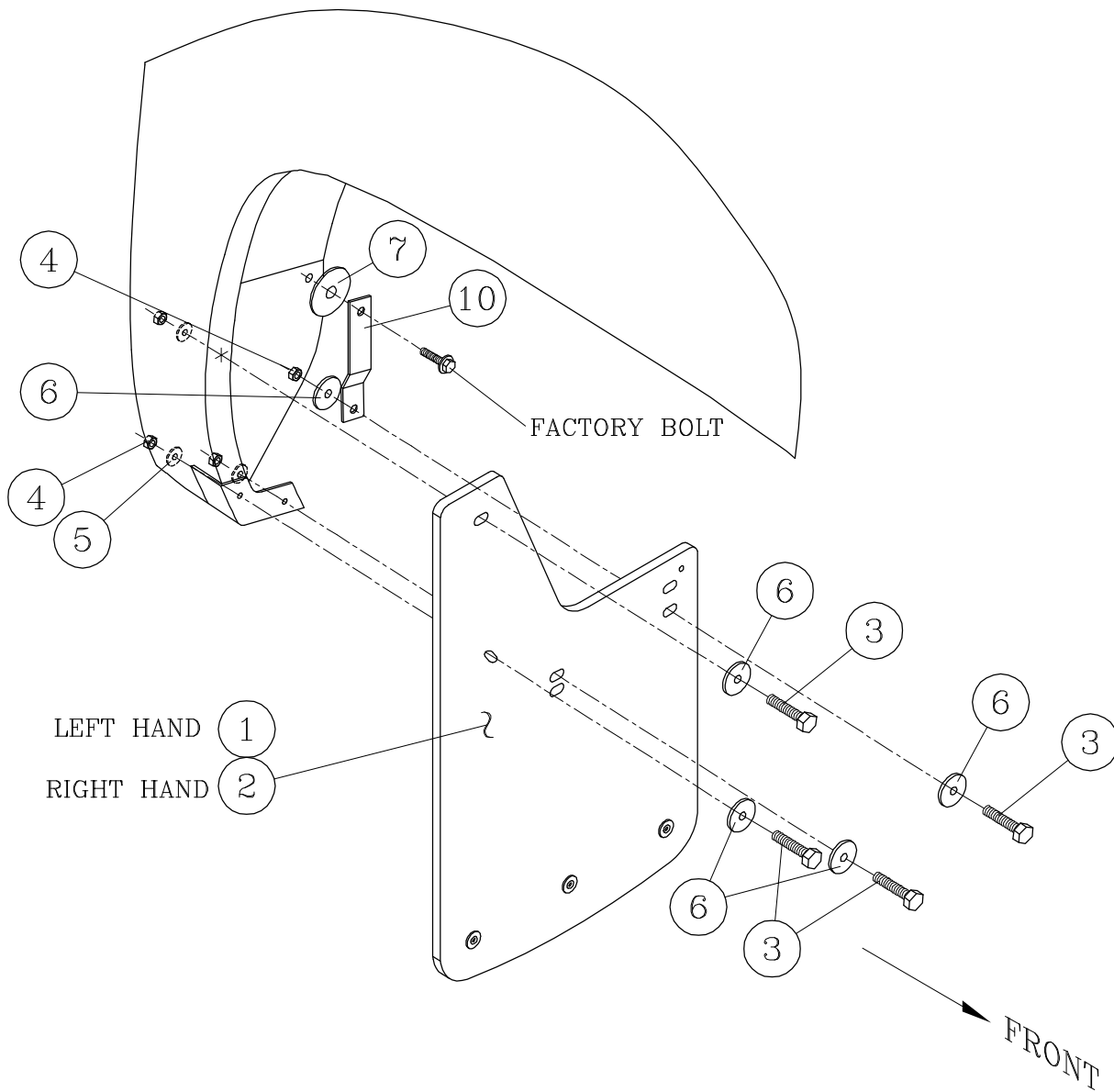


FIG. 2

REAR INSTALLATION
RIGHT (PASSENGER) SIDE SHOWN



(A LIVERNE Company)

1200 E. Birch St.

Brandon, SD 57005

DRAWING NOT TO SCALE

REV A. 24MAR15
552817 SHEET 4 OF 4 11FEB15