

INSTALLATION INSTRUCTIONS AND PARTS LIST
MODEL 477054, 477060 REGAL 7 OVAL STEPS (BOARDS ONLY)
UNIVERSAL APPLICATIONS



1. Read instructions completely and check to make sure that all required parts (listed on the service parts list) are on hand before starting the installation.
2. Follow the instructions included with the specific bracket package that you are using to mount the brackets to your vehicle. The serial number label is located on the front inside drivers side step assembly.
3. The step is pre-assembled from the factory. The serial number label is located on the front inside drivers side step assembly.
- 4.
5. Attaching the step to the mounting bracket:
 - 4.1 Set the step on the mounting brackets, and slide each support mounting plate (item #9) inside the oval step and above each bracket.
 - 4.2 Using the supplied 5/16-18 x 1" black stainless steel hex bolt, washer, and serrated flange nut (items # 10,11&12) attach the step assembly, support mounting plate and mounting bracket.
 - 4.3 Set the step plate in the correct position and tighten all fasteners.
Torque all 5/16" fasteners to 19 LB FT.

SERVICE PARTS LIST

ITEM	PART NO.	QTY	DESCRIPTION
1&2	552054	2	REGAL 7 OVAL STEP, LH,RH,52",477054
1&2	552055	2	REGAL 7 OVAL STEP, LH,RH,58",477060
3	109233	2	END CAP LH REAR, RH FRONT,BLK PLASTIC
4	109232	2	END CAP RH REAR, LH FRONT,BLK PLASTIC
5	107863	8	BOLT-CARRAIGE, 10-24 X 0.50,SST, BLACK
6	108909	2	STEP PAD, 25" X 6.5", PLASTIC, BLACK
7	108908	12	BOLT-CARRAIGE, 10-24 X 1.0,SST, BLACK
8	107864	12	NUT-NYLOCK, 10-24, SST
9	552052	6	SUPPORT MTG PLT, 11 GA, GALV
10	106997	12	SCREW-HEX HD, 5/16-18X1.0,SST,BLACK
11	106998	12	WSHR-FLAT, 5/16, SST, BLACK
12	102680	12	NUT-SER FLG, 5/16-18, SST



(A LUVERNE Company)

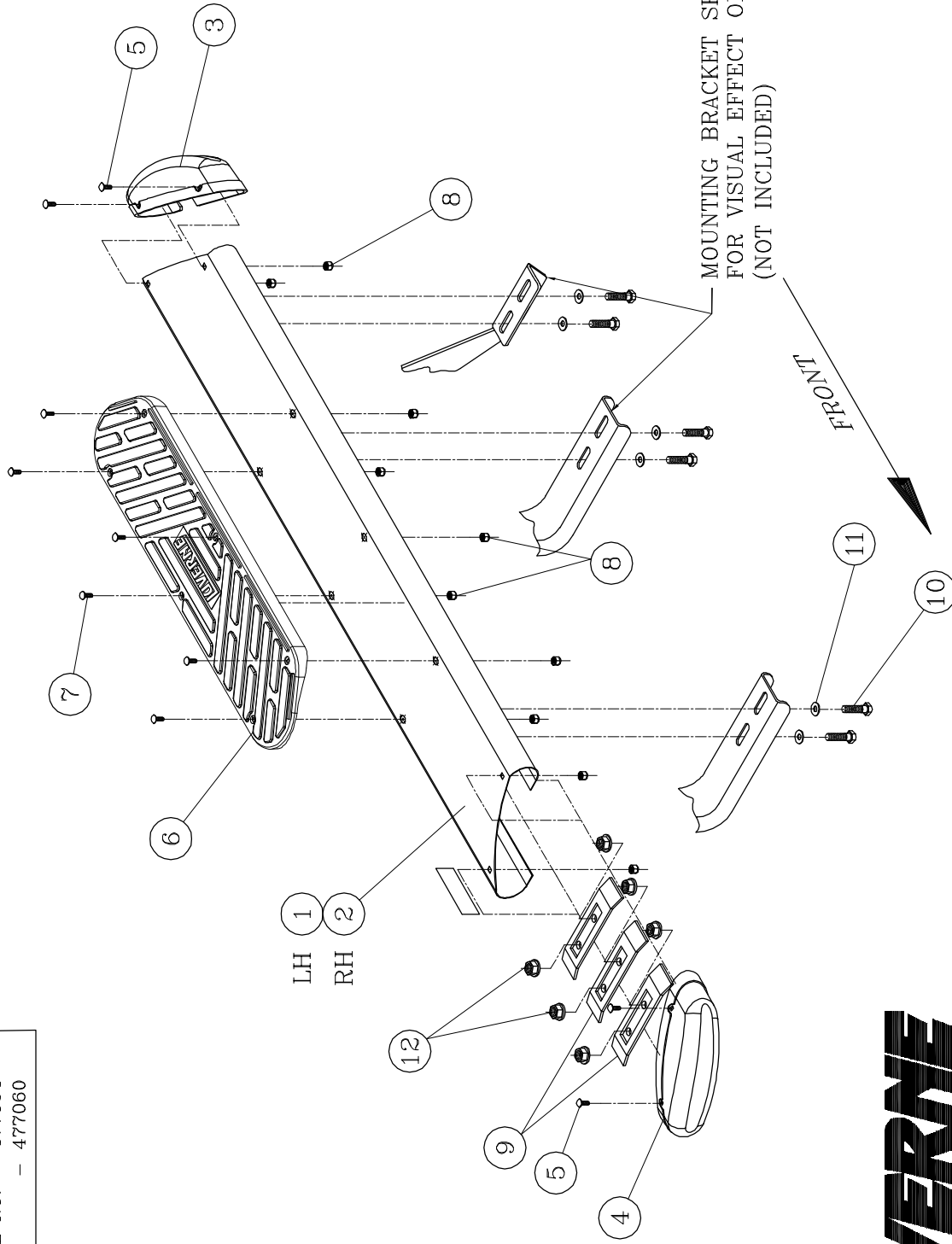
1200 E. Birch St.

Brandon, SD 57005

REV A 31JUL12
552058 SHEET 1 OF 2 27FEB12

SERVICE PARTS LIST

MODEL NO. - 477054
 - 477060



LIVERNE
 TRUCK EQUIPMENT
 (A LIVERNE COMPANY)

1200 E. Birch St.
 Brown, SD 57005

INSTALLATION INSTRUCTIONS AND PARTS LIST

APPLICATION: MODEL 401521, 401721 GRIP STEP BRACKETS ON:
2015+ FORD F-150 / 2017+ FORD SUPER DUTY REGULAR CAB PICKUPS
ROCKER PANEL MOUNT APPLICATION



NO DRILL APPLICATION

1. READ INSTRUCTIONS COMPLETELY AND CHECK TO MAKE SURE THAT ALL REQUIRED PARTS (LISTED ON SERVICE PARTS LIST) ARE ON HAND BEFORE STARTING THE INSTALLATION.
2. ON THE LEFT SIDE OF THE VEHICLE INSTALL TWO 1.5" ISOLATOR WASHERS (ITEM #3) THE STEP MOUNTING BRACKET (ITEM #2) AND TWO M8-1.25 FLANGE NUTS (ITEM #4) ON THE FACTORY PROVIDED STUDS ON THE INSIDE OF THE ROCKER PANEL AS SHOWN IN FIGURE 1.
3. REPEAT STEP 2 FOR THE REMAINING BRACKETS.
4. CHECK THAT ALL BRACKETS ARE LEVEL AND TIGHTEN ALL FLANGE NUTS.
5. REAPEAT STEPS 2 – 4 FOR THE RIGHT SIDE OF THE VEHICLE.

ATTACHING THE STEP BOARDS TO THE BRACKETS:

PLEASE REFER TO THE INSTRUCTION SHEET INCLUDED WITH YOUR STEP BOARD ASSEMBLY TO MOUNT THE STEP TO THE BRACKETS.

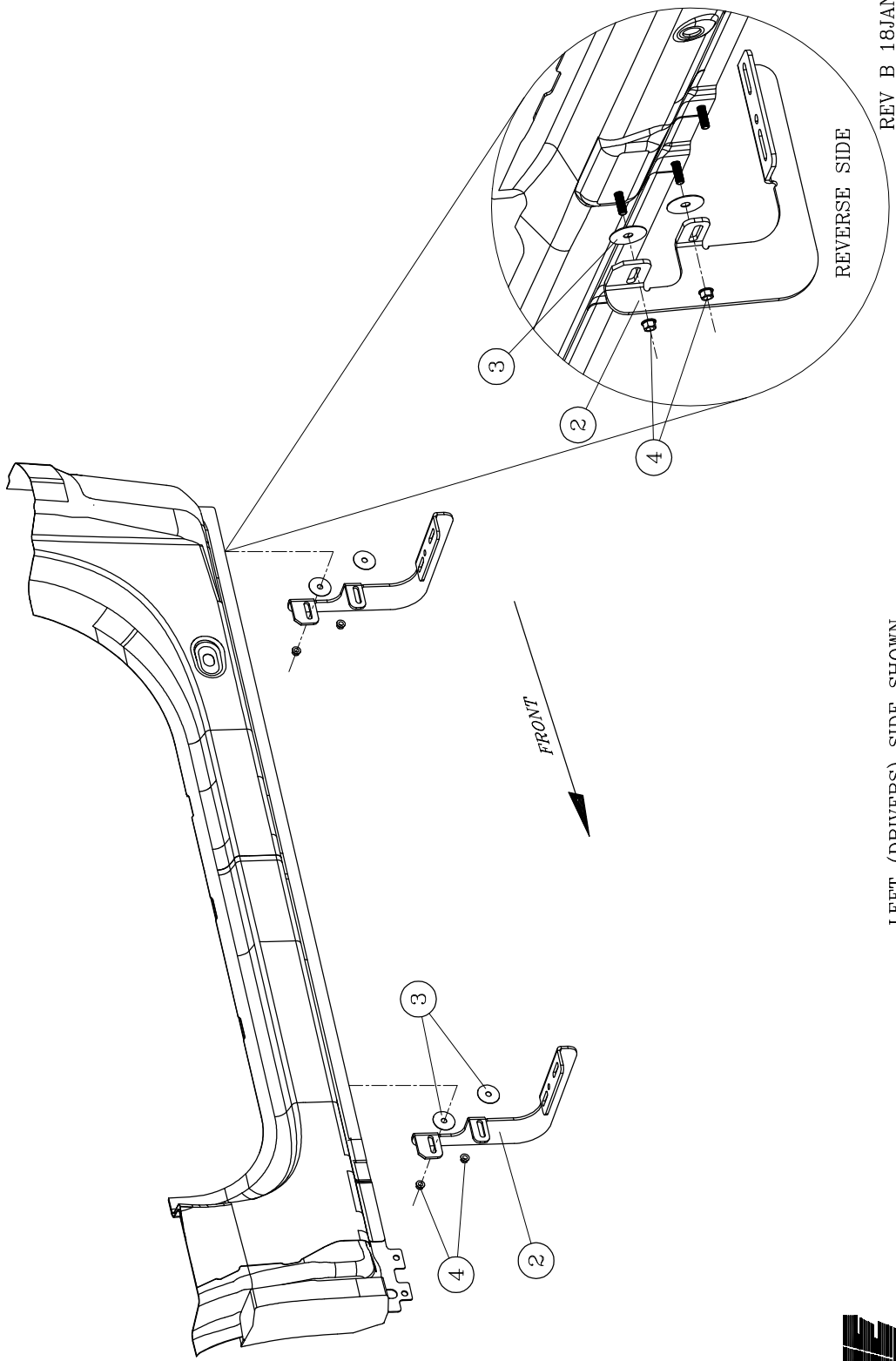
SERVICE PARTS LIST

ITEM	PART NO.	QTY	DESCRIPTION
1		1	STEP ASSY, GRIP STEP
2	552845	4	BRACKET-MTG, GRIP STEP, 401521
2	553168	4	BRACKET-MTG, GRIP STEP, 401721
3	108442	8	WASHER – NYLON, .36" X 1.5" X .032" BLACK
4	105859	8	NUT- FLANGE, M8-1.25, ZP

SERVICE PARTS LIST

MODEL NO. - 401521
401721

REGULAR CAB



REV B 18JAN17
REV A 30DEC16
552826 SHEET 2 OF 2 27JAN15

- LEFT (DRIVERS) SIDE SHOWN -
- RIGHT (PASSENGER) SIDE OPPOSITE -

