

INSTALLATION INSTRUCTIONS AND PARTS LIST

MODEL: 583098, 583102, 583108, 583114, 583125, 584098, 584102, 584114, 584125 O-MEGA II 6" OVAL
STEPS
UNIVERSAL APPLICATION

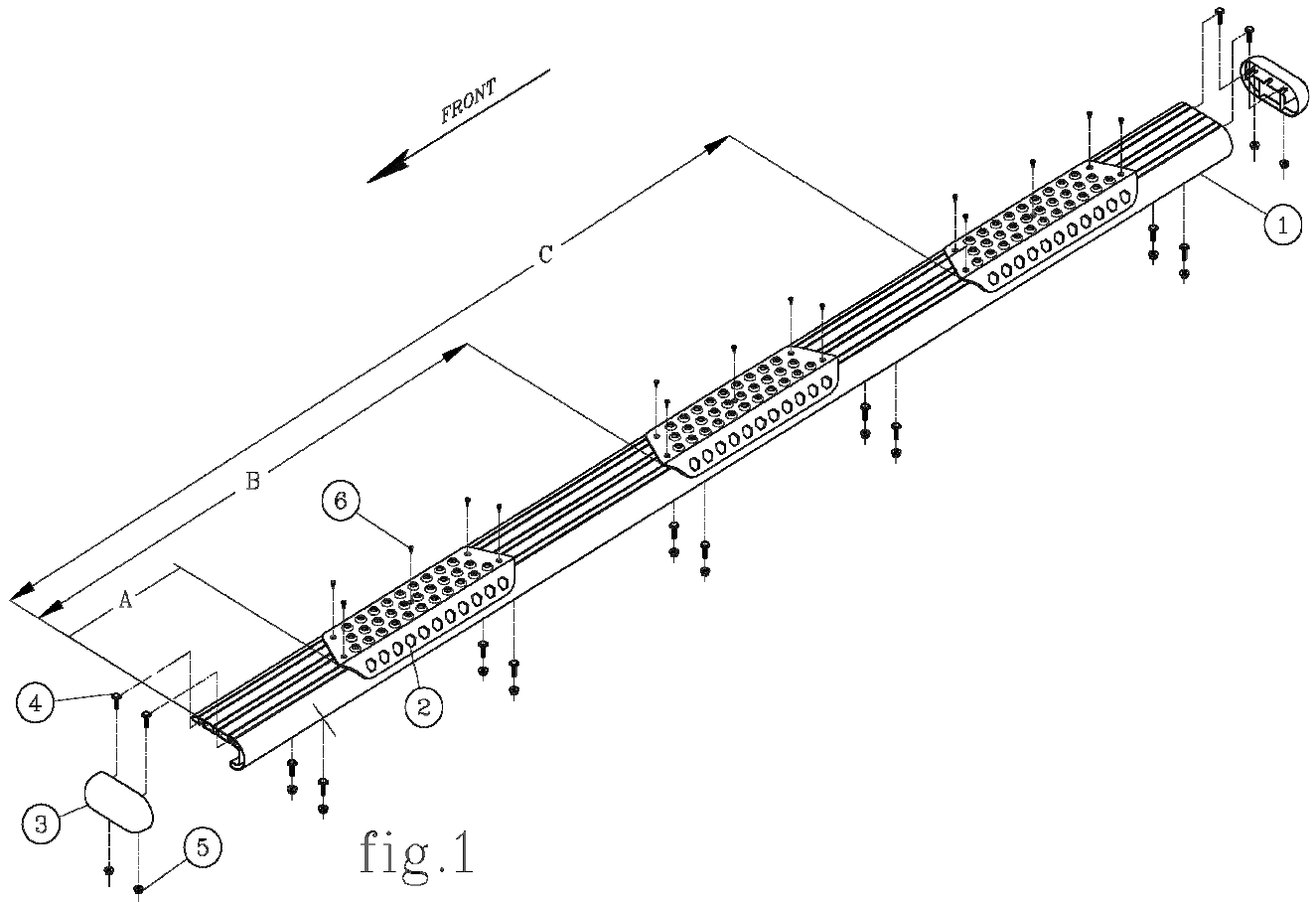
1. READ INSTRUCTIONS COMPLETELY AND CHECK TO MAKE SURE THAT ALL REQUIRED PARTS (LISTED ON THE SERVICE PARTS LIST) ARE ON HAND BEFORE STARTING THE INSTALLATION.
2. FOLLOW THE INSTRUCTIONS INCLUDED WITH THE SPECIFIC BRACKET PACKAGE THAT YOU ARE USING, TO MOUNT THE BRACKETS TO YOUR VEHICLE.
3. BEFORE ATTACHING THE O-MEGA STEPS TO THE BRACKETS, PLACE THE STEP PADS (ITEM #2) ON TOP OF THE STEP PLATES. USE THE TABLE ON SHEET #2, AS A GUIDE TO POSITION THE STEP PAD FOR YOUR PARTICULAR VEHICLE. WHEN INSTALLING THE PADS ON THE STEPS, DRILL (5) 1/8" HOLE USING THE STEP PAD AS A GUIDE. ATTACH WITH (5) 8-18X1/2" TEK SCREWS (ITEM #6) PROVIDED. REPEAT FOR ALL STEP PADS. (NOTE: DUE TO THE SHORTNESS OF SOME BOXES, MOUNT THE BOX STEP PAD FIRST, APPROXIMATELY 1/2" FROM THE END CAP AND THEN MOUNT THE MIDDLE STEP PAD ACCORDINGLY.)
4. INSTALL THE REQUIRED NUMBER OF SQUARE HEAD BOLTS INTO THE DESIGNATED SLOTS IN THE BOTTOM OF THE STEP PLATES.
5. INSTALL THE END CAPS (ITEM #3) AS SHOWN IN *fig. 1*, TIGHTENING THE NUTS TO 5 LB FT.
6. POSITION THE O-MEGA STEP ON THE MOUNTING BRACKETS SO THAT THE SQUARE HEAD SCREWS (ITEM #4) ARE LOCATED IN THE SLOTS OF THE MOUNTING BRACKETS AND THE STEP IS CENTERED, FRONT TO REAR, ON THE VEHICLE. INSTALL 5/16" SERRATED FLANGE NUTS (ITEM #5) ON THE SQUARE HEAD SCREWS (ITEM #4) AND TIGHTEN TO 19 LB FT.

SERVICE PARTS LIST

| ITEM | PART NO. | QTY | DESCRIPTION |
|------|----------|-----|-------------------------------------|
| 1 | 553074 | 2 | EXTRUSION-AL,95.0,OMEGA STP,SILVEER |
| 1 | 553075 | 2 | EXTRUSION-AL,99.0,OMEGA STP,SILVER |
| 1 | 553076 | 2 | EXTRUSION-AL,105.0,OMEGA STP,SILVER |
| 1 | 553077 | 2 | EXTRUSION-AL,111.0,OMEGA STP,SILVER |
| 1 | 553078 | 2 | EXTRUSION-AL,122.0,OMEGA STP,SILVER |
| 1 | 553062 | 2 | EXTRUSION-AL,95.0,OMEGA STP,BLACK |
| 1 | 553063 | 2 | EXTRUSION-AL,99.0,OMEGA STP,BLACK |
| 1 | 553065 | 2 | EXTRUSION-AL,111.0,OMEGA STP,BLACK |
| 1 | 553066 | 2 | EXTRUSION-AL,122.0,OMEGA STP,BLACK |
| 2 | 107957 | 6 | ALUM,STP-PAD,BLK,OMEGA-STEP |
| 3 | 107956 | 4 | CAP-END,PLSTC,2.95 X 6.70 |
| 4 | 106880 | 28 | SCREW-SQ HD,5/16-18 X 1,MAGNIGUARD |
| 5 | 102680 | 28 | NUT-SERR FLG,HX,SST,WX,5/16-18 |
| 6 | 107958 | 30 | SCREW-PPH,TEK,#8-18 X 1/2",SST,BZP |



STEP PAD LOCATION GUIDE



| VEHICLE MODEL | PAD A | PAD B |
|--|--------|---------|
| SILVERADO/SIERRA DOUBLE CAB | 14-3/4 | 46-3/4 |
| SILVERADO/SIERRA EXTENDED CAB | 14-3/4 | 41-3/4 |
| SILVERADO/SIERRA CREW CAB | 14-3/4 | 54-1/4 |
| CHEVROLET EXPRESS VAN & GMC SAVANA VAN | 7-1/2 | N/A |
| RAM QUAD CAB | 10-1/2 | 46 |
| RAM CREW CAB | 10-1/2 | 48 |
| RAM MEGA CAB | 10-1/2 | 52-1/16 |
| FORD F150 SUPER CAB | 18-1/4 | 46-1/4 |
| FORD F150 SUPER CREW CAB | 18-1/4 | 56-1/2 |
| FORD F150 SUPER CREW CAB | 18-1/4 | 56-1/2 |
| FORD SUPER DUTY SUPER CAB | 6-7/8 | 39-1/16 |
| FORD SUPER DUTY CREW CAB | 6-7/8 | 52-7/8 |
| FORD | 7-1/2 | N/A |

NOTE: THE ABOVE PAD LOCATIONS ARE ONLY SUGGESTIONS AND MAY BE PLACED AT THE PURCHASERS DISCRETION.

INSTALLATION INSTRUCTIONS AND PARTS LIST

MODEL 570125 MEGA STEPS

VEHICLE APPLICATION:

2001 AND NEWER FORD VANS

READ INSTRUCTIONS COMPLETELY AND CHECK TO MAKE SURE THAT ALL REQUIRED PARTS (LISTED ON SERVICE PARTS LIST) ARE ON HAND BEFORE STARTING THE INSTALLATION.

1. ON THE PASSENGERS SIDE OF THE VEHICLE, REMOVE THE TAPE THAT IS COVERING THE MOUNTING HOLES IN THE INSIDE QUARTER PANEL (FIVE LOCATIONS).
2. INSTALL THE SHORT 5/16-18" MULTI THREAD U-NUTS (ITEM #11) IN THE RECTANGULAR AND ROUND HOLES AT THE 1ST, 3RD, 4TH, & 5TH HOLES FROM THE FRONT. INSTALL THE LONG 5/16-18" MULTI THREAD U-NUT (ITEM #12) IN THE RECTANGULAR AND ROUND HOLE AT THE 2ND SET OF HOLES FROM THE FRONT.
3. INSTALL THE MOUNTING BRACKETS (ITEMS #2, #4, #6 & #7) USING THE 5/16-18 X 1" HEX BOLTS (ITEM #8), 5/16" FLAT WASHERS (ITEM #15) AND 5/16" LOCK WASHERS (ITEM #16) AS SHOWN IN FIG. 1. INTO THE MULTI THREAD U-NUTS. FINGER TIGHTEN ONLY AT THIS TIME.
4. INSTALL THE 5/16-18 X 1" HEX BOLTS (ITEM #8), 5/16" FLAT WASHERS (ITEM #15) AND BLACK PLATED 5/16" SERRATED FLANGE NUTS (ITEM #14) THROUGH THE HOLES IN THE LOWER PINCH WELD AND THE BRACKET AS SHOWN IN FIG. 1. FINGER TIGHTEN ONLY AT THIS TIME.
5. MAKE SURE THE TWO FRONT BRACKETS ARE UP TIGHT AGAINST THE VEHICLE SURFACE AT THE TOP AND TIGHTEN THE BOLT THAT GOES THROUGH THE PINCH WELD.
6. INSTALL FIVE SQUARE HEAD SCREWS, 5/16-18 X 1" (ITEM #9) IN THE FRONT TRACK OF THE STEP PLATES. (**NOTE:** THERE ARE ONLY FOUR SCREWS IN THE BACK CHANNEL OF THE MEGA STEPS SO USE ONLY ONE SCREW IN THE CENTER BRACKET.)
7. POSITION THE MEGA STEP ON THE MOUNTING BRACKETS SO THAT THE SQUARE HEAD SCREWS ARE LOCATED IN THE SLOTS OF THE MOUNTING BRACKETS AND THE STEP IS CENTERED, FRONT TO REAR, ON THE VEHICLE. INSTALL 5/16" SERRATED FLANGE NUTS (ITEM #13) ON THE SQUARE HEAD SCREWS. FINGER TIGHTEN ONLY AT THIS TIME.
8. ALIGN THE STEP PLATE WITH THE BOTTOM OF THE BODY SHEET METAL. THE BOTTOM EDGE OF THE MOUNTING BRACKET FLANGES SHOULD BE EVEN WITH THE BOTTOM EDGE OF THE PINCH WELD ON THE VEHICLE. TIGHTEN THE BOLTS FROM THE STEP PLATE TO THE FRAME TO 19 FOOT POUNDS OF TORQUE.
9. TIGHTEN THE BODY MOUNTING BOLTS TO 19 FOOT POUNDS OF TORQUE.
10. ON THE LEFT SIDE (DRIVERS SIDE), HOLES ARE ONLY PROVIDED FOR THE FRONT TWO BRACKETS. MOUNT THEM THE SAME AS THE RIGHT SIDE FRONT BRACKETS WERE MOUNTED.
11. MOUNT ONE OF THE (ITEM #6) BRACKETS TO THE END OF THE STEP PLATE AS SHOWN IN FIG. 1. (**NOTE:** THE HOLES THROUGH THE FLANGE OF THE THREE REAR BRACKETS SHOULD BE 51-1/2", 73-1/4" AND 92-1/8" FROM THE FRONT. CHECK THE PASSENGERS SIDE OF THE VEHICLE FOR THE LOCATIONS.



(A LIVERNE Company)

1200 E. Birch St.

Brandon, SD 57005

551796 SHEET 1 OF 3 09MAY08

12. SET THE OTHER END OF THE STEP PLATE ON THE FRONT BRACKETS AND CLAMP THE REAR MOUNTING BRACKET TO THE PINCH WELD SO THE BOTTOM EDGE OF THE FLANGE IS FLUSH WITH THE PINCH WELD.
13. INSTALL THE TWO REMAINING BRACKETS (ITEM #6 & #7) TO THE STEP PLATE THEN CLAMP THEM TO THE PINCH WELD.
14. USING THE HOLES IN THE BRACKET AS A GUIDE DRILL Ø11/32" HOLES THROUGH THE CENTER OF THE PINCH WELD.
15. FASTEN THE BRACKETS TO THE PINCH WELD WITH THE 5/16-18 X 1" HEX BOLTS (ITEM #8), 5/16" FLAT WASHERS (ITEM #15) AND BLACK PLATED 5/16" SERRATED FLANGE NUTS (ITEM #14). FINGER TIGHTEN ONLY AT THIS TIME.
16. USING THE TOP HOLES IN THE BRACKET AS A GUIDE, DRILL Ø17/64" HOLES THROUGH THE INSIDE BODY PANEL AND INSTALL THE 5/16 X 1" WASHER HEAD SCREWS (ITEM #10), 5/16" FLAT WASHERS (ITEM #15) AND 5/16" LOCK WASHERS (ITEM #16) AS SHOWN IN FIG. 1.
17. TIGHTEN ALL BOLTS TO 19 FOOT POUNDS OF TORQUE.

SERVICE PARTS LIST

| ITEM | PART NO. | QTY | DESCRIPTION |
|------|----------|-----|---|
| 1 | 575098 | 1 | STEP ASSY- 98.00" (MOD. 575098) |
| 2 | 551789 | 1 | MOUNTING BRACKET – FRONT, RH |
| 3 | 551790 | 1 | MOUNTING BRACKET - FRONT, LH |
| 4 | 551791 | 1 | MOUNTING BRACKET – CENTER, RH |
| 5 | 551792 | 1 | MOUNTING BRACKET – CENTER, LH |
| 6 | 551793 | 3 | MOUNTING BRACKET – REAR, RH |
| 7 | 551794 | 3 | MOUNTING BRACKET – REAR, LH |
| 8 | 106997 | 17 | SCREW – HHC, 5/16-18" X 1", BZP |
| 9 | 106880 | 24 | SCREW-SQUARE HD,5/16-18 X 1" |
| 10 | 105537 | 3 | SCREW-HEX WASHER HD,5/16" X 1", TF, AB, SST |
| 11 | 104264 | 5 | U-NUT – MULTI THREAD, 5/16-18" |
| 12 | 105541 | 2 | U-NUT – MULTI THREAD, 5/16-18", LONG |
| 13 | 102680 | 20 | NUT – SERRATED FLANGE, 5/16-18", SST |
| 14 | 106996 | 10 | NUT – SERRATED FLANGE, 5/16-18", BZP, SST |
| 15 | 106998 | 30 | FLAT WASHER - 5/16", SST, BZP |
| 16 | 102668 | 10 | LOCK WASHER - 5/16", SST |



(A LUVERNE Company)

1200 E. Birch St.

Brandon, SD 57005

551796 SHEET 2 OF 3 09MAY08

SERVICE PARTS LIST

MODEL NO. - 570125

LEFT SIDE (DRIVER)

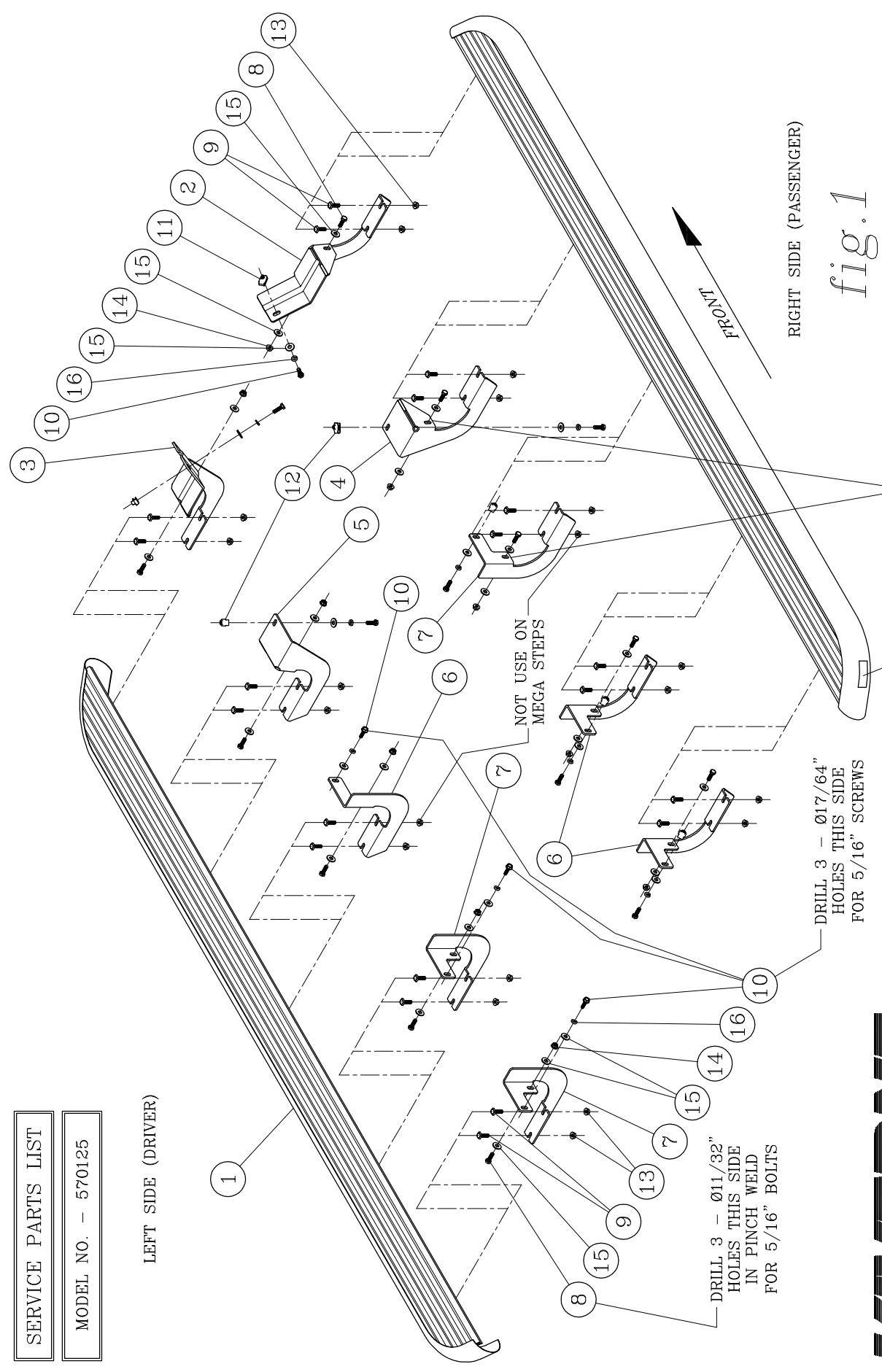


fig.1

RIGHT SIDE (PASSENGER)

THE BOTTOM EDGE OF THIS FLANGE ON ALL OF THE MOUNTING BRACKETS SHOULD BE APPROXIMATELY EVEN WITH THE BOTTOM OF THE PINCH WELD.

LUVERNE LOGO SHOULD BE TOWARD REAR OF VEHICLE



1200 E. Birch St.
Brandon, SD 57005