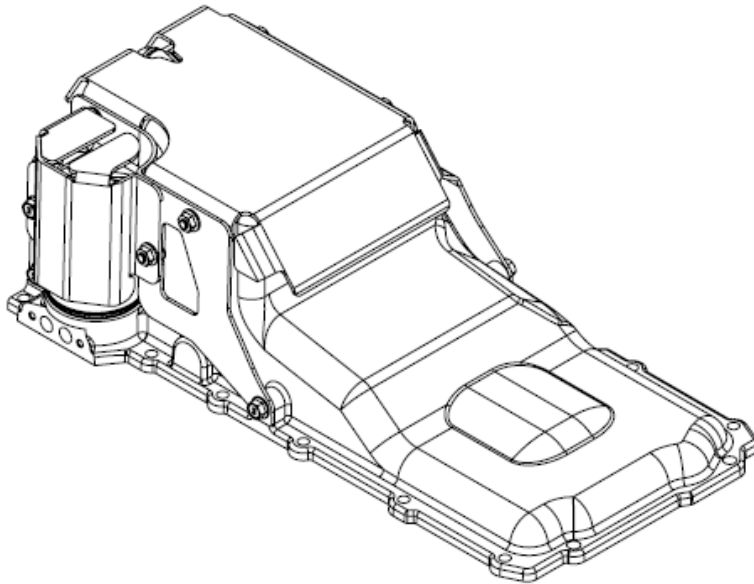




302-35 Off-Road Rock Shield



Introduction:

Holley's Rock Shield provides extra protection for our line of off-road oil pans and installs easily with the use of basic hand tools.

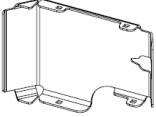

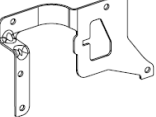





Application Notes:

The 302-35 Off-Road Rock Shield works with P/N 302-4, 302-4BK, 302-24, & 302-24BK oil pans.

Parts Needed:

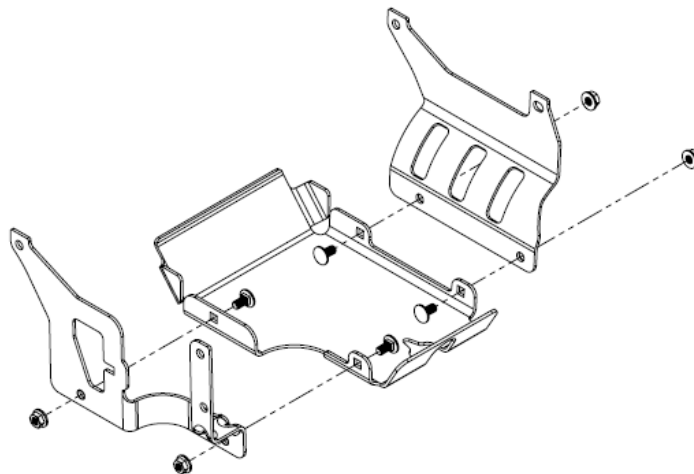
- Thread locking compound (Blue Loctite® or equivalent)

Bill of Materials:

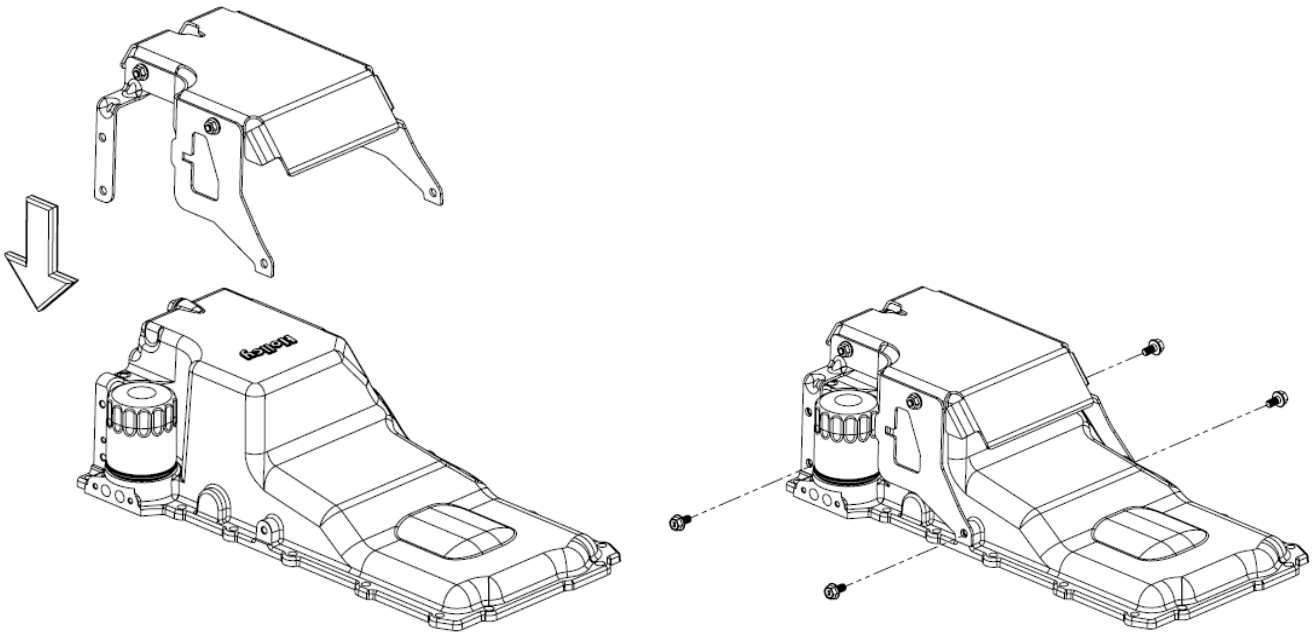
Item	QTY	Description	Application
	1	Rock Shield	Bottom
	1	Rock Shield	Passenger Side
	1	Rock Shield	Driver Side
	1	Rock Shield	Filter Cover
	5	Carriage Bolt M8 x 1.25 x 16	Bottom Shield/ Filter Shield
	5	Hex Flange Nut M8 x1.25	Bottom Shield/ Filter Shield
	4	Flange Head Bolt M8 x 1.25 x 16	Side Shields
	1	Flange Head Bolt M8 x 1.25 x 20	Filter Shield

INSTALLATION:

1. Pre-assemble main shield components. Tighten fasteners down completely, ensuring that the head of the carriage bolt is flat against the sheet metal. Then, loosen nuts 1 turn.

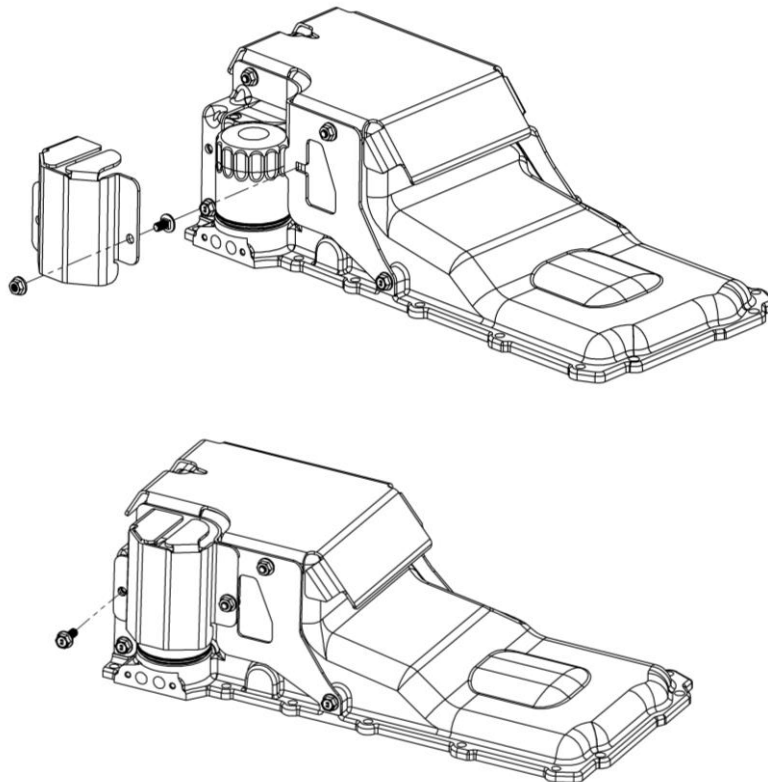


2. Bolt the shield assembly onto oil pan using the M8 x 16 Flange Head Bolts, leaving them finger tight.



NOTE: Starting with the bolts and then the nuts. Torque fasteners to 18 ft./lbs

3. Install oil filter guard by first installing the carriage bolt and nut to the cover. Leaving them loose, slide the carriage bolt shoulder into the slot on the pan guard and then install the M8 x 20 bolt in the rear mounting hole.



NOTE: Starting with the bolt, torque fasteners to 18 ft./lbs

Holley® Performance Products, Inc.
1801 Russellville Road
Bowling Green, KY 42101

Technical Support: 1-866-464-6553
Phone: 1-270-781-9741
www.holley.com

© 2022 Holley Performance Products, Inc. All rights reserved. Tous Droits Réservés.

199R12453
Date: 12-8-22