

2002 CHEVROLET AVALANCHE FRONT AND REAR GUARD SET INSTALLATION INSTRUCTIONS

Please read instructions thoroughly before installation.

Tools Required:

- 1/8" drill bit / Drill
- Center punch / Hammer
- Short Phillips screwdriver
- Marking utensil (fine tip marker, grease pencil, etc.)

Package Contents

- Driver & passenger side mud guard
- 1" #10 screws (qty. 6)
- Instruction sheet

NOTE: It may be necessary to remove the wheels depending on the tools being used for installation.

1. Clean and degrease the mud guard location area on the fender before installation.
2. Hold mud guard to fender and make sure mud guard is level and centered over tire tread.
3. Using mud guard as a template, mark, center punch, and drill 1/8" holes at locations A, B, and C.
4. Attach mud guard to fender with #10 screws at locations A, B and C.

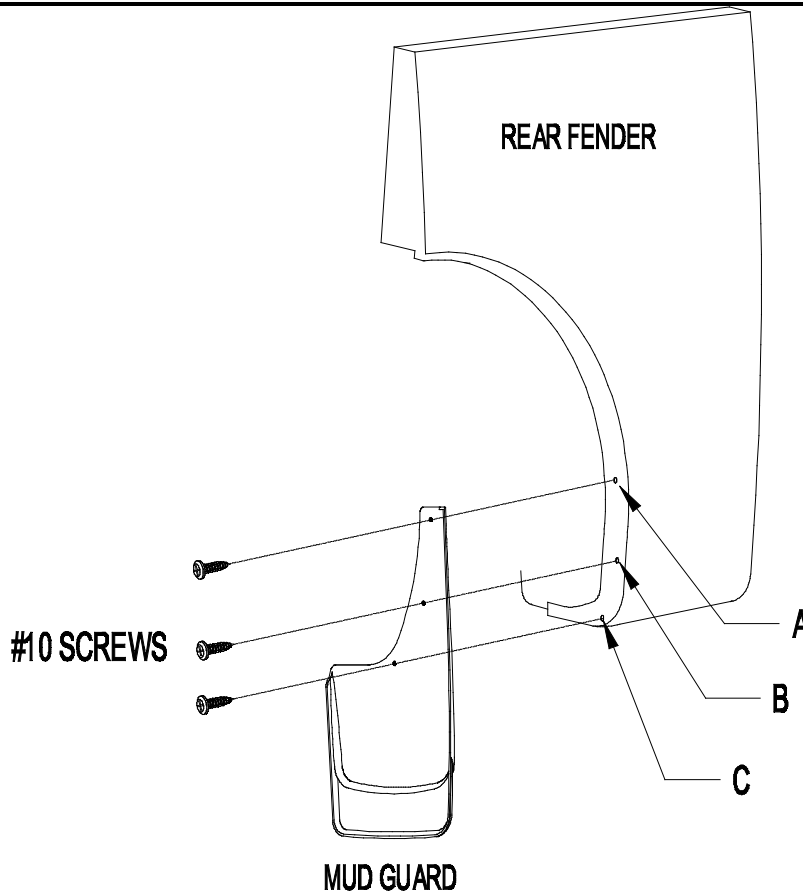


Figure 1

PAINTING INSTRUCTIONS

1. Clean mud guard with a soap and water solution to remove dirt and other contaminants.
2. Sand painting surface with 320 grit sand paper.
3. Apply a coating of flexible primer-adhesion promoter.
4. Apply a flexible paint as directed by the paint manufacturer