

## CHEVY SILVERADO FRONT MUD GUARD - INSTALLATION INSTRUCTIONS

---

*Please read instructions thoroughly before installation.*

---

### Tools Required

- TX 15 Torx Head Bit / Driver

### Package Contents

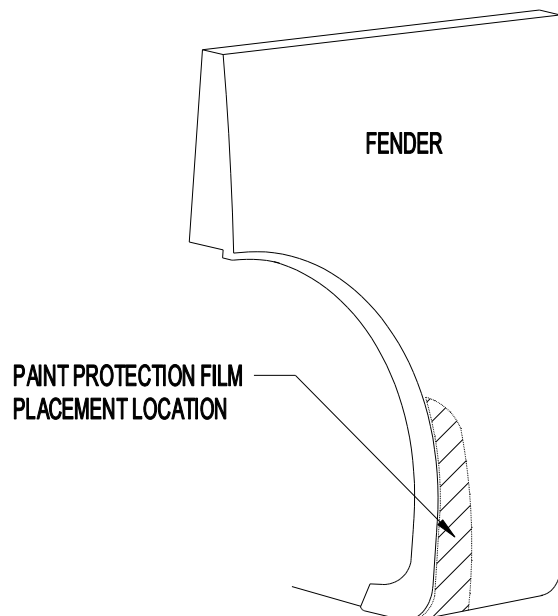
- Driver & passenger side front mud guards
- Paint Protection Film (1 set)
- Instruction sheet

### PAINT PROTECTION FILM - INSTALLATION

---

**NOTE:** *The Paint Protection Film is a precut template of film used to protect the mud guard mounting surfaces of your fenders against wear. The templates (left and right side) can be removed from the backing liner by folding the liner at the center cut of the template, separating the film sides and peeling the film templates from the backing liner.*

1. Position mud guard on fender to indicate placement location of paint protection film.
  2. Clean the placement area of fender with a clean cotton cloth and a petroleum distillate based cleaner such as DuPont Prep-Sol Brand Solvent Cleaner or 3M Brand Adhesive Cleaner and dry.
  3. Mix a wetting solution of 1 pint of water with 4 drops of liquid dishwashing detergent.
  4. Mark correct position of film by placing mud guard against fender.
  5. Remove protection film from liner and flood adhesive side of film with wetting solution (use a spray bottle or sponge).
  6. Thoroughly wet film placement location of fender with wetting solution.
  7. Position the adhesive side of film on fender and flood with wetting solution.
  8. Check location of film with mud guard and reposition as necessary.
  9. Using a sponge, squeegee any air bubbles and wrinkles from film.
  10. Allow film to dry before installing mud guard.
- 



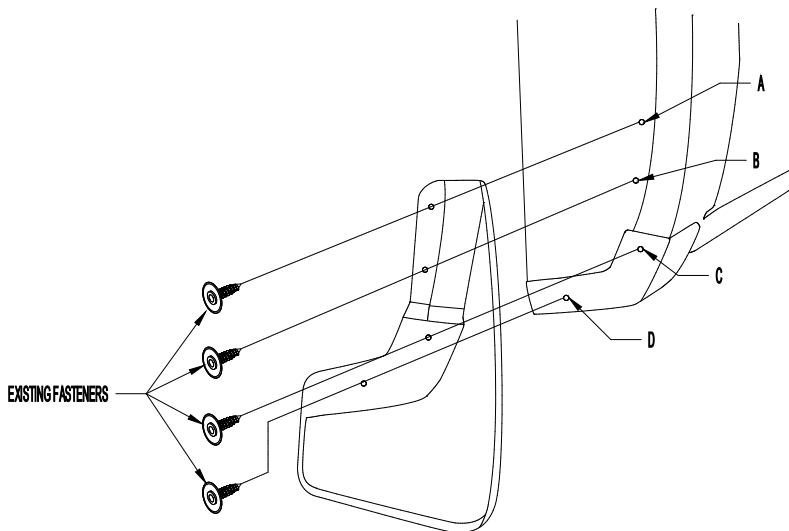
## MUD GUARD INSTALLATION

---

**NOTE:** Turn front wheels left or right to allow clearance for mud guard installation. It may also be necessary to remove the wheels before mud guard installation.

Determine which mudguard you have by locating the part number molded in the mounting flange (5688 LH 5688 RH).

1. Remove the existing fasteners from locations A, B, C and D.
  2. Attach mudguard with factory fasteners at locations A, B, C and D.
- 



## PAINTING INSTRUCTIONS

---

1. Clean mud guard with soap and water to remove dirt and other contaminants.
2. Sand painting surface with 320 grit sand paper.
3. Apply a coating of flexible primer-adhesion promoter.
4. Apply a flexible paint as directed by the paint manufacturer.

## CHEVY SILVERADO REAR MUD GUARD - INSTALLATION INSTRUCTIONS

***Please read instructions thoroughly before installation.***

### **Tools Required**

- TX 15 Torx Head Bit / Driver
- Short Phillips screwdriver (For optional Install)
- 1/8" Drill bit / Driver (For optional Install)

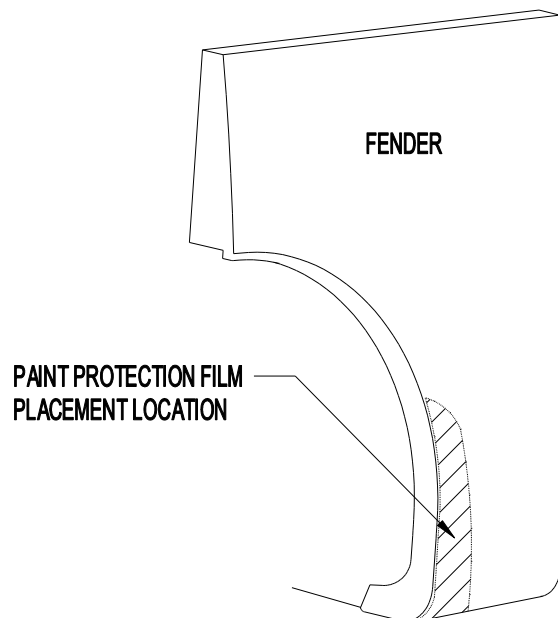
### **Package Contents**

- Driver & passenger side rear mud guards
- #8 SEM SCREWS (Qty 2)
- Spring Clip (Qty 2)
- Paint Protection Film (1 set)
- Instruction sheet

### **PAINT PROTECTION FILM - INSTALLATION**

***NOTE: The Paint Protection Film is a precut template of film used to protect the mud guard mounting surfaces of your fenders against wear. The templates (left and right side) can be removed from the backing liner by folding the liner at the center cut of the template, separating the film sides and peeling the film templates from the backing liner.***

1. Position mud guard on fender to indicate placement location of paint protection film.
2. Clean the placement area of fender with a clean cotton cloth and a petroleum distillate based cleaner such as DuPont Prep-Sol Brand Solvent Cleaner or 3M Brand Adhesive Cleaner and dry.
3. Mix a wetting solution of 1 pint of water with 4 drops of liquid dishwashing detergent.
4. Mark correct position of film by placing mud guard against fender.
5. Remove protection film from liner and flood adhesive side of film with wetting solution (use a spray bottle or sponge).
6. Thoroughly wet film placement location of fender with wetting solution.
7. Position the adhesive side of film on fender and flood with wetting solution.
8. Check location of film with mud guard and reposition as necessary.
9. Using a sponge, squeegee any air bubbles and wrinkles from film.
10. Allow film to dry before installing mud guard.



## MUD GUARD INSTALLATION

---

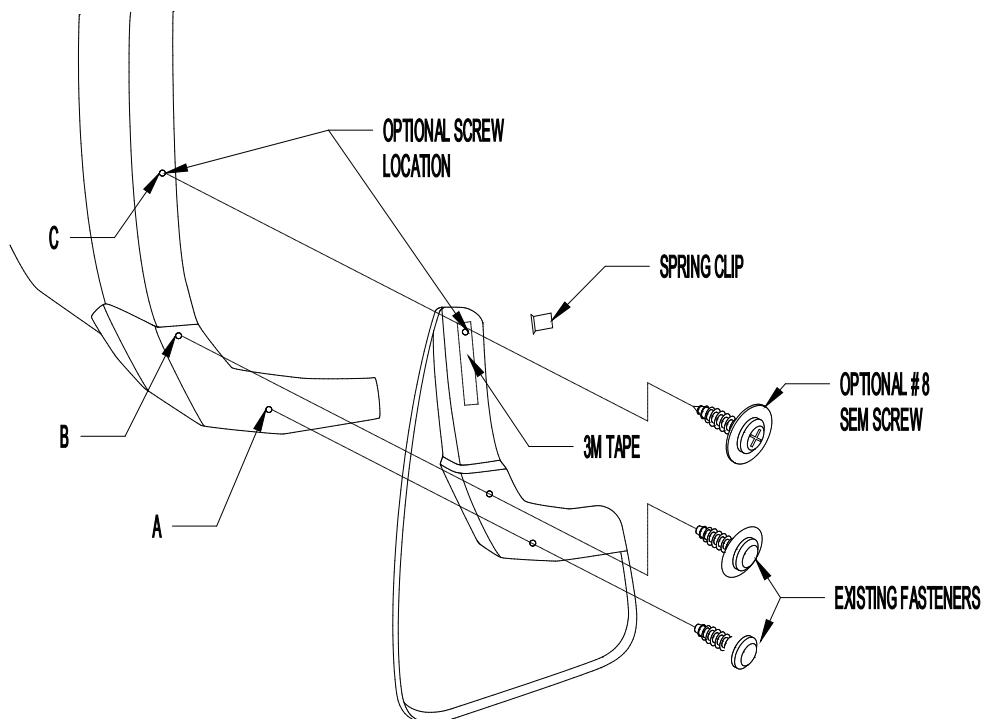
**NOTE:** It may be necessary to remove the wheels before mud guard installation.

Determine which mudguard you have by locating the part number molded in the mounting flange (5788 LH 5788 RH).

1. Remove the existing fasteners from locations A and B.
2. Peel red backing from the 3M adhesive strip on the mud guard
3. Carefully align mud guard; starting at the bottom of the fender working your way up applying pressure to set the adhesive.
4. Install factory fasteners at locations A and B.
5. Install the spring clip at location C, over the mudguard and the fender lip and align with the tic marks molded in the mudguard.

**NOTE:** Supplied with your mudguards is an optional #8 SEM screw for location C that can be used in place of the 3M tape. Using the mud guard as a template, drill an 1/8" hole through the sheet metal at location C and install the #8 SEM screw.

---



---

## PAINTING INSTRUCTIONS

1. Clean mud guard with soap and water to remove dirt and other contaminants.
2. Sand painting surface with 320 grit sand paper.
3. Apply a coating of flexible primer-adhesion promoter.
4. Apply a flexible paint as directed by the paint manufacturer.