

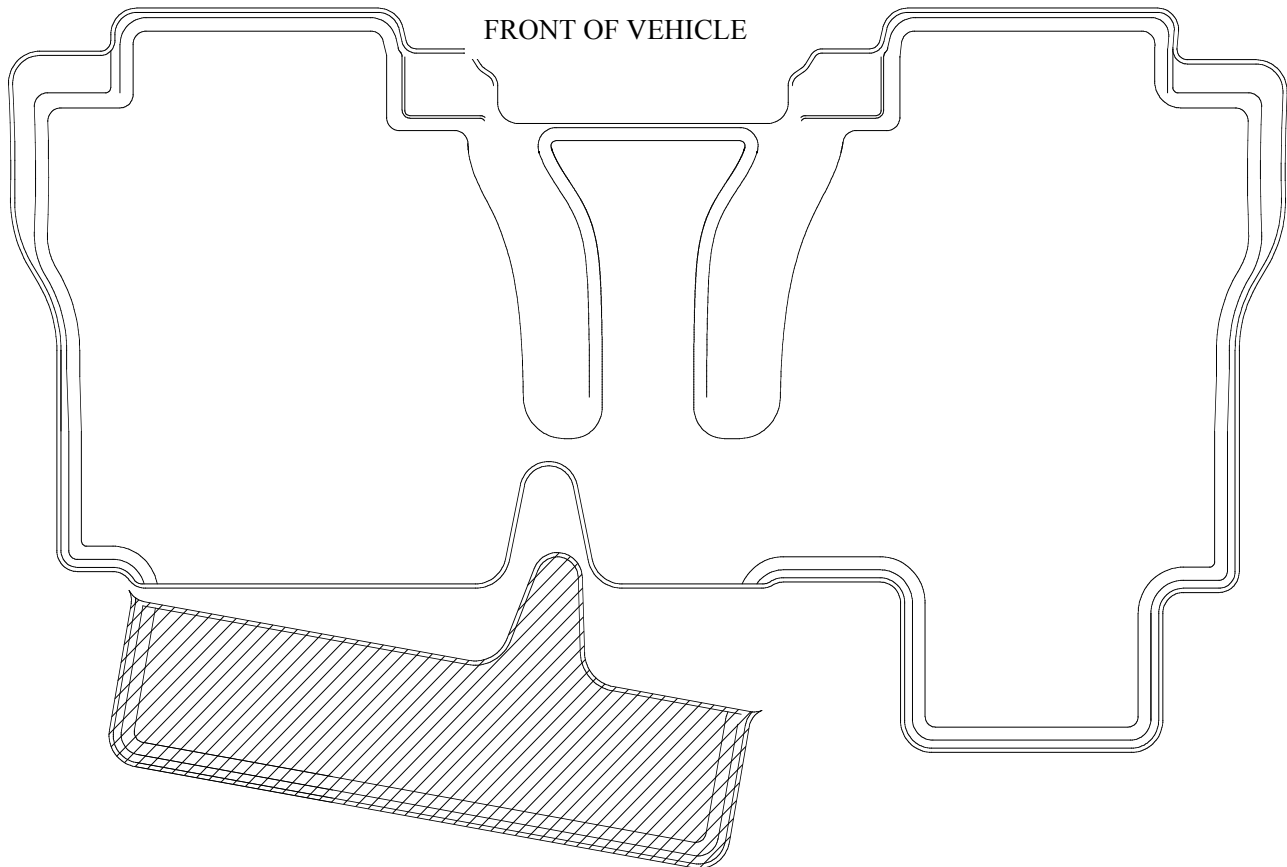
THANK YOU FOR SELECTING A HUSKY FLOOR LINER FROM WINFIELD CONSUMER PRODUCTS

CARE AND USE INSTRUCTIONS

Your new floor liner is custom molded to fit your particular vehicle. The liner is made to take the place of your factory floor mats. For correct fit, it is necessary to remove the factory floor mats before installing your new floor liner. *However, do not remove the factory-installed carpeting.*

Your liner is made from an engineering resin that is lightweight and extremely tough and durable. The easiest way to clean your liner is with a damp cloth or sponge. If using a cleaner, 409® or Glass Plus® work well. Use of Armor All®, Son-of-a-Gun® or similar items is discouraged as these products make the liner slick.

INSTALLATION INSTRUCTIONS FOR YOUR TOYOTA TUNDRA DOUBLE CAB SECOND SEAT FLOOR LINER



IF YOUR TUNDRA DOUBLE CAB HAS THE OPTIONAL JBL® AUDIO SYSTEM, IT HAS A SUBWOOFER MOUNTED UNDER THE REAR DRIVER'S SIDE SEAT. YOU WILL NEED TO TRIM YOUR LINER TO ACCOMMODATE THIS FEATURE. YOUR LINER IS DESIGNED TO MAKE THIS TRIM EASY TO ACCOMPLISH. SIMPLY TRIM YOUR LINER AS SHOWN ABOVE USING THE MOLDED IN STEP IN THE LINER AS YOUR TRIMMING GUIDE. PHOTOS OF THE TRIMMED PART ARE SHOWN ON THE BACK AS WELL. A UTILITY KNIFE OR HEAVY SHEARS WORK WELL FOR TRIMMING.



PHOTO SHOWING PART #6558—TOYOTA DOUBLE CAB—TRIMMED FOR THE OPTIONAL JBL® AUDIO SYSTEM. NOTE LINER IS TRIMMED USING THE MOLDED IN STEP AS THE TRIM GUIDE.

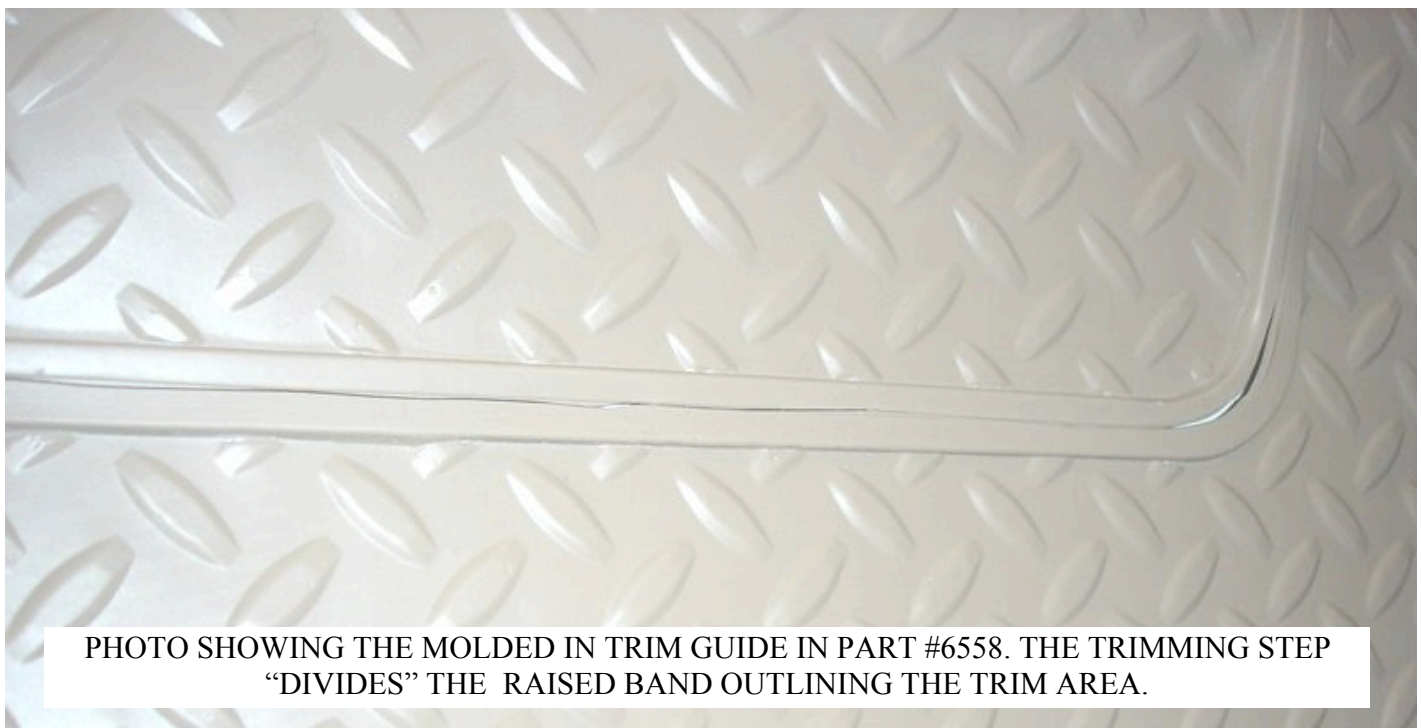


PHOTO SHOWING THE MOLDED IN TRIM GUIDE IN PART #6558. THE TRIMMING STEP “DIVIDES” THE RAISED BAND OUTLINING THE TRIM AREA.