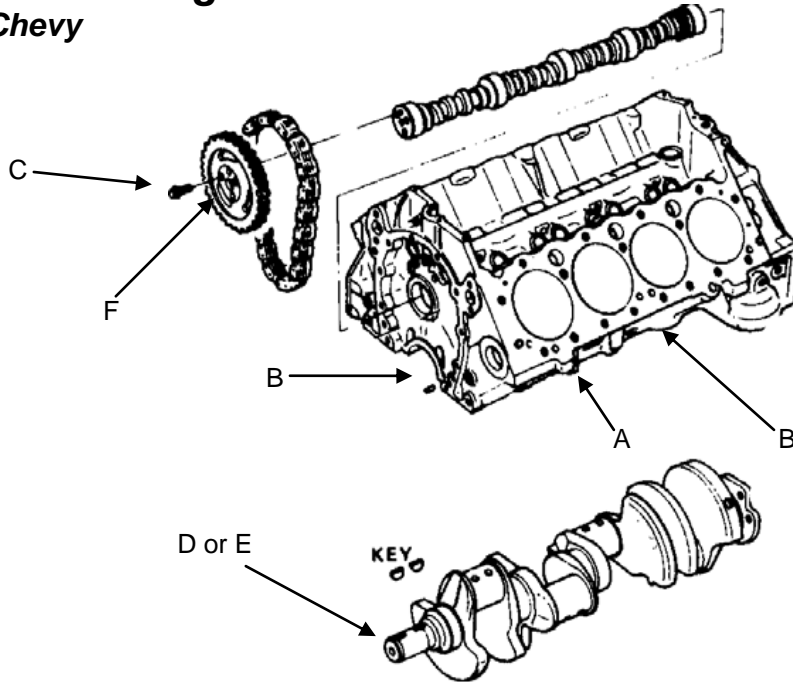


**Installation Instructions for 20308**  
**Engine Finishing Kit**  
**SB-BB Chevy**



Location	Qty	Contents	Description
A	4	Ground Dowel	0.309" x 0.565" L
B	2	SBC/Block Head Dowel	0.2466" x 0.630"
C	3	Cam Bolt	5/16"-18 x 3/4" Cap Screw, Hex Drive
D	1	Woodruff Key	3/16" x 1-3/8"
E	2	Woodruff Key	3/16" x 3/4"
F	1	Cam Locking Retainer	3 Bolt Plate

\*All components should be assembled per O.E.M. recommendations.