

Installation Instructions for 30550 2-1/2" Muscle Car Header Dual Kits

Application: 1967-81 Camaro & Firebird, 1962-79 Nova & Chevy II, 1972-79 Phoenix & Ventura, 1973-79 Omega, 1975 Apollo & 1975-79 Skylark (67-81 GM F-Body & 62-79 GM X-Body)

NOTE: This kit fits all listed V-8s with standard headers and with 3" collectors at the headers. The catalytic converters are not supplied with this exhaust system. This system is not legal for on-road use on vehicles that originally were equipped with a catalytic converter. Headers are not included in this kit.

Kit Includes:

- | | |
|--------------------------|--------------------------------------|
| 4) ST4 Hangers | 1) Left Collector Pipe |
| 4) Snapper Grommets | 1) Right Collector Pipe |
| 4) 5/16" X 1" Lag Screws | 1) Left Front Extension Pipe |
| 8) 2-1/2" Clamps | 1) Right Front Extension Pipe |
| 2) F33 Flanges | 1) Left Tail Pipe |
| 6) 3/8" Nuts | 1) Right Tail Pipe |
| 6) 3/8" Lock Washers | 2) #911 Single Offset Turbo Mufflers |
| 6) 3/8" x 1-1/4" Bolts | 2) #MP48005 3" Collector Gaskets |

DANGER WARNING:

Should the purchaser decide to install this exhaust product at home, be warned that pleasure car or light duty truck/van "bumper" jacks are intended for emergency use only. The use of frame contact jack stands in conjunction with a floor jack as main support is highly recommended to minimize accidental dropping of a vehicle while the installation proceeds. We recommend the use of a shop hoist if possible. Please use caution!

Limitation of Liability–Disclaimers: The regulation of emissions production, noise levels and safety standards is undertaken by the federal government, each of the fifty state legislatures, and by many local municipalities, towns and counties.

The manufacturer makes no warranties of merchantability, of fitness for a particular purpose, or that its products are approved for general use, or that its products comply with laws, regulations or ordinances in the states where they may be sold to the ultimate purchaser, the consumer.

The entire risk as to the conformity of this product in any such state and as to repair, should the product prove to be defective or non-conforming, is on the retail purchaser, the buyer, the ultimate consumer of such product and it is not upon the seller, distributor, or manufacturer.

In this connection, retail purchaser, the buyer, the ultimate consumer assumes the burden of the entire cost of any and all necessary service, alterations, and or repair.

The foregoing statement limits the liability of the manufacturer.

California vehicle code section 27156 prohibits the advertising, offering for sale, or installation of any device which modifies a vehicle's emission control system. This product is, therefore, not legal for sale or use in California on vehicles equipped with catalytic converters.

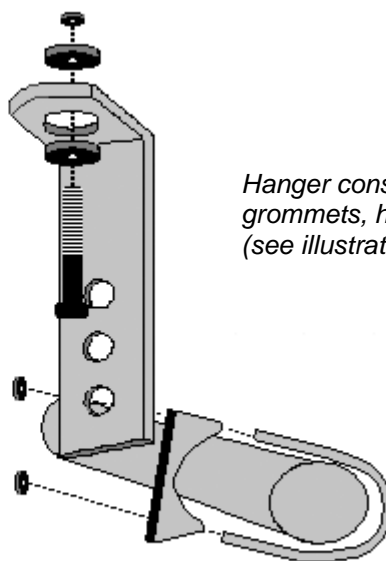
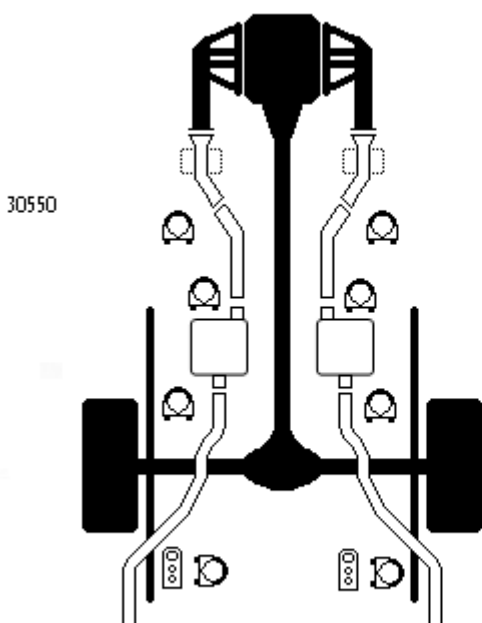
NOTE: DO NOT TIGHTEN ANY BOLTS OR CLAMPS UNTIL THE LAST STEP!

1. Remove the old exhaust system after the headers. Remove the old hangers and brackets.
2. Install the left and right collector pipes using the MP48005 gaskets and F33 flanges. Tighten only enough to hold in place, using the 3/8" x 1-1/4" bolts and nuts. NOTE: For vehicles requiring catalytic converters to meet EPA guidelines, catalytic converter #73-7774 or equivalent should be installed on the header collector pipes after the header collectors on the collector pipes.
3. Install the left and right front extension pipes to the collector pipes using 2-1/2" clamps. Be sure to leave adequate clearance between the floor boards and the drive shaft. NOTE: The extension pipes may be shortened to fit various header designs or different length mufflers.
4. Install the turbo mufflers onto the front extension pipes using 2-1/2" clamps. Rotate the front extension pipes to clear the driveshaft, frame, and general clearance.



1-800-345-4545 jeps.com

5. Mount the hanger brackets to the existing holes in the frame behind the rear axle using the lag screws and the snapper grommet (see drawing). The hangers should be installed to the tail pipes where the tail pipes cross under the frame. Two additional hangers have been included to use at your preferred locations.
6. Install the left and right tail pipes to the mufflers using 2-1/2" clamps. Use a 2-1/2" clamp to connect the pipes and a hanger.
7. Make sure that all the parts of the system are clear of frame members, hoses, suspension, and brake and fuel lines. Starting at the collector pipes, tighten all connections and nuts. Make sure all parts are clearing and will not leak or rattle. After several days of driving, retighten all bolts.



Hanger consists of a strap hanger, grommets, hardware, and clamp (see illustration)

Installation Instructions for 30551/30524 2-1/2" Muscle Car Header Dual Kits

Application: 1964-72 Chevelle, Malibu & El Camino, '65-72 Skylark, GS, Cutlass & 442, '66-72 Le Mans, Tempest & GTO, '69-72 Grand Prix & '70-72 Monte Carlo (GM A-Body)

NOTE: This kit fits all listed V-8s with standard headers and with 3" collectors at the headers. Headers are not included in this kit.

Kit Includes:

- | | | |
|---------------------------|-----------------------------|---------------------------------------|
| 2) LB9 Hangers | 1) Left Collector Pipe | 2) Snapper Grommets |
| 2) BR1 Hangers (BR755) | 1) Right Collector Pipe | 2) MP48005 3" Collector Gaskets |
| 2) THU400 Hangers (BR104) | 1) Left Tail Pipe | 10) 2-1/2" Clamps |
| 6) 3/8" Nuts | 1) Right Tail Pipe | 2) F33 Flanges |
| 6) 3/8" x 1-1/4" Bolts | 1) Left Over-The-Axle Pipe | 2) #920 Dbl. Offset Turbo Mufflers |
| 6) 3/8" Lock Washers | 1) Right Over-The-Axle Pipe | 2) Fender Washers |
| 2) 5/16" Nuts | 4) 5/16" x 1" Lag Screws | 2) Left & Right Front Extension Pipes |
| 2) 5/16" x 1" Bolts | | |

DANGER WARNING:

Should the purchaser decide to install this exhaust product at home, be warned that pleasure car or light duty truck/van "bumper" jacks are intended for emergency use only. The use of frame contact jack stands in conjunction with a floor jack as main support is highly recommended to minimize accidental dropping of a vehicle while the installation proceeds. We recommend the use of a shop hoist if possible. Please use caution!

Limitation of Liability–Disclaimers: The regulation of emissions production, noise levels and safety standards is undertaken by the federal government, each of the fifty state legislatures, and by many local municipalities, towns and counties.

The manufacturer makes no warranties of merchantability, of fitness for a particular purpose, or that its products are approved for general use, or that its products comply with laws, regulations or ordinances in the states where they may be sold to the ultimate purchaser, the consumer.

The entire risk as to the conformity of this product in any such state and as to repair, should the product prove to be defective or non-conforming, is on the retail purchaser, the buyer, the ultimate consumer of such product and it is not upon the seller, distributor, or manufacturer.

In this connection, retail purchaser, the buyer, the ultimate consumer assumes the burden of the entire cost of any and all necessary service, alterations, and or repair.

The foregoing statement limits the liability of the manufacturer.

California vehicle code section 27156 prohibits the advertising, offering for sale, or installation of any device which modifies a vehicle's emission control system. This product is, therefore, not legal for sale or use in California on vehicles equipped with catalytic converters.

NOTE: DO NOT TIGHTEN ANY BOLTS OR CLAMPS UNTIL THE LAST STEP!

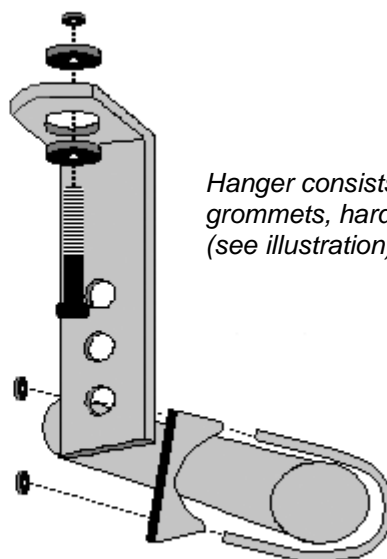
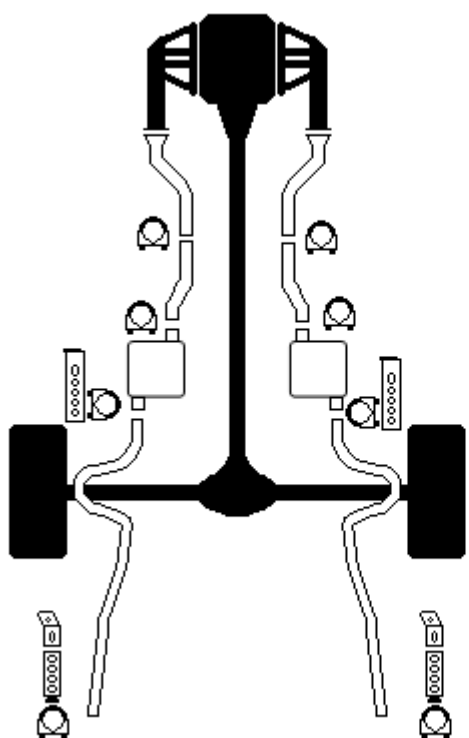
1. Raise the automobile in a safe and suitable manner—support with jack stands onto the frame.
2. Remove the old exhaust system after the headers. Remove the old hangers and brackets if desired. New universal hangers are included in this kit to replace the original hangers.
3. Install the left and right collector pipes using the MP48005 gaskets and F33 flanges. Tighten only enough to hold in place, using the 3/8" x 1-1/4" bolts and nuts.
4. Install the left and right front extension pipes to the collector pipes using 2-1/2" clamps. Be sure to leave adequate clearance between the floor boards and the drive shaft.



1-800-345-4545 jeps.com

5. Install the turbo mufflers onto the front extension pipes using 2-1/2" clamps. Rotate the front extension pipes to clear the driveshaft, frame, and general clearance.
6. Mount the hanger brackets if necessary to the frame using the LB9 strap with the grommets and lag screw behind the mufflers, and the BR1 bracket, lag screw, and THU400 rubber hanger at the end of the tail pipes. Connect the hangers to the pipes using the 2-1/2" clamps.
7. Install the left and right over-the-axle pipes to the mufflers using 2-1/2" clamps. Install the left and right tail pipes to the over-the-axle pipes using 2-1/2" clamps. Use a 2-1/2" clamp to connect the pipes and a hanger at the rear. Cut the tail pipes to your desired length and look.
8. Make sure that all the parts of the system are clear of frame members, hoses, suspension, and brake and fuel lines. Starting at the collector pipes, tighten all connections and nuts. Make sure all parts are clearing and will not leak or rattle. After several days of driving, retighten all bolts.

30551



Hanger consists of a strap hanger, grommets, hardware, and clamp (see illustration)

Installation Instructions for 30552 2-1/2" Muscle Car Header Dual Kits

Application: 1973-77 Chevelle, Malibu, El Camino, Monte Carlo, Cutlass, Century, Regal & Grand Prix, 1973 Le Mans, Tempest (GM A-Body)

NOTE: This kit fits all listed V-8s with standard headers and with 3" collectors at the headers. The catalytic converters are not supplied with this exhaust system. This system is not legal for on-road use on vehicles that originally were equipped with a catalytic converter. Headers are not included in this kit.

Kit Includes:

2) LB9 Hangers	1) Left Collector Pipe	2) Snapper Grommets
2) BR1 Hangers (BR755)	1) Right Collector Pipe	2) MP48005 3" Collector Gaskets
2) THU400 Hangers (BR104)	1) Left Tail Pipe	10) 2-1/2" Clamps
6) 3/8" Nuts	1) Right Tail Pipe	2) F33 Flanges
6) 3/8" x 1-1/4" Bolts	1) Left Over-The-Axle Pipe	2) Fender Washers
6) 3/8" Lock Washers	1) Right Over-The-Axle Pipe	4) 5/16" x 1" Lag Screws
2) 5/16" Nuts	2) Left & Right Front Extension Pipes	
2) 5/16" x 1" Bolts	2) #911 Single Offset Turbo Mufflers	

DANGER WARNING:

Should the purchaser decide to install this exhaust product at home, be warned that pleasure car or light duty truck/van "bumper" jacks are intended for emergency use only. The use of frame contact jack stands in conjunction with a floor jack as main support is highly recommended to minimize accidental dropping of a vehicle while the installation proceeds. We recommend the use of a shop hoist if possible. Please use caution!

Limitation of Liability–Disclaimers: The regulation of emissions production, noise levels and safety standards is undertaken by the federal government, each of the fifty state legislatures, and by many local municipalities, towns and counties.

The manufacturer makes no warranties of merchantability, of fitness for a particular purpose, or that its products are approved for general use, or that its products comply with laws, regulations or ordinances in the states where they may be sold to the ultimate purchaser, the consumer.

The entire risk as to the conformity of this product in any such state and as to repair, should the product prove to be defective or non-conforming, is on the retail purchaser, the buyer, the ultimate consumer of such product and it is not upon the seller, distributor, or manufacturer.

In this connection, retail purchaser, the buyer, the ultimate consumer assumes the burden of the entire cost of any and all necessary service, alterations, and or repair.

The foregoing statement limits the liability of the manufacturer.

California vehicle code section 27156 prohibits the advertising, offering for sale, or installation of any device which modifies a vehicle's emission control system. This product is, therefore, not legal for sale or use in California on vehicles equipped with catalytic converters.

NOTE: DO NOT TIGHTEN ANY BOLTS OR CLAMPS UNTIL THE LAST STEP!

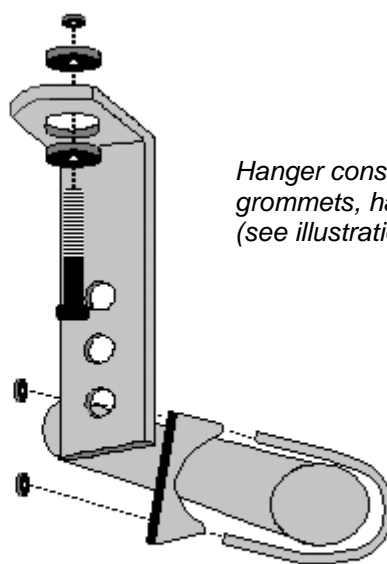
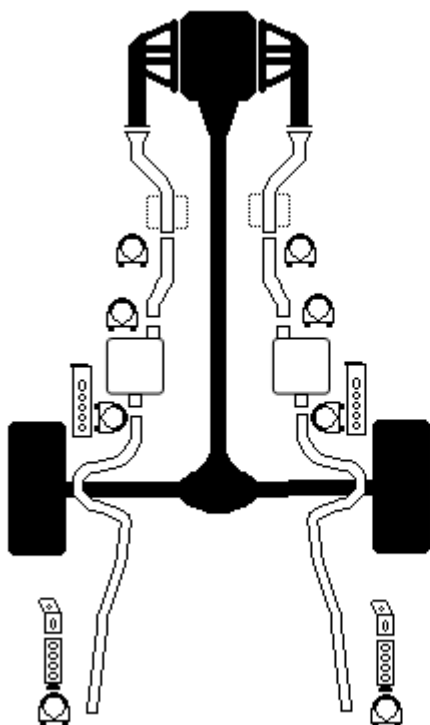
1. Raise the automobile in a safe and suitable manner—support with jack stands onto the frame.
2. Remove the old exhaust system after the headers. Remove the old hangers and brackets if desired. New universal hangers are included in this kit to replace the original hangers.
3. Install the left and right collector pipes using the MP48005 gaskets and F33 flanges. Tighten only enough to hold in place, using the 3/8" x 1-1/4" bolts and nuts. NOTE: For vehicles requiring catalytic converters to meet EPA guidelines, catalytic converter #73-7774 or equivalent should be installed on the header collector pipes after the header collectors on the collector pipes.
4. Install the left and right front extension pipes to the collector pipes using 2-1/2" clamps. Be sure to leave adequate clearance between the floor boards and the drive shaft.



1-800-345-4545 jeps.com

5. Install the turbo mufflers onto the front extension pipes using 2-1/2" clamps. Rotate the front extension pipes to clear the driveshaft, frame, and general clearance.
6. Mount the hanger brackets if necessary to the frame using the LB9 strap with the grommets and lag screw behind the mufflers, and the bracket, lag screw, and THU400 rubber hanger at the end of the tail pipes. Connect the hangers to the pipes using the 2-1/2" clamps.
7. Install the left and right over-the-axle pipes to the mufflers using 2-1/2" clamps. Install the left and right tail pipes to the over-the-axle pipes using 2-1/2" clamps. Use a 2-1/2" clamp to connect the pipes and a hanger at the rear. Cut the tail pipes to your desired length and look.
8. Make sure that all the parts of the system are clear of frame members, hoses, suspension, and brake and fuel lines. Starting at the collector pipes, tighten all connections and nuts. Make sure all parts are clearing and will not leak or rattle. After several days of driving, retighten all bolts.

30552



Hanger consists of a strap hanger, grommets, hardware, and clamp (see illustration)

Installation Instructions for 30553 2-1/2" Muscle Car Header Dual Kits

Application: 1964-68 Mustang 289, 302; 1969 Mustang 390; 1969-73 Mustang 289, 302, 351; 1967-68 Cougar 289, 302, 351 390, 427; 1970-73 Cougar 351, 390, 400

NOTE: This kit fits all listed V-8s with standard headers that exit straight from the motor. This kit will not bolt directly on vehicles with headers that do not exit parallel to the drive shaft (angled exit). Modifications will be necessary for those with the angled exit type header. The catalytic converters are not supplied with this exhaust system. This system is not legal for on-road use for vehicles originally equipped with catalytic converters. Headers are not included in this kit.

Kit Includes:

2) 5/16" Lock Washers	1) Left Collector Pipe	4) 5/16" x 1" Lag Screws
2) BR3 Brackets (BR855)	1) Right Collector Pipe	2) 5/16" Nuts
4) THU400 Rubber Hangers (BR104)	2) F33 Flanges	2) 5/16" x 1" Bolts
2) Left & Right Front Extension Pipes	1) Left Tail Pipe	6) 3/8" Nuts
2) #920 Double Offset Turbo Mufflers	1) Right Tail Pipe	6) 3/8" x 1-1/4" Bolts
2) MP48005 3" Collector Gaskets	8) 2-1/2" Clamps	4) Fender Washers

DANGER WARNING:

Should the purchaser decide to install this exhaust product at home, be warned that pleasure car or light duty truck/van "bumper" jacks are intended for emergency use only. The use of frame contact jack stands in conjunction with a floor jack as main support is highly recommended to minimize accidental dropping of a vehicle while the installation proceeds. We recommend the use of a shop hoist if possible. Please use caution!

Limitation of Liability-Disclaimers: The regulation of emissions production, noise levels and safety standards is undertaken by the federal government, each of the fifty state legislatures, and by many local municipalities, towns and counties.

The manufacturer makes no warranties of merchantability, of fitness for a particular purpose, or that its products are approved for general use, or that its products comply with laws, regulations or ordinances in the states where they may be sold to the ultimate purchaser, the consumer.

The entire risk as to the conformity of this product in any such state and as to repair, should the product prove to be defective or non-conforming, is on the retail purchaser, the buyer, the ultimate consumer of such product and it is not upon the seller, distributor, or manufacturer.

In this connection, retail purchaser, the buyer, the ultimate consumer assumes the burden of the entire cost of any and all necessary service, alterations, and or repair.

The foregoing statement limits the liability of the manufacturer.

California vehicle code section 27156 prohibits the advertising, offering for sale, or installation of any device which modifies a vehicle's emission control system. This product is, therefore, not legal for sale or use in California on vehicles equipped with catalytic converters.

NOTE: DO NOT TIGHTEN ANY BOLTS OR CLAMPS UNTIL THE LAST STEP!

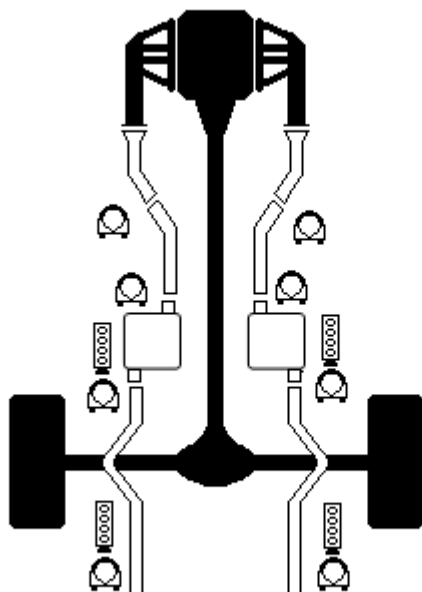
1. Remove the old exhaust system after the headers. Remove the old hangers.
2. Install the left and right collector pipes using the MP48005 gaskets and F33 flanges. Tighten only enough to hold in place, using the 3/8" x 1-1/4" bolts and nuts.
3. Install the left and right front extension pipes to the collector pipes using 2-1/2" clamps. Be sure to leave adequate clearance between the floor boards and the drive shaft.
4. Install the turbo mufflers onto the front extension pipes using 2-1/2" clamps. Rotate the front extension pipes to clear the driveshaft, and frame.



1-800-345-4545 jeps.com

5. Mount two of the THU400 rubber strap hangers to the back side of the floor boards by drilling a 1/4" hole on each side using a 5/16" lag screw and fender washer. The hanger should be installed above either the inlet or outlet of the mufflers, and the appropriate clamp from this connecting point should be used to connect the hanger to the pipe.
6. Install the left and right tail pipes to the mufflers using 2-1/2" clamps.
7. Install the BR3 "L" bracket to the rear frame using the 5/16" x 1" lag screw and fender washer, at a good location for a tail pipe hanger. A 1/4" hole may need to be drilled if none is present. Mount the remaining THU400 rubber hangers to the BR3 brackets using the 5/16" x 1" bolts, nuts, and lock washers. Use the remaining 2-1/2" clamps to connect the hanger assembly to the tail pipes.
8. Make sure that all the parts of the system are clear of frame members, hoses, suspension, and brake and fuel lines. Starting at the collector pipes, tighten all connections and nuts. Make sure all parts are clearing and will not leak or rattle. After several days of driving, retighten all bolts.

30553



Installation Instructions for 30556 2-1/2" Muscle Car Header Dual Kits

Updated 1/2/15

Application: 1978-1988 G-body GM mid-size cars, Malibu, Oldsmobile Cutlass, Le Mans, Grand Prix, Monte Carlo, Buick Regal, all w/ small block V8, standard headers, & 3" collectors at the headers.

NOTE: The headers are NOT included in this kit! We recommend usage of JEGS part #555-30060 for best fit of this exhaust system.

NOTE: Additionally, you will need to order a double-hump cross member for installation of this kit #555-640600 (TH350), #555-640603 (TH400) or #555-640601 (700R4). This kit will not fit properly with the stock cross member in place.

NOTE: The catalytic converters are not supplied with this exhaust system. This system is not legal for on-road use on vehicles that originally were equipped with a catalytic converter.

Kit Includes:

- | | | |
|--------------------------------------|------------------------------------|------------------|
| 4) LB7 Hangers | 2) 3" to 2-1/2" Collectors | 4) 5/16" Nuts |
| 4) Snapper Grommets | 1) Right Extension Pipe - #2268712 | 6) 3/8" Nuts |
| 2) 5/16" X 1-1/4" Lag Screws | 1) Left Extension Pipe - #2268711 | 2) F33 Flanges |
| 1) Left Tail Pipe - #2268713 | 6) 3/8" Lockwashers | 8) 2-1/2" Clamps |
| 1) Right Tail Pipe - #2268714 | 6) 3/8" X 1-1/4" Bolts | |
| 2) #920 Double Offset Turbo Mufflers | 4) 5/16" X 1-1/2" Bolts | |
| 2) Tail Pipe Extensions - #2268715 | 2) MP48005 3" Collector Gaskets | |

DANGER WARNING:

Should the purchaser decide to install this exhaust product at home, be warned that pleasure car or light duty truck/van "bumper" jacks are intended for emergency use only. The use of frame contact jack stands in conjunction with a floor jack as main support is highly recommended to minimize accidental dropping of a vehicle while the installation proceeds. We recommend the use of a shop hoist if possible. Please use caution!

Limitation of Liability–Disclaimers: The regulation of emissions production, noise levels and safety standards is undertaken by the federal government, each of the fifty state legislatures, and by many local municipalities, towns and counties.

The manufacturer makes no warranties of merchantability, of fitness for a particular purpose, or that its products are approved for general use, or that its products comply with laws, regulations or ordinances in the states where they may be sold to the ultimate purchaser, the consumer.

The entire risk as to the conformity of this product in any such state and as to repair, should the product prove to be defective or non-conforming, is on the retail purchaser, the buyer, the ultimate consumer of such product and it is not upon the seller, distributor, or manufacturer.

In this connection, retail purchaser, the buyer, the ultimate consumer assumes the burden of the entire cost of any and all necessary service, alterations, and or repair.

The foregoing statement limits the liability of the manufacturer.

California vehicle code section 27156 prohibits the advertising, offering for sale, or installation of any device which modifies a vehicle's emission control system. This product is, therefore, not legal for sale or use in California on vehicles equipped with catalytic converters.

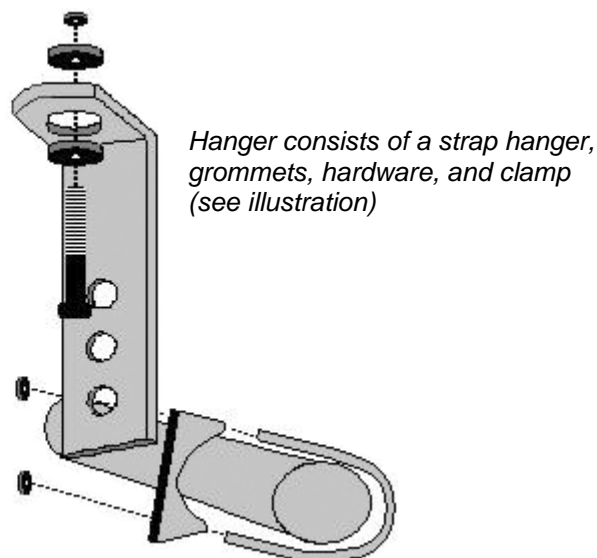
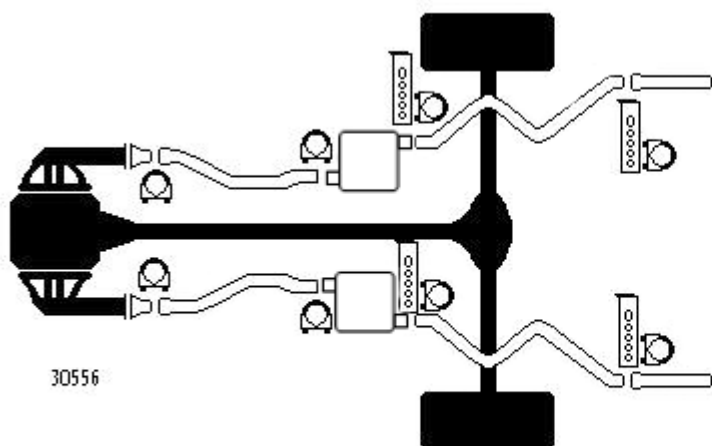
NOTE: DO NOT TIGHTEN ANY BOLTS OR CLAMPS UNTIL THE LAST STEP!

1. Raise and support the automobile in a safe and suitable manner - support with jack stands onto the frame.
2. Remove the old exhaust system after the headers. Remove the old hangers and brackets if desired. New universal hangers are included in this kit to replace the original hangers. If you have not done so yet, install a double-hump cross member or modify your existing cross member.
3. Install the 3" to 2-1/2" collectors to the headers using the MP48005 gaskets and F33 flanges. Tighten only enough to hold in place, using the 3/8" x 1-1/4" bolts and nuts. On certain models it may be necessary to trim about 1-1/2" off of the header collectors for proper length of the system.



1-800-345-4545 jeps.com

4. Install the left and right front extension pipes to the collector pipes using 2-1/2" clamps. Be sure to leave adequate clearance between the floor boards, double-hump cross member, and the drive shaft. The inlet on both extension pipes is the I.D. or expanded end. The left extension pipe has a longer straight section on the inlet end than the right extension pipe.
5. Install the turbo mufflers onto the front extension pipes using 2-1/2" clamps. Rotate the front extension pipes to clear the driveshaft, cross member, frame, floor, and general clearance.
6. Mount the hanger brackets if necessary to the frame using the LB7 strap with the grommets and 5/16" x 1-1/2" bolts and nuts (or lag screws) directly above the outlet of the mufflers. Connect the hangers to the outlet of the mufflers using 2-1/2" clamps.
7. Install the left and right tail pipes to the mufflers using the same 2-1/2" clamps used in step 6. NOTE: On the right side, be aware of the fuel lines. Be sure to have adequate clearance and no leaks.
8. Install the left and right tail pipe extensions to the tail pipes using 2-1/2" clamps. Use these 2-1/2" clamps to connect the tail pipes, the tail pipe extensions, and an LB7 hanger and grommet at the rear on both sides. You will need to drill a hole in the frame for the hangers. Cut the tail pipes to your desired length and look.
9. Make sure that all the parts of the system are clear of frame and cross members, all hoses, suspension, and brake and fuel lines. Starting at the collectors, tighten all connections and nuts. Make sure all parts are clear and will not leak or rattle. After several days of driving retighten all bolts.



Installation Instructions for 30557 2-1/2" Short Tube Header Dual Kits

Application: 1982-93 S10 2WD 350 c.i. V8 and Turbo 350 Transmission

NOTE: OFF-ROAD RACE USE ONLY!! This product is not intended for use on public roads, and is illegal to use on public roads. Check your local laws. Room has been left for use with converters to be installed if needed.

NOTE: This product was designed for use with Hedman Heddors #69520 or #69528, Trans Dapt mount system #9926, a 350 V8 with a turbo 350 transmission. Any other combinations will require modification.

NOTE: Welding is required on this kit for the hangers in front and behind the muffler.

NOTE: You will need to reroute the fuel lines.

NOTE: On the passenger side, pound the fire wall for clearance of the header and exhaust.

NOTE: New holes will need to be drilled in the frame and transmission cross member, and it will need to be moved back about 1.5" for use with the 700R4 transmission.

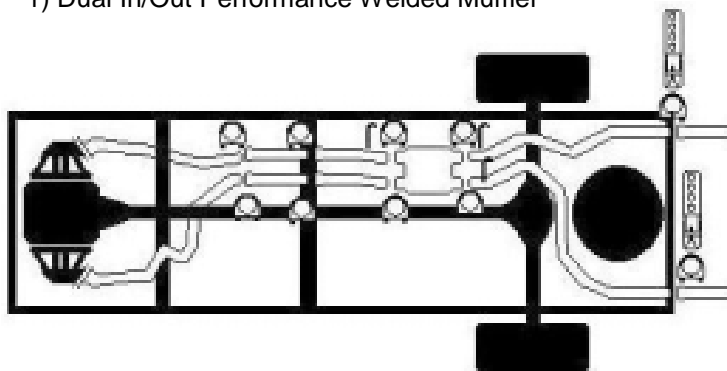
NOTE: The mounting bracket on the transmission cross member has a lip on the front that will need to be ground flat for proper clearance on the transmission mount, drill 2 new holes and bolt into place.

NOTE: On the driver side, you will need to cut or trim the corner of the bell housing and the transmission for pipe clearance immediately after the collector.

NOTE: This kit will not clear oversized spare tires, nor many aftermarket receiver hitches. If you have a receiver hitch that it will not clear, you will need to route your exhaust behind the rear tires.

Kit Includes:

- | | | |
|--------------------------|---|-----------------------------|
| 10) 2-1/2" Clamps | 3) BR92250 Wire Hangers | 2) 5/16" Lock Washers |
| 2) Fender Washers | 2) 5/16" Nuts | 2) BR91930 Swinger Hangers |
| 2) 5/16" x 1" Bolts | 1) Passenger Side Front Pipe | 1) Driver Side Front Pipe |
| 2) Front Extension Pipes | 2) Tail Pipe Extensions | 1) Passenger Side Tail Pipe |
| 1) Driver Side Tail Pipe | 1) Dual In/Out Performance Welded Muffler | |



NOTE: DO NOT TIGHTEN ANY BOLTS OR CLAMPS UNTIL THE LAST STEP!

1. Install the engine and transmission, along with the shorty headers. Refer to the header installation instructions for details
2. Install the passenger side front pipe to the header using the flange and hardware (3/8" x 3" bolts and nuts) that were included with the headers. This pipe has 3 bends, it runs below the cross member.

3. Repeat step 2) for the driver side, it has 5 bends, and is routed between the cross member and the floor (above the cross member). **Note:** you will need to reroute your fuel lines for installation.
4. For those with regular cab short box, skip this step. For regular cab long box and extended cab models, you will need to install the I.D. ends of the 17-1/2" long front extension pipes (no bends) to the front pipes using 2-1/2" clamps. For regular cab long box, you will need to trim 6" off of the O.D. end.
5. Install the I.D. end of the rear extension pipes to the front extension pipes using 2-1/2" clamps. There are 2 bends in these extension pipes. They will need to be rotated so as to be able to install the muffler inlets.
6. Install the inlets of the muffler (it is not reversible) to the outlets of the rear extension pipes using 2-1/2" clamps. You will need to rotate the rear extension pipes for installation.
7. Install the passenger side tail pipe to the passenger side muffler outlet using a 2-1/2" clamp. This tail pipe has 4 bends, the short end is the inlet, and it is routed between the shock and the spare tire.
8. Install the I.D. end of a 15" tail pipe extension to the rear of the passenger side tail pipe using a 2-1/2" clamp. Above the connecting point of these pipes is a frame cross member. You will need to drill a 5/16" hole in the cross member to install a BR91930 swinger hanger using a 5/16" x 1" bolt, lock washer, fender washer, and nut. Connect the hanger to the clamp used to connect the passenger side tail pipe to the tail pipe extension. This hanger should be mounted as to your preferred ride height.
9. Install the driver side tail pipe to the driver side muffler outlet using a 2-1/2" clamp. This tail pipe has 5 bends, the short end is the inlet, and it crosses over the rear differential and is routed between the shock and the spare tire, and between the spring and the spare tire. Oversized spare tires will need to be removed
10. Repeat step 8) for the driver side.

DANGER WARNING:

Should the purchaser decide to install this exhaust product at home, be warned that pleasure car or light duty truck/van "bumper" jacks are intended for emergency use only. The use of frame contact jack stands in conjunction with a floor jack as main support is highly recommended to minimize accidental dropping of a vehicle while the installation proceeds. We recommend the use of a shop hoist if possible. Please use caution!

Limitation of Liability–Disclaimers: The regulation of emissions production, noise levels and safety standards is undertaken by the federal government, each of the fifty state legislatures, and by many local municipalities, towns and counties.

The manufacturer makes no warranties of merchantability, of fitness for a particular purpose, or that its products are approved for general use, or that its products comply with laws, regulations or ordinances in the states where they may be sold to the ultimate purchaser, the consumer.

The entire risk as to the conformity of this product in any such state and as to repair, should the product prove to be defective or non-conforming, is on the retail purchaser, the buyer, the ultimate consumer of such product and it is not upon the seller, distributor, or manufacturer.

In this connection, retail purchaser, the buyer, the ultimate consumer assumes the burden of the entire cost of any and all necessary service, alterations, and or repair.

The foregoing statement limits the liability of the manufacturer.

California vehicle code section 27156 prohibits the advertising, offering for sale, or installation of any device which modifies a vehicle's emission control system. This product is, therefore, not legal for sale or use in California on vehicles equipped with catalytic converters.



1-800-345-4545 jeps.com

Installation Instructions for 30558 2-1/2" Long Tube Header Dual Kits

Application: 1982-93 S10 2WD 350 c.i. V8 and Turbo 350 Transmission

NOTE: OFF-ROAD RACE USE ONLY!! This product is not intended for use on public roads, and is illegal to use on public roads. Check your local laws. Room has been left for use with converters to be installed if needed.

NOTE: This product was designed for use with Hedman Heddors #69490, Trans Dapt mount system #4689, a 350 V8 with a turbo 350 transmission. Any other combinations will require modification.

NOTE: Welding is required on this kit for the hangers in front and behind the muffler.

NOTE: You will need to reroute the fuel lines.

NOTE: On the passenger side, pound the fire wall for clearance of the header and exhaust.

NOTE: New holes will need to be drilled in the frame and transmission cross member, and it will need to be moved back about 1.5" for use with the 700R4 transmission.

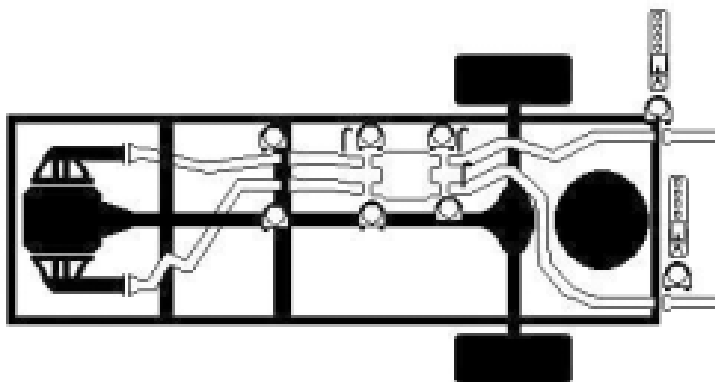
NOTE: The mounting bracket on the transmission cross member has a lip on the front that will need to be ground flat for proper clearance on the transmission mount, drill 2 new holes and bolt into place.

NOTE: On the driver side, you will need to cut or trim the corner of the bell housing and the transmission for pipe clearance immediately after the collector.

NOTE: This kit will not clear oversized spare tires, nor many aftermarket receiver hitches. If you have a receiver hitch that it will not clear, you will need to route your exhaust behind the rear tires.

Kit Includes:

- | | | |
|--------------------------|---|-----------------------------|
| 10) 2-1/2" Clamps | 3) BR92250 Wire Hangers | 2) 5/16" Lock Washers |
| 2) Fender Washers | 2) 5/16" Nuts | 2) BR91930 Swinger Hangers |
| 2) 5/16" x 1" Bolts | 1) Passenger Side Front Pipe | 1) Driver Side Front Pipe |
| 2) Front Extension Pipes | 2) Tail Pipe Extensions | 1) Passenger Side Tail Pipe |
| 1) Driver Side Tail Pipe | 1) Dual In/Out Performance Welded Muffler | |



NOTE: DO NOT TIGHTEN ANY BOLTS OR CLAMPS UNTIL THE LAST STEP!

1. Install the engine and transmission, along with the long tube headers. Refer to the header installation instructions for details.
2. If you have a regular cab model, you will need to trim the front pipes to length, refer to step 3). Please check lengths before cutting by making sure you don't trim too much off. Install the passenger side front pipe to the header using the flange and hardware (3/8" x 3" bolts and nuts) that were included with the headers. This pipe has 2 bends. It runs below the cross member.

3. Repeat step 2) for the driver side. It has 4 bends, and is routed between the cross member and the floor (above the cross member). **Note:** you will need to reroute your fuel lines for installation.
4. For those with regular cab short box, you will need to trim 14-1/2" from the front extension pipes. For regular cab long box, you will need to trim 6" from the front pipes. For extended cab short box, no cutting is necessary.
5. Install the I.D. end of the extension pipes to the front pipes using 2-1/2" clamps. There are 2 bends in these extension pipes. They will need to be rotated so as to be able to install the muffler inlets.
6. Install the inlets of the muffler (it is not reversible) to the outlets of the extension pipes using 2-1/2" clamps. You will need to rotate the extension pipes for installation.
7. Install the passenger side tail pipe to the passenger side muffler outlet using a 2-1/2" clamp. This tail pipe has 4 bends, the short end is the inlet, and it is routed between the shock and the spare tire.
8. Install the I.D. end of a 15" tail pipe extension to the rear of the passenger side tail pipe using a 2-1/2" clamp. Above the connecting point of these pipes is a frame cross member. You will need to drill a 5/16" hole in the cross member to install a BR91930 swinger hanger using a 5/16" x 1" bolt, lock washer, fender washer, and nut. Connect the hanger to the clamp used to connect the passenger side tail pipe to the tail pipe extension. This hanger should be mounted as to your preferred ride height.
9. Install the driver side tail pipe to the driver side muffler outlet using a 2-1/2" clamp. This tail pipe has 5 bends, the short end is the inlet, and it crosses over the rear differential and is routed between the shock and the spare tire, and between the spring and the spare tire. Oversized spare tires will need to be removed.
10. Repeat step 8) for the driver side.

DANGER WARNING:

Should the purchaser decide to install this exhaust product at home, be warned that pleasure car or light duty truck/van "bumper" jacks are intended for emergency use only. The use of frame contact jack stands in conjunction with a floor jack as main support is highly recommended to minimize accidental dropping of a vehicle while the installation proceeds. We recommend the use of a shop hoist if possible. Please use caution!

Limitation of Liability–Disclaimers: The regulation of emissions production, noise levels and safety standards is undertaken by the federal government, each of the fifty state legislatures, and by many local municipalities, towns and counties.

The manufacturer makes no warranties of merchantability, of fitness for a particular purpose, or that its products are approved for general use, or that its products comply with laws, regulations or ordinances in the states where they may be sold to the ultimate purchaser, the consumer.

The entire risk as to the conformity of this product in any such state and as to repair, should the product prove to be defective or non-conforming, is on the retail purchaser, the buyer, the ultimate consumer of such product and it is not upon the seller, distributor, or manufacturer.

In this connection, retail purchaser, the buyer, the ultimate consumer assumes the burden of the entire cost of any and all necessary service, alterations, and or repair.

The foregoing statement limits the liability of the manufacturer.

California vehicle code section 27156 prohibits the advertising, offering for sale, or installation of any device which modifies a vehicle's emission control system. This product is, therefore, not legal for sale or use in California on vehicles equipped with catalytic converters.



1-800-345-4545 jeps.com