

Monster Truck Assembly Guide

555-44400 - Torch

555-44500 - Hooligan

Assembly Instruction & Parts List



JEGS.com

1-800-345-4545

Precautions

Precautions With Small Children

- For children under the age of 13, parental guidance is recommended when running.

Assembly Precautions

- Choking hazard. Do not assemble near small children.
- Check the contents carefully before assembly. Please contact Customer Service at: 1.800.345.4545 if you have any defective or missing items.
- Carefully read through this manual, and familiarize yourself with the instructions.
- Many different tools are required during assembly. For safety purposes, please use the correct tools.
- Exercise caution when using sharp tools such as a hobby knife.
- Many different materials are used in the construction of these parts. Use extra care when handling parts with sharp edges, such as machined metal components.
- When cutting plastic parts, watch for any flying parts.
- Try to assemble any rotating parts or drivetrain parts as carefully as possible.
- Bundle wires neatly away from the ground or any moving drivetrain components. Make sure that all wires are securely connected to prevent electrical shorting.

Precautions Before Running

- Some models may exceed speeds of 25 mph. Practice common sense and run the car in open safe places, or R/C car tracks.
- Do not run the car on public roads with high amounts of traffic, or in areas that may cause an inconvenience to people in that area.
- R/C cars are controlled using a radio frequency. In a worst-case scenario radio interferences may cause loss of control.
- If others near you are running R/C cars, confirm that they are not running on the same frequency.
- This unit is manufactured with waterproof electronics, but it should not be submerged in water for extended periods of time.
- The drivetrain of an R/C car consists of many moving parts like gears, shafts, and tires. Avoid touching these areas when the battery is connected.
- Many parts of an R/C car will become hot after running. Allow the parts to sufficiently cool before conducting any maintenance.

Beginning a Run

1. Place the R/C car so that the wheels are off the ground.
2. Confirm that the speed controller switch is OFF, and connect the motor and battery.
3. Switch the transmitter ON. (Do not use the transmitter with low voltage. Ensure that the transmitter batteries are good before use)
4. Turn the speed controller switch ON.

Ending a Run

1. Turn the speed controller switch OFF.
2. Disconnect the battery.
3. Turn the transmitter switch OFF.

Battery Usage

(Carefully read the instruction included with the batteries.)

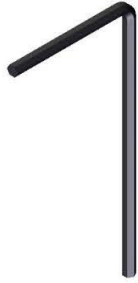
- When charging batteries, ensure nothing flammable is in the surrounding area. Also avoid charging in high-temperature locations.
- When charging batteries, be sure to frequently monitor the battery. Unattended, it could pose a fire hazard.
- If the battery reaches 122° F or more, stop charging.
- Batteries will become hot after running. Continuous use of the battery pack may result in damage to the cells. Allow the battery to cool down before re-charging. Using a battery conditioner after running may prolong the life and performance of the battery.
- Please do not discard old battery packs in the trash. Locate a battery disposal center.

Motor Usage

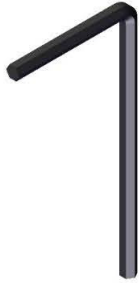
(Carefully read the instruction included with the motor.)

- Connecting a 7.2V battery directly to the motor can be very dangerous.
- Choose the appropriate gear ratio that matches the motors power characteristics.
- Using a gear ratio not suited to the characteristics of the motor will not only prevent the motor from performing at its optimum, but may damage the other electronics.
- Motors will generally become very hot after running. Continuous running will reduce the life of the motor. Allow the motor to sufficiently cool between each run.

Tools Required



1.5 mm



2.0 mm



2.5 mm

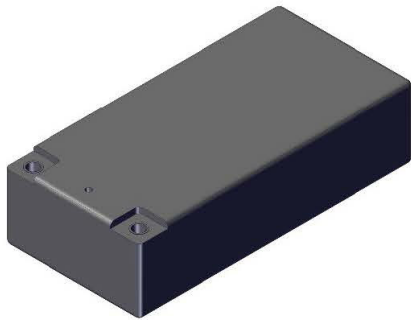


Socket
Wrench

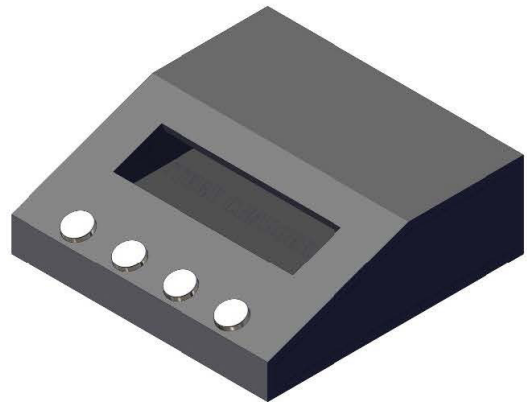


Phillips Screwdriver
(Not Included)

Equipment Required



Battery
(Not Included)



Battery Charger
(Not Included)



Gear Grease
(Not Included)



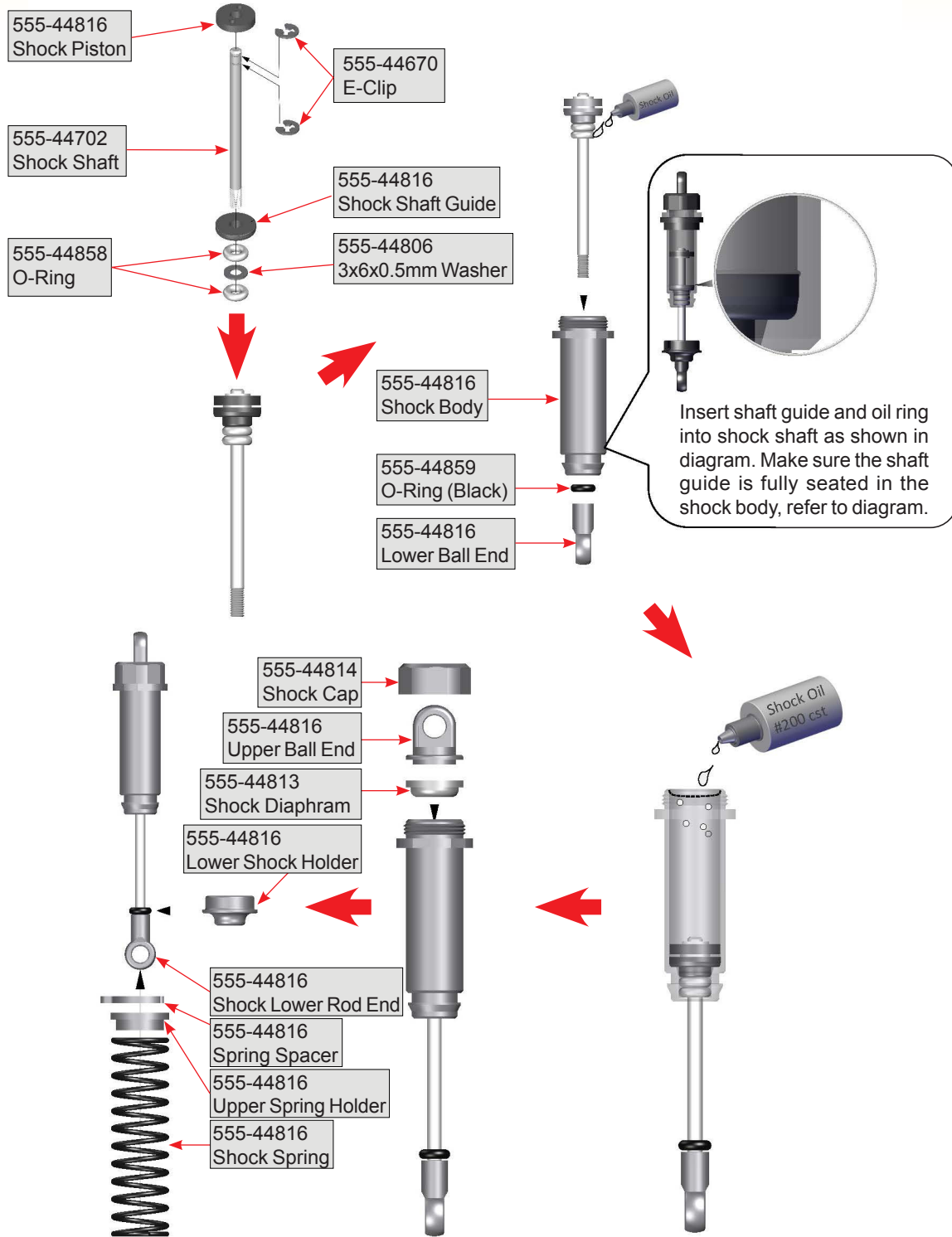
Shock Oil [Silicone]
(Not Included)



Threadlock
(Not Included)

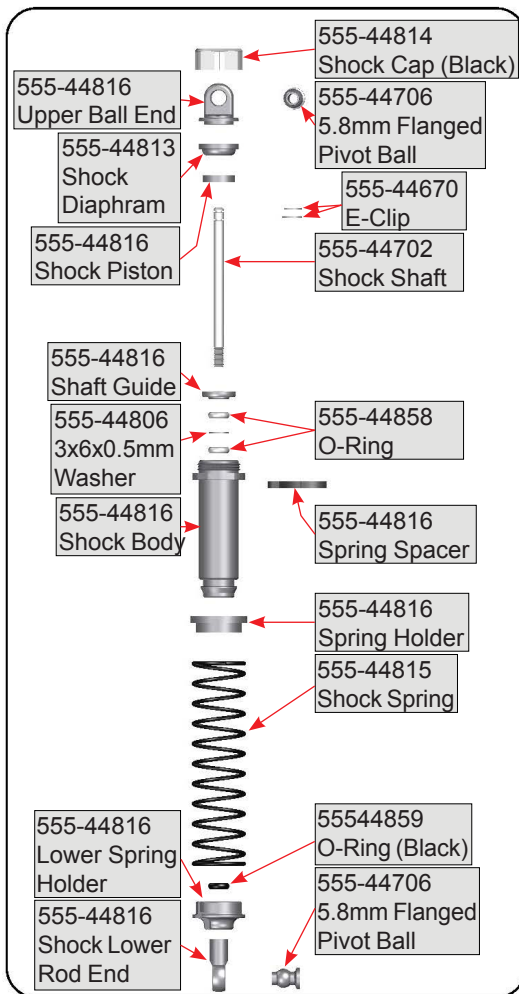
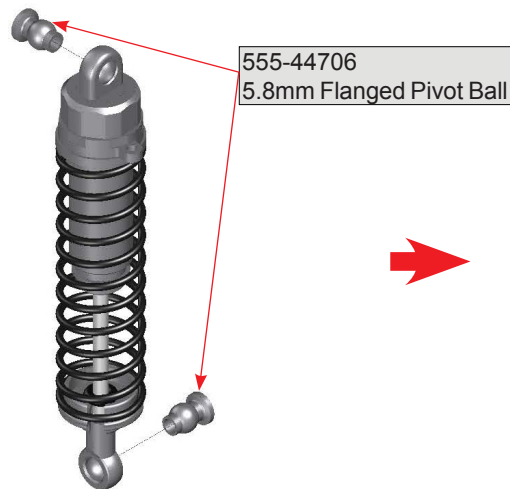
Shock Assembly

Bag A



Shock Assembly Continued

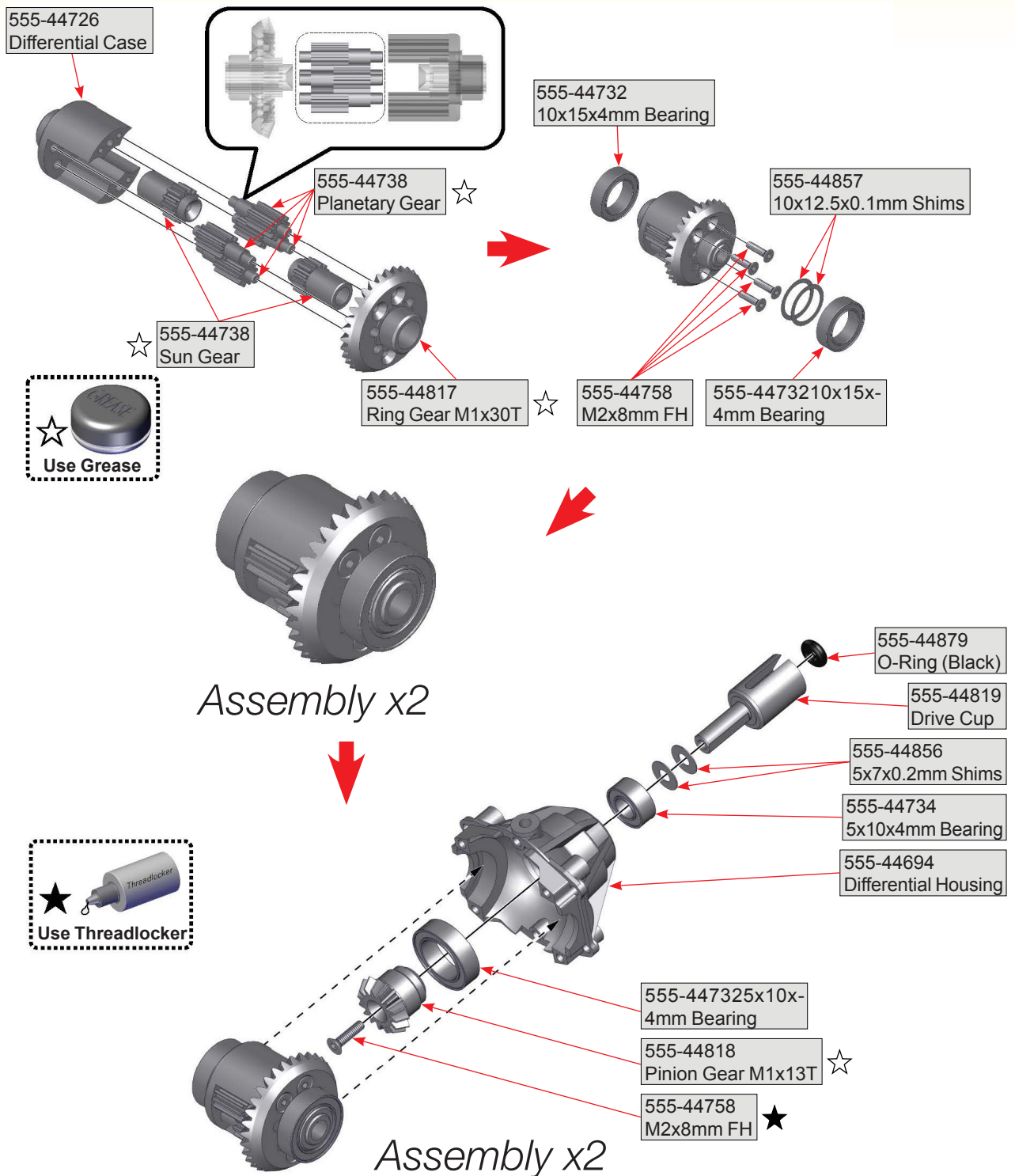
Bag A



Assembly x8

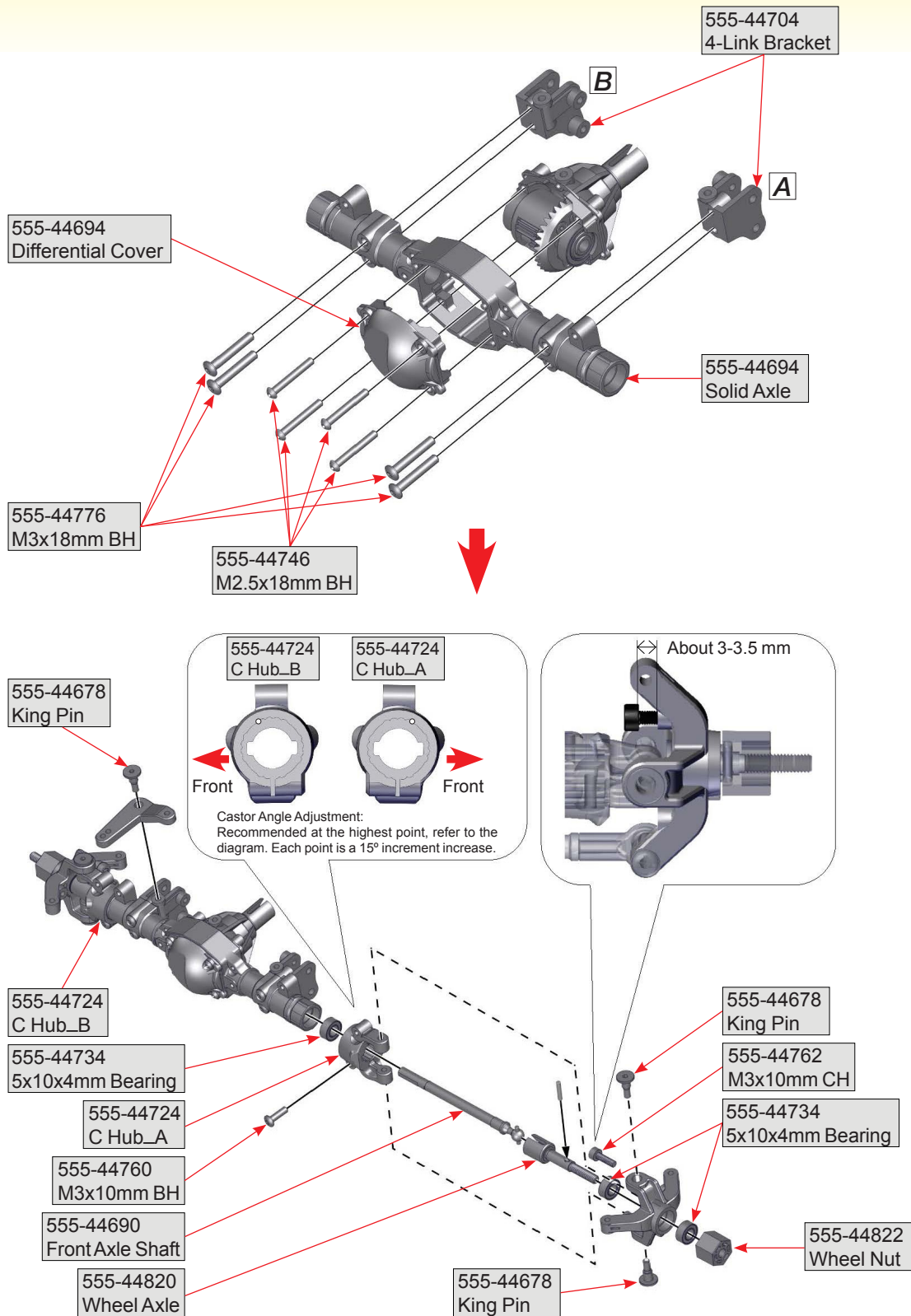
Front & Rear End Assemblies

Bag B



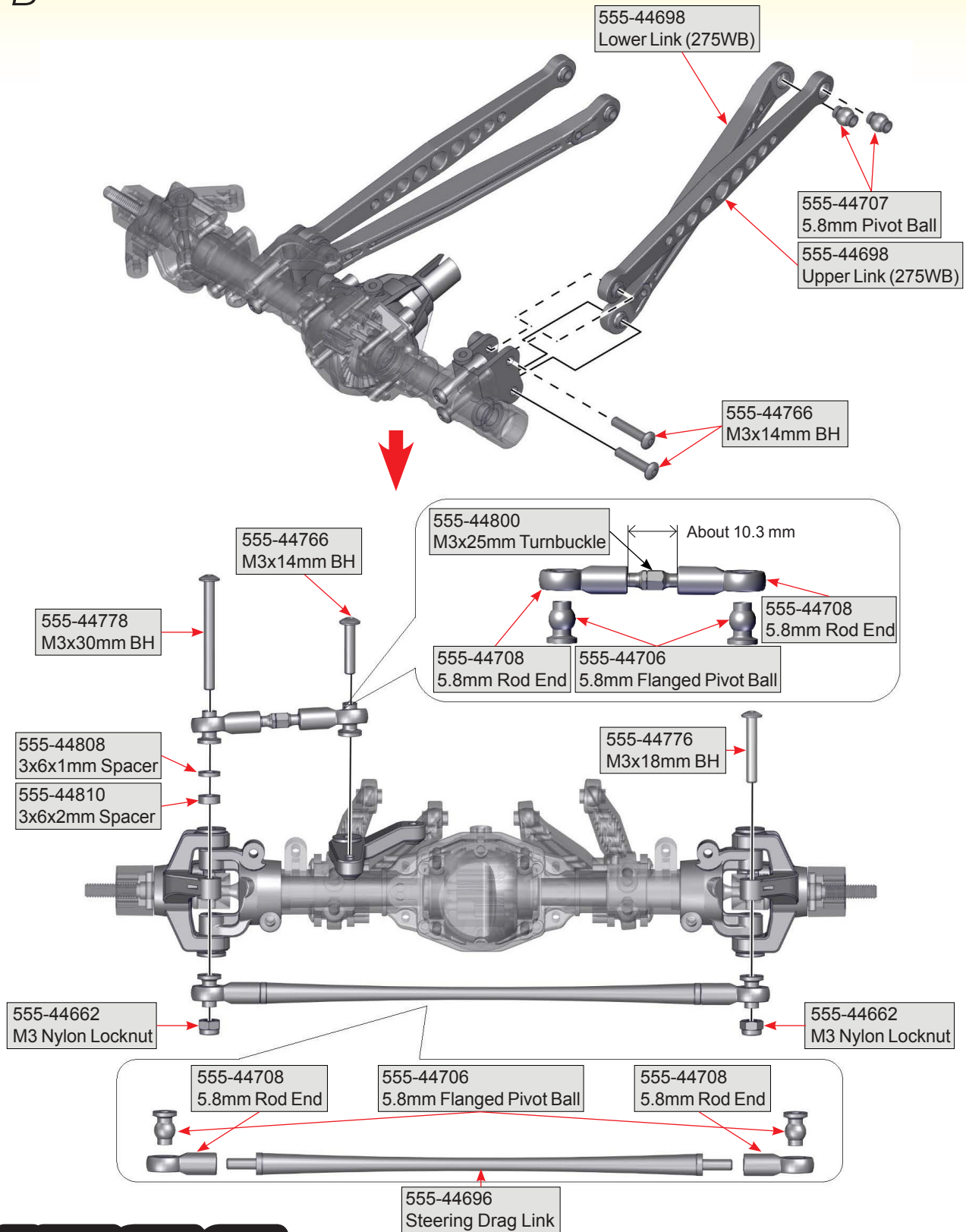
Front End Assembly

Bag B



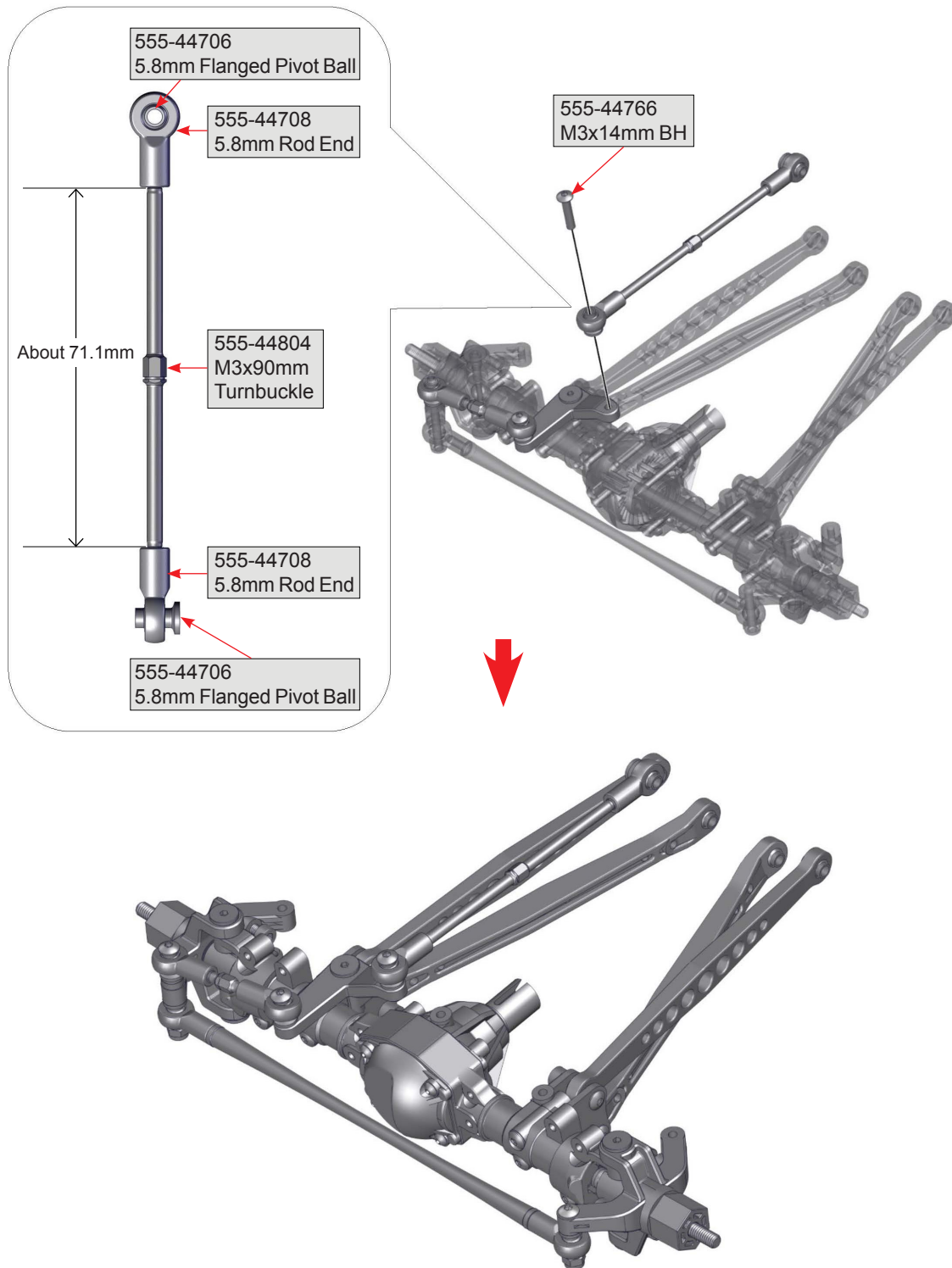
Front End Assemblies Continued

Bag B



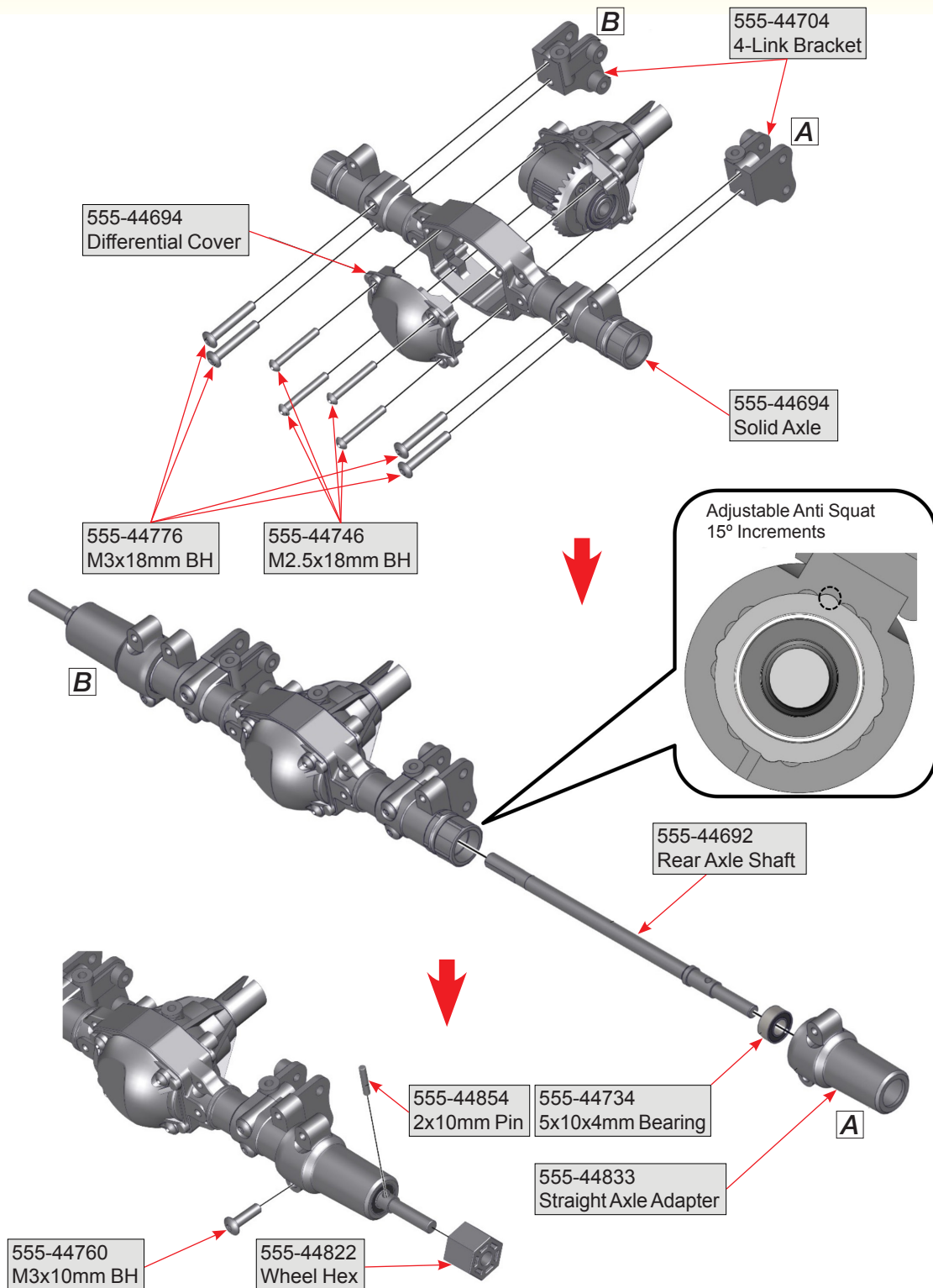
Front End Assemblies Continued

Bag B



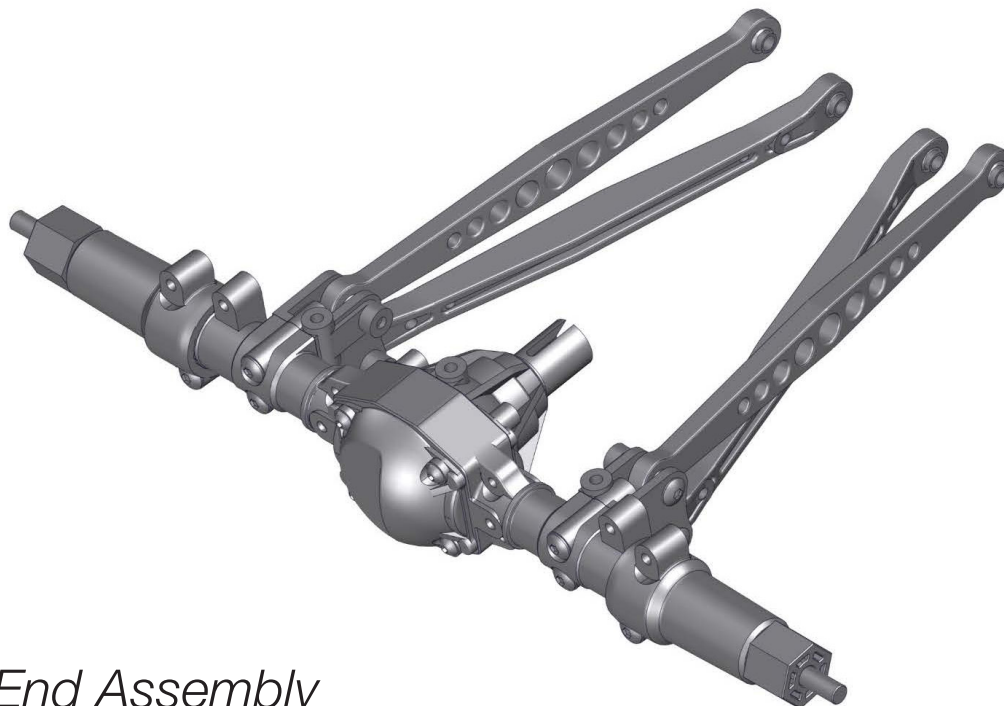
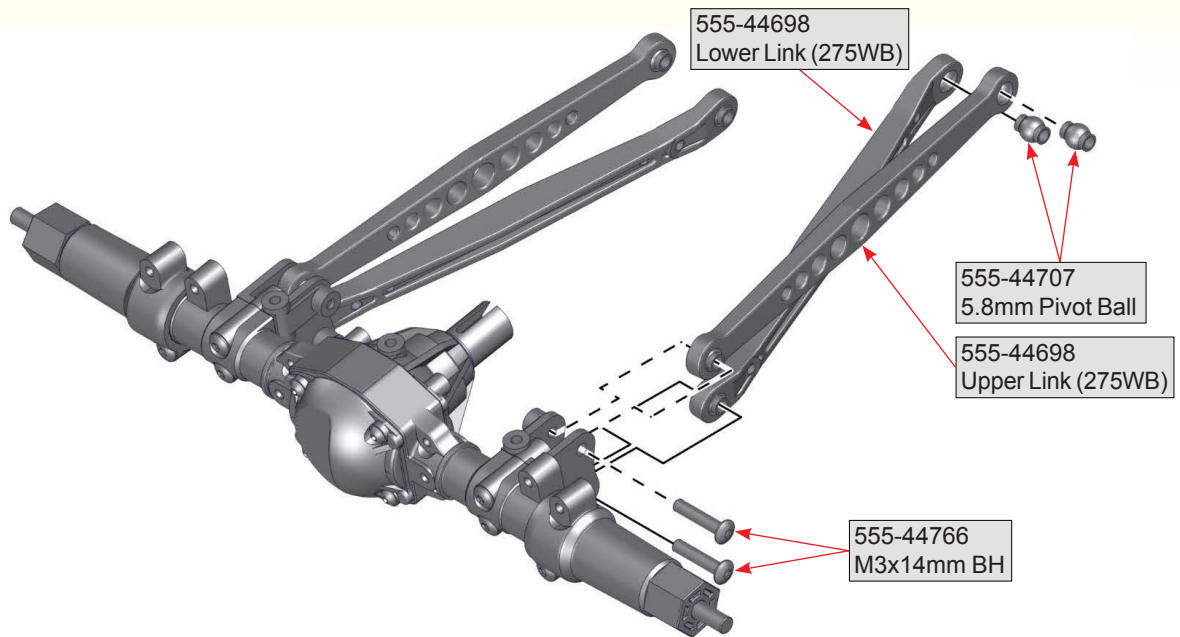
Rear End Assemblies

Bag B



Front & Rear End Assemblies

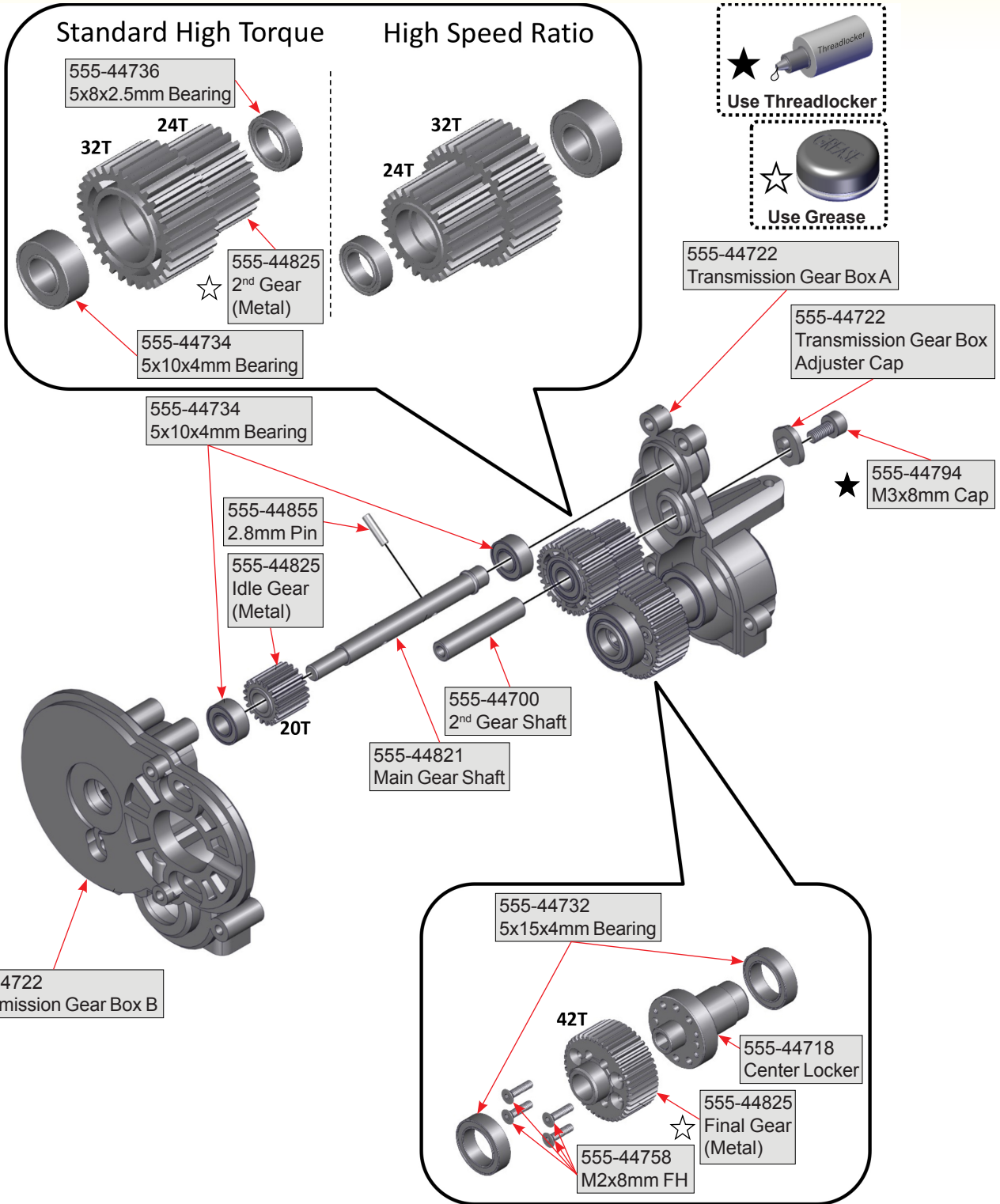
Bag B



Rear End Assembly

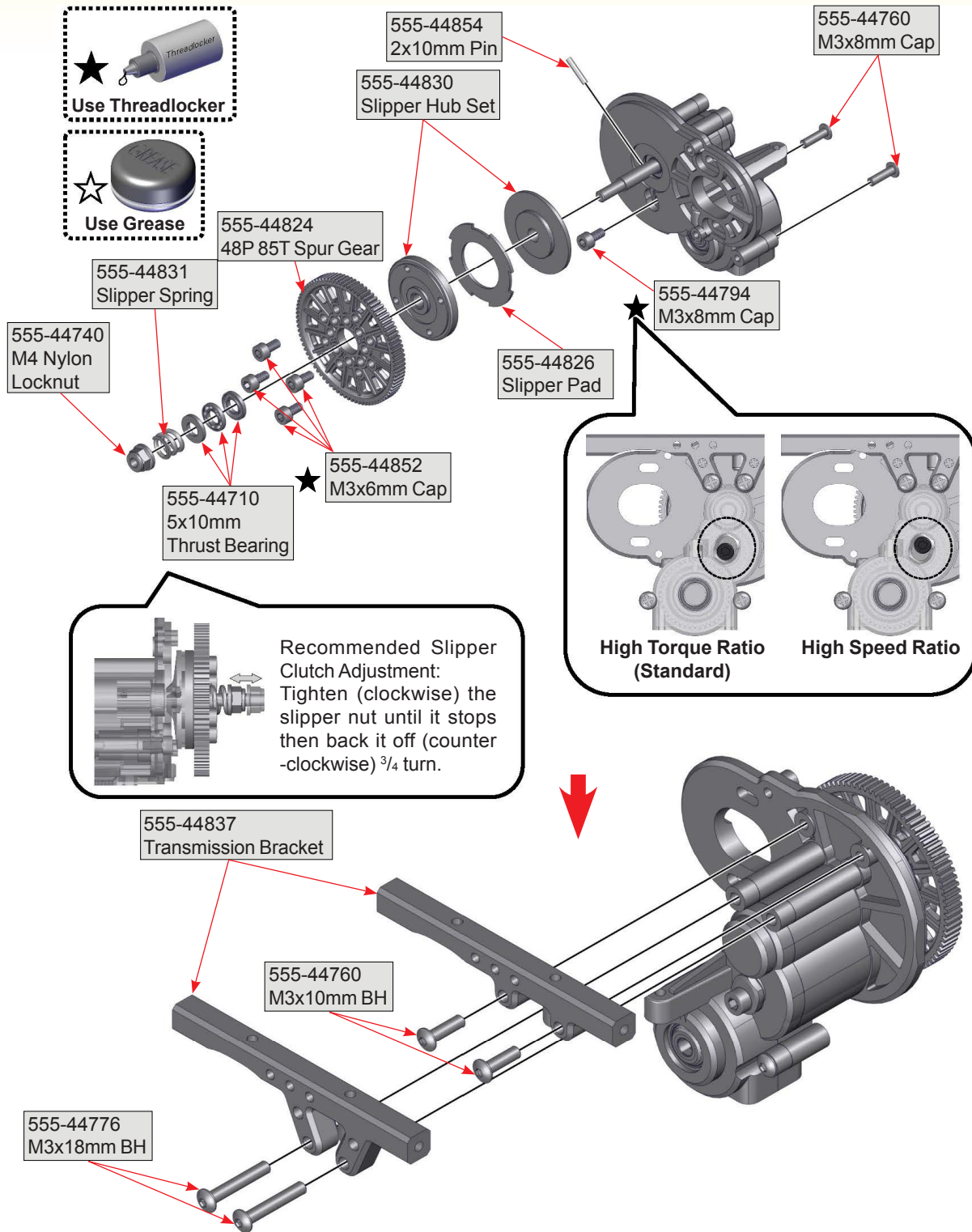
Center Differential Assembly

Bag C



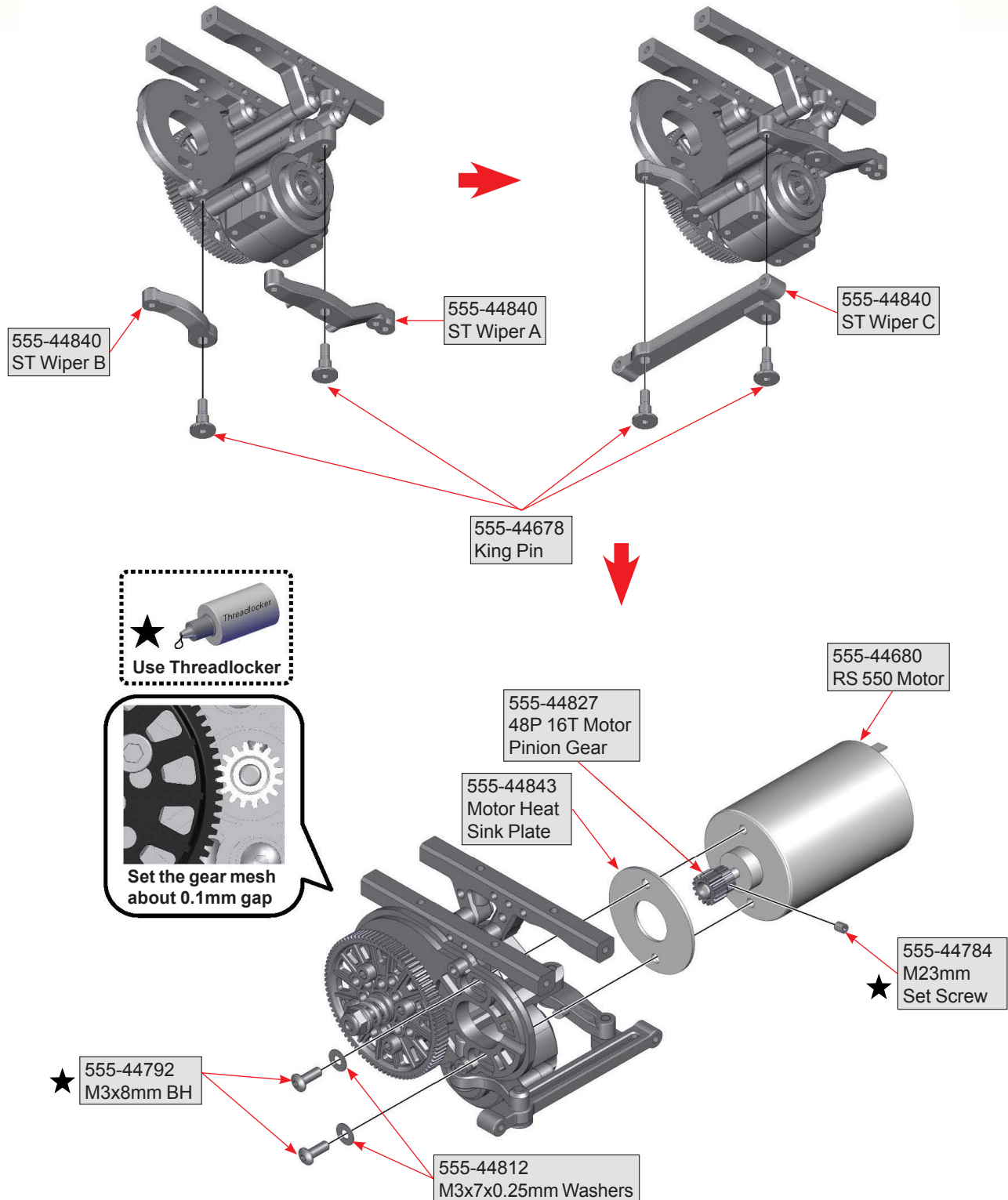
Center Differential Assembly Continued

Bag C



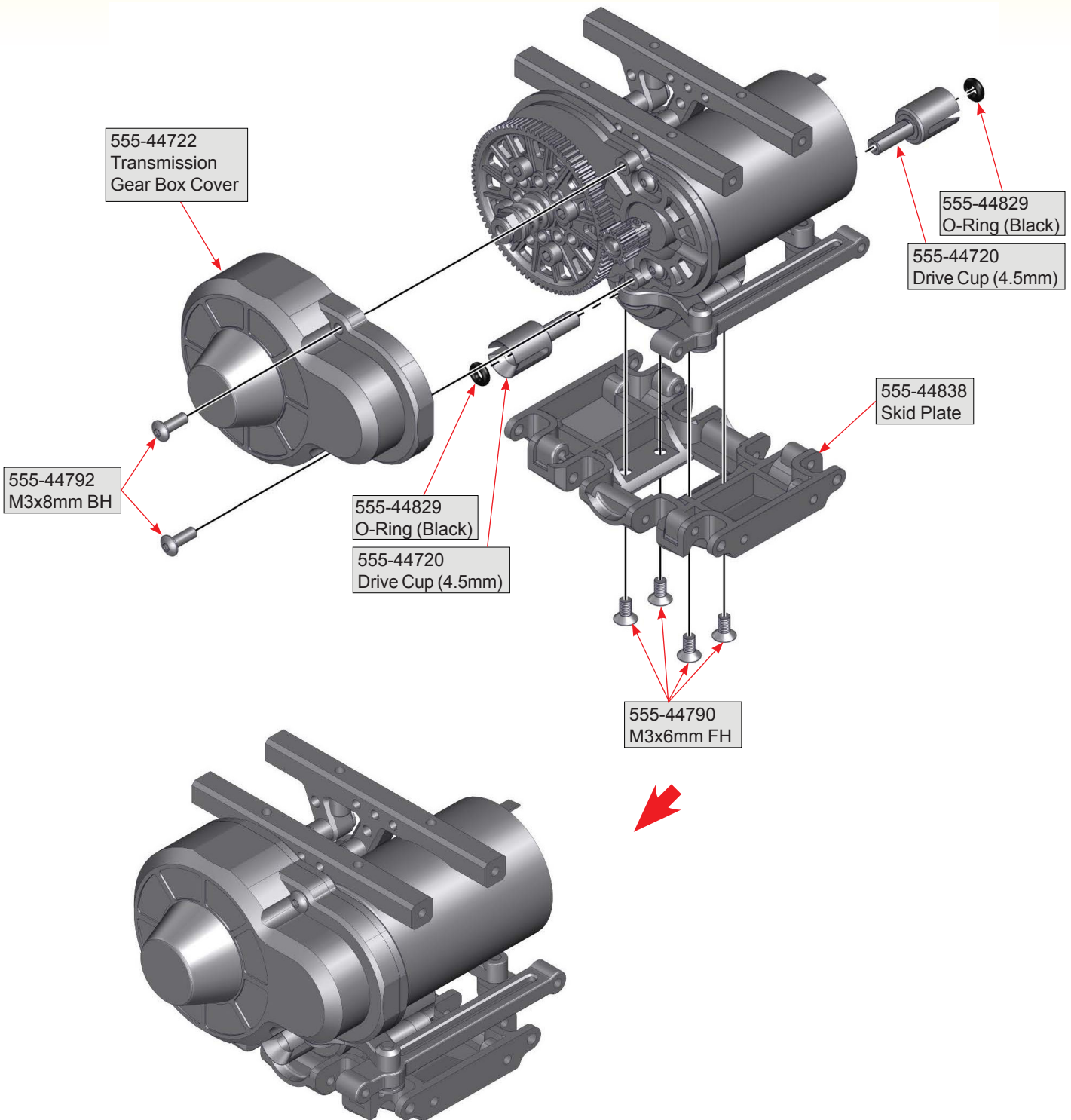
Center Differential Assembly Continued

Bag C



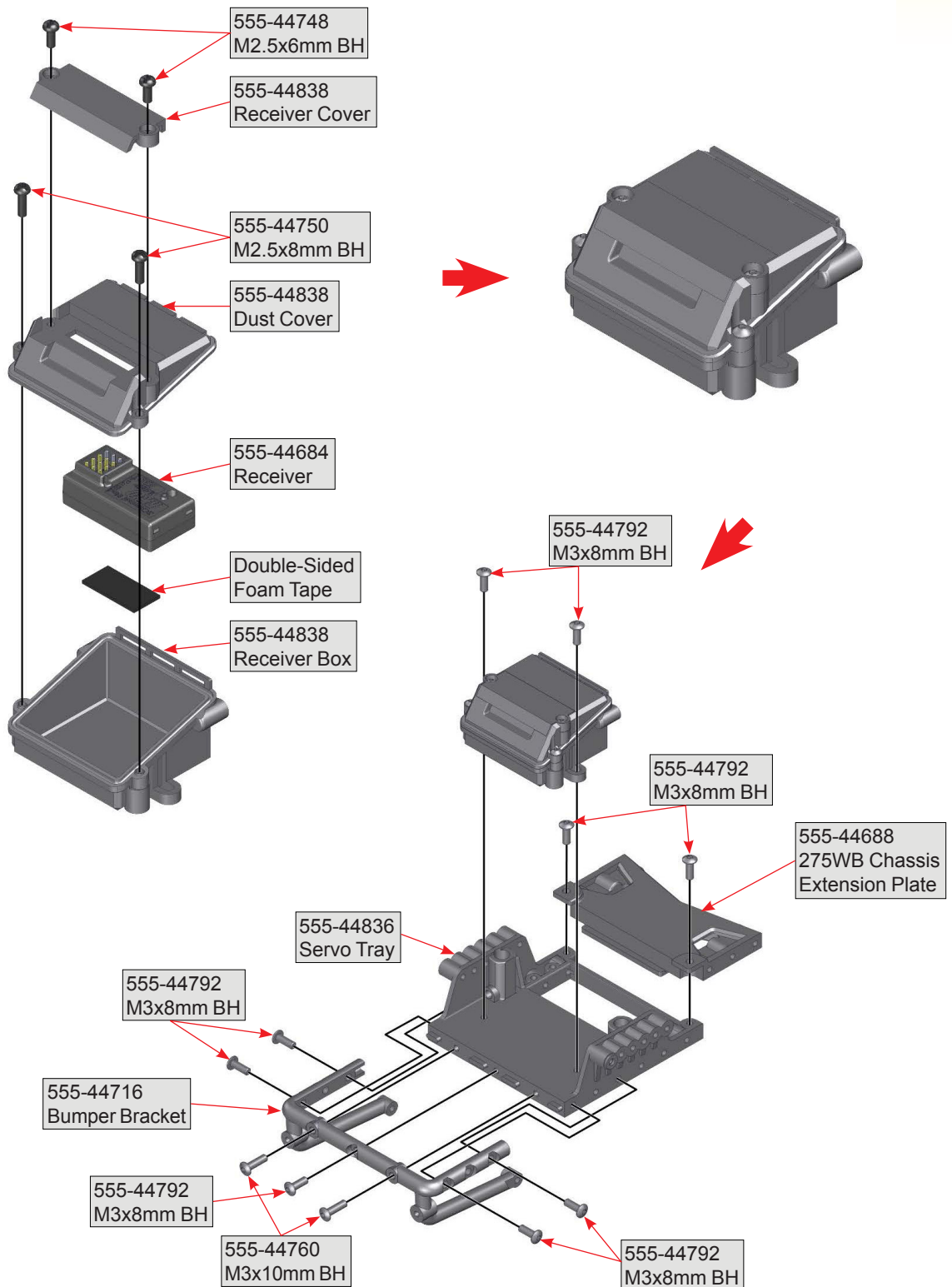
Center Differential Assembly Continued

Bag C



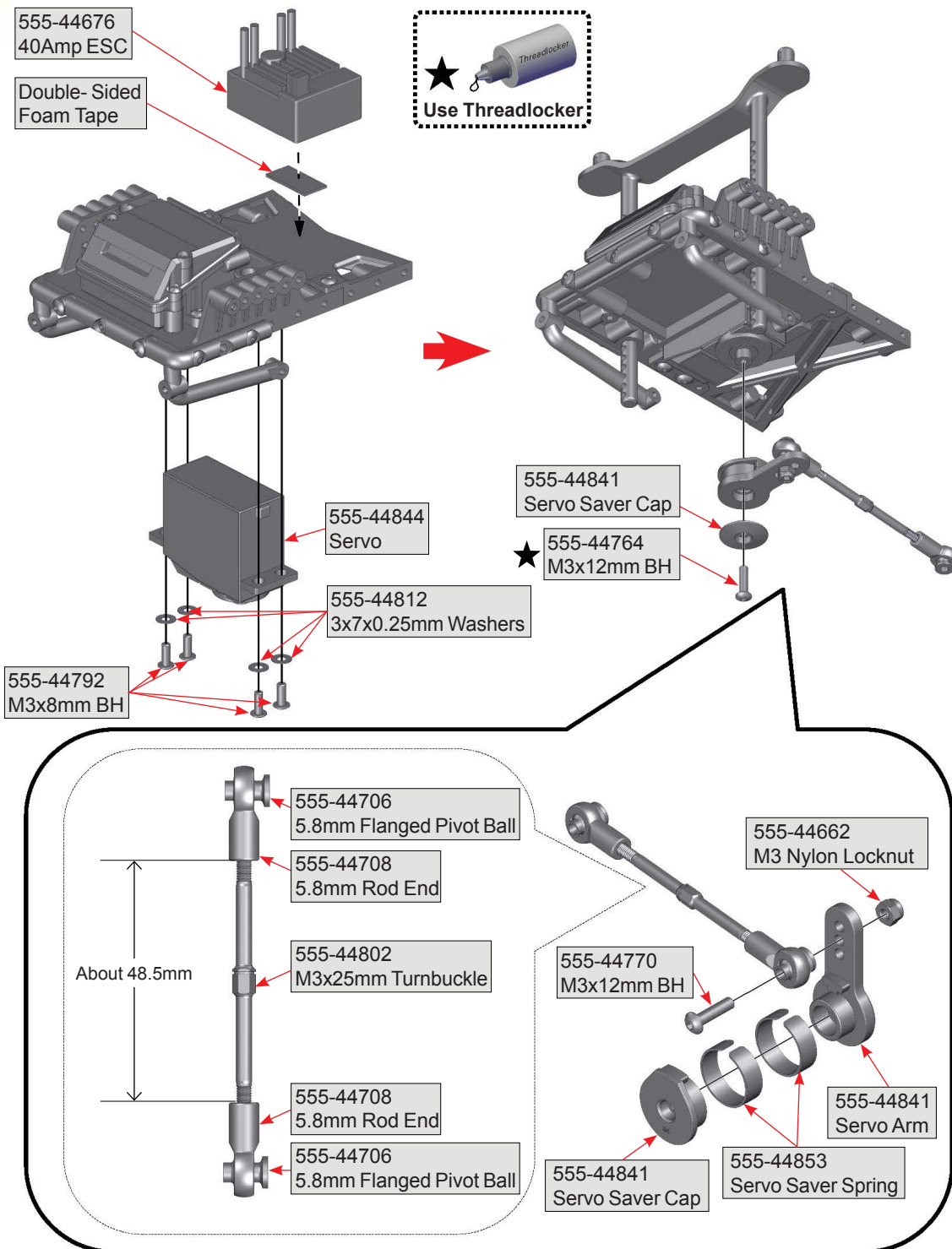
Radio Tray

Bag D



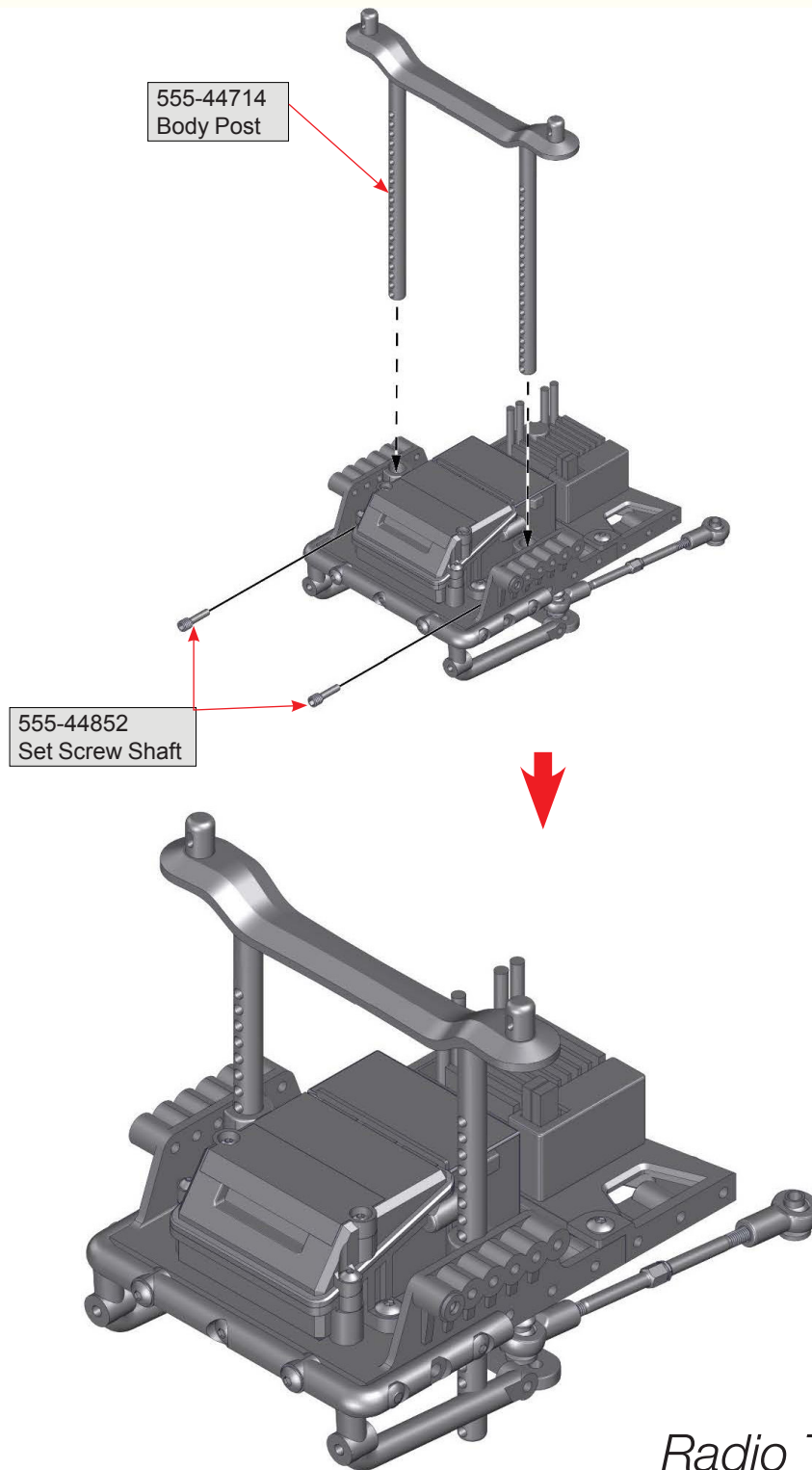
Radio Tray Continued

Bag D



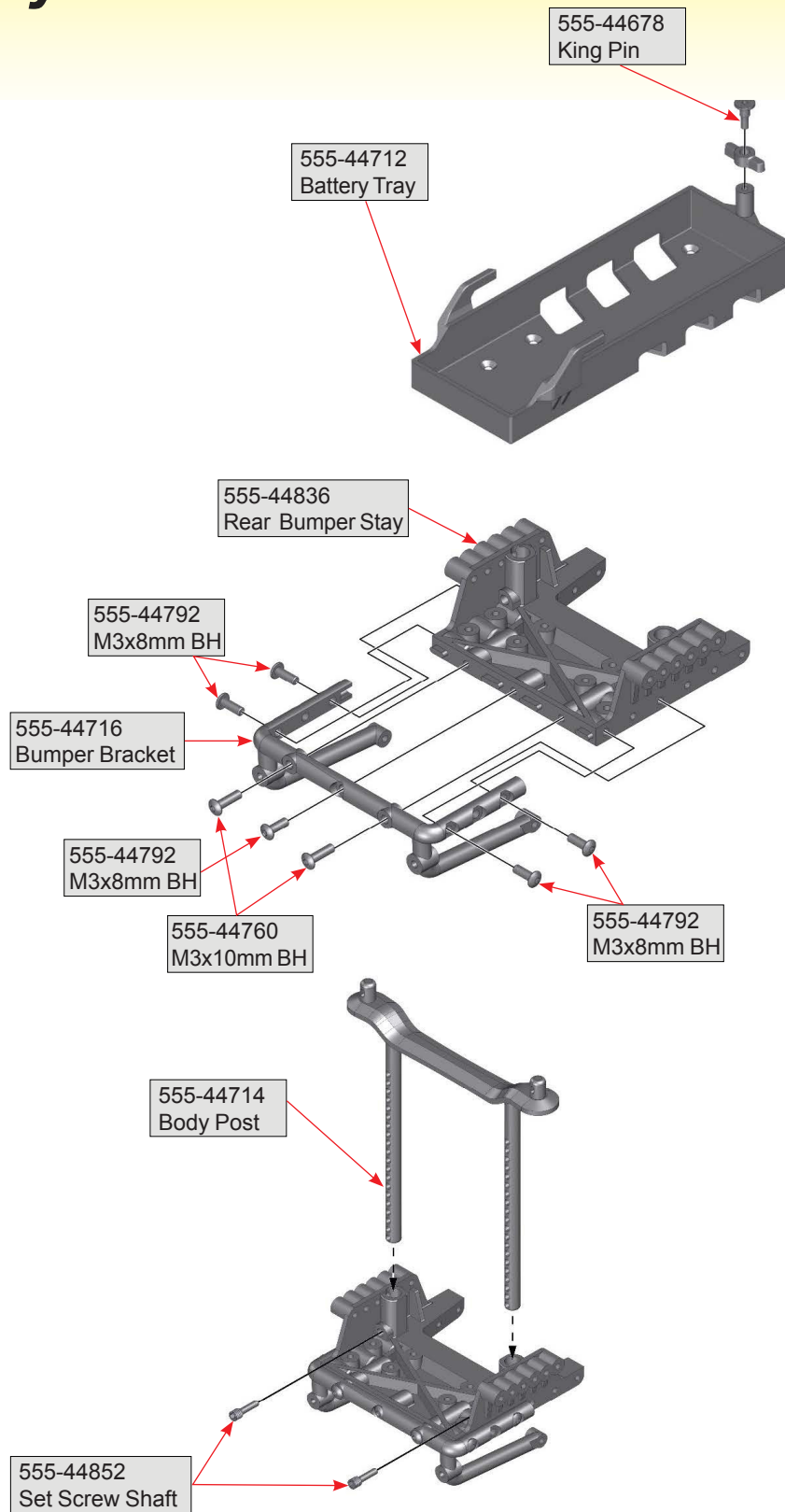
Radio Tray Continued

Bag D



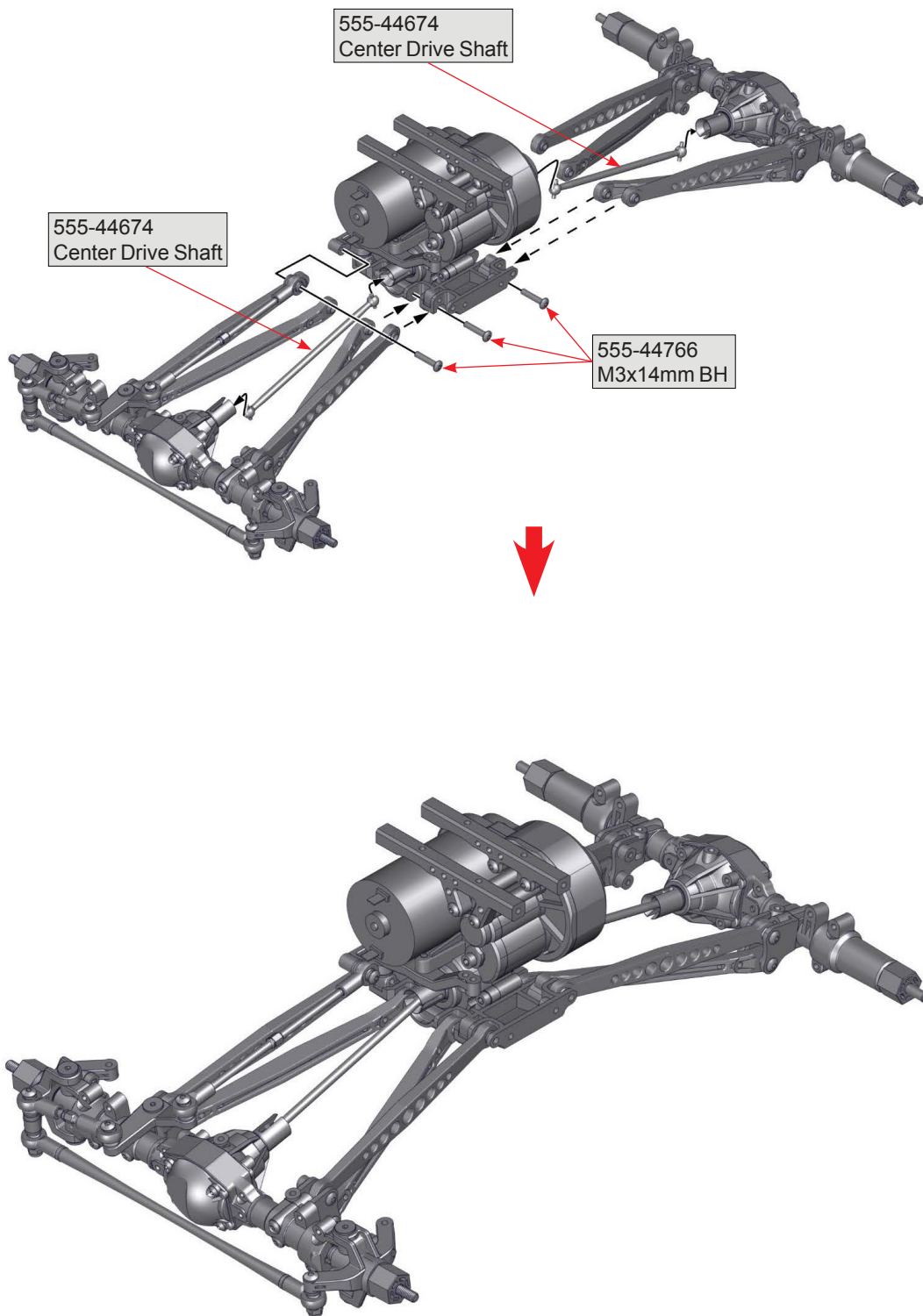
Battery Tray

Bag E



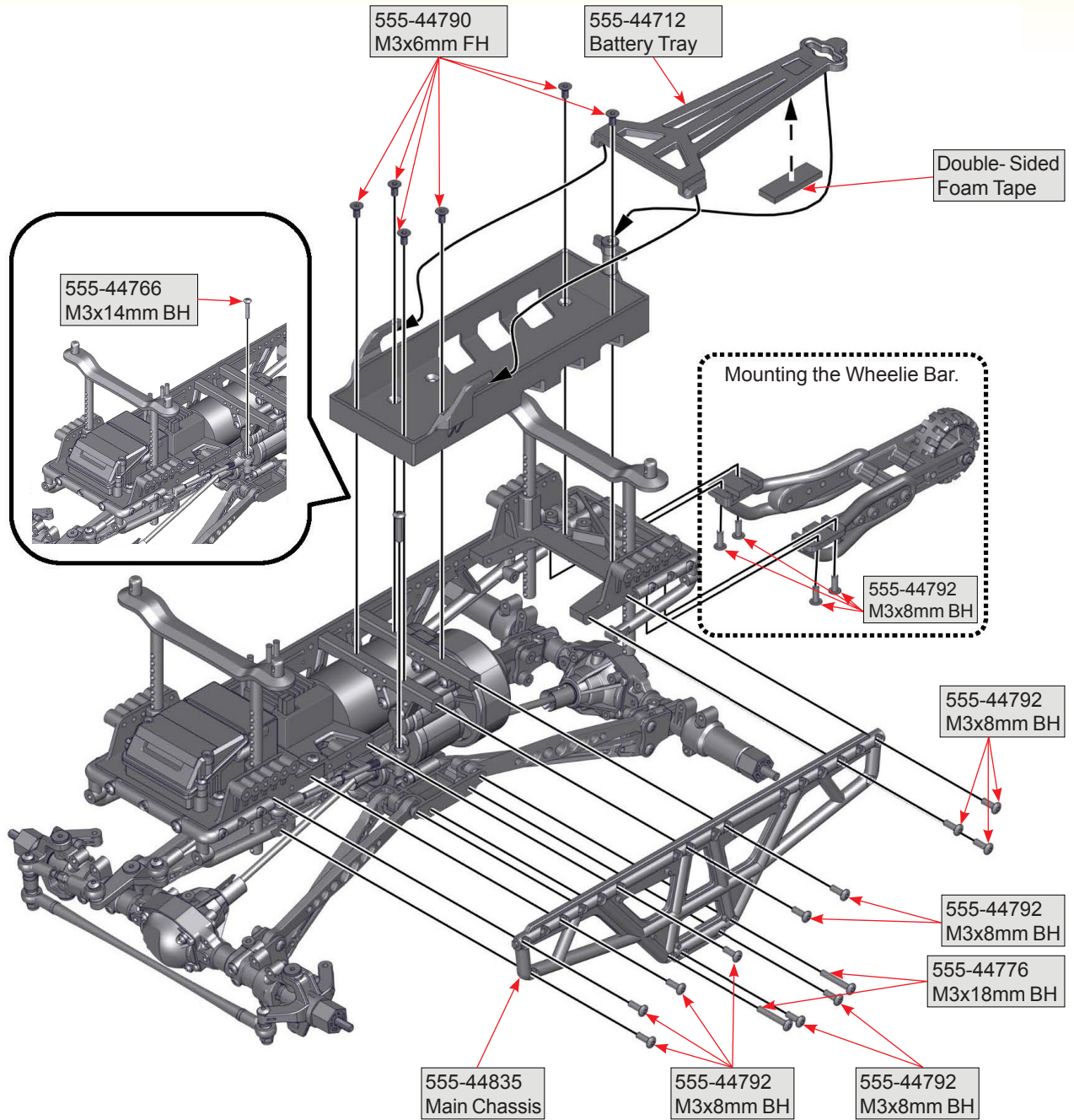
Chassis

Bag G



Chassis Continued

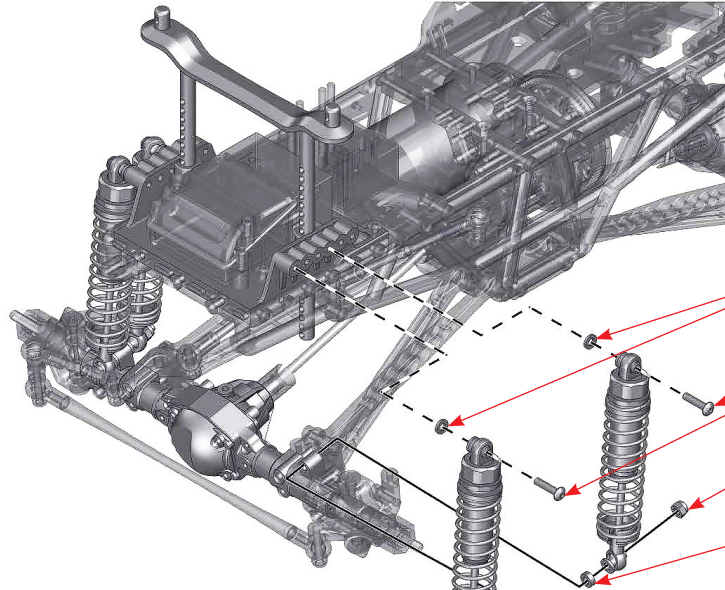
Bag G



Chassis Continued

Bag G

Front Shock Mounting Point



555-44808
3x6x1mm Spacer

555-44770
M3x16mm BH

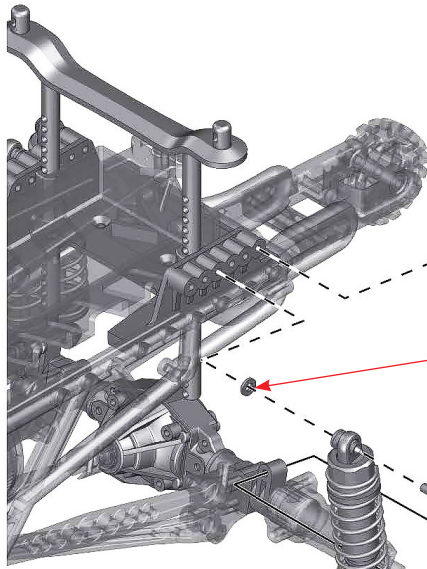
555-44662
M3 Nylon Locknut

555-44810
3x6x2mm Spacer

555-44780
M3x32mm BH



Rear Shock Mounting Point



555-44808
3x6x1mm Spacer

555-44770
M3x16mm BH

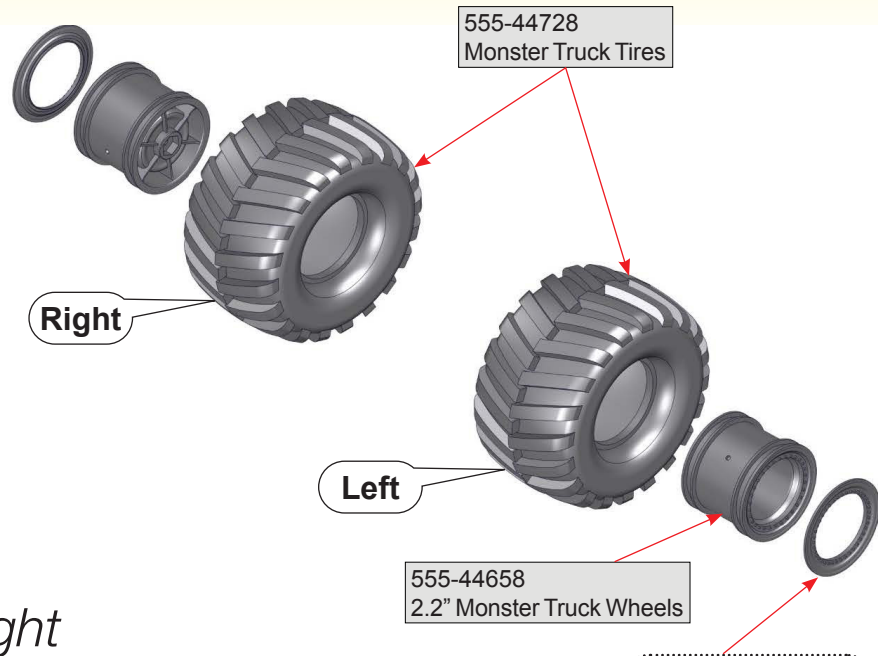
555-44780
M3x32mm BH

555-44662
M3 Nylon Locknut

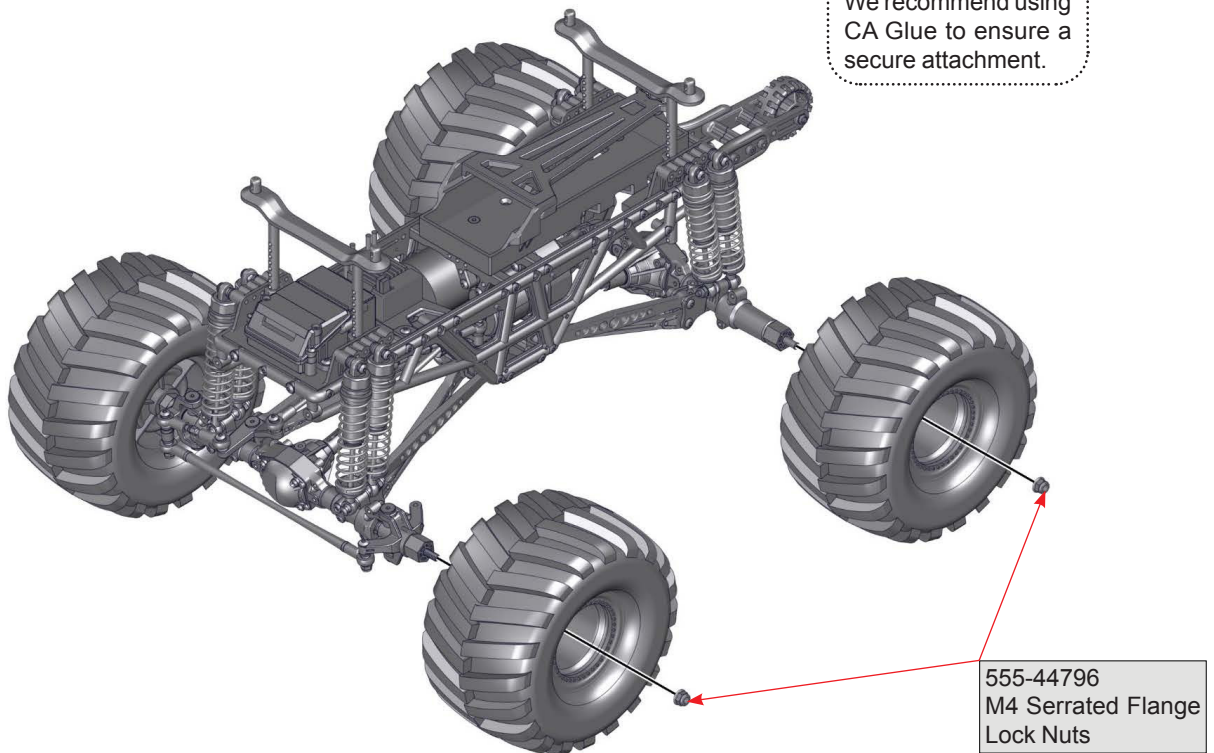
555-44810
3x6x2mm Spacer

Wheels & Tires

Bag H

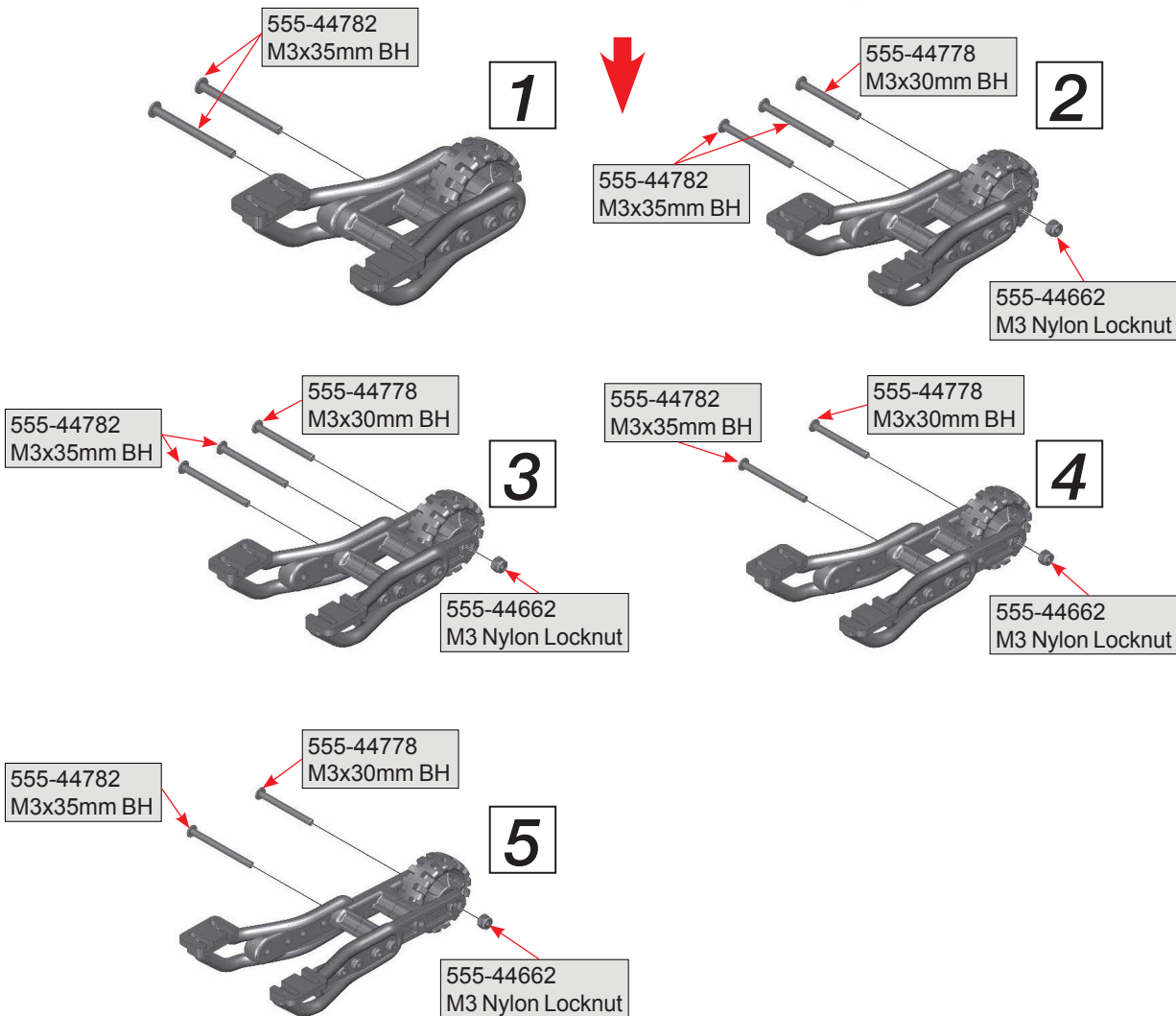
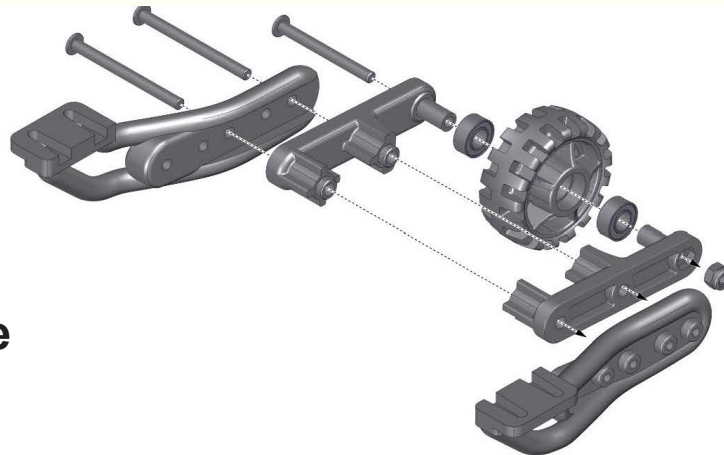


Assembly
2 Left & 2 Right

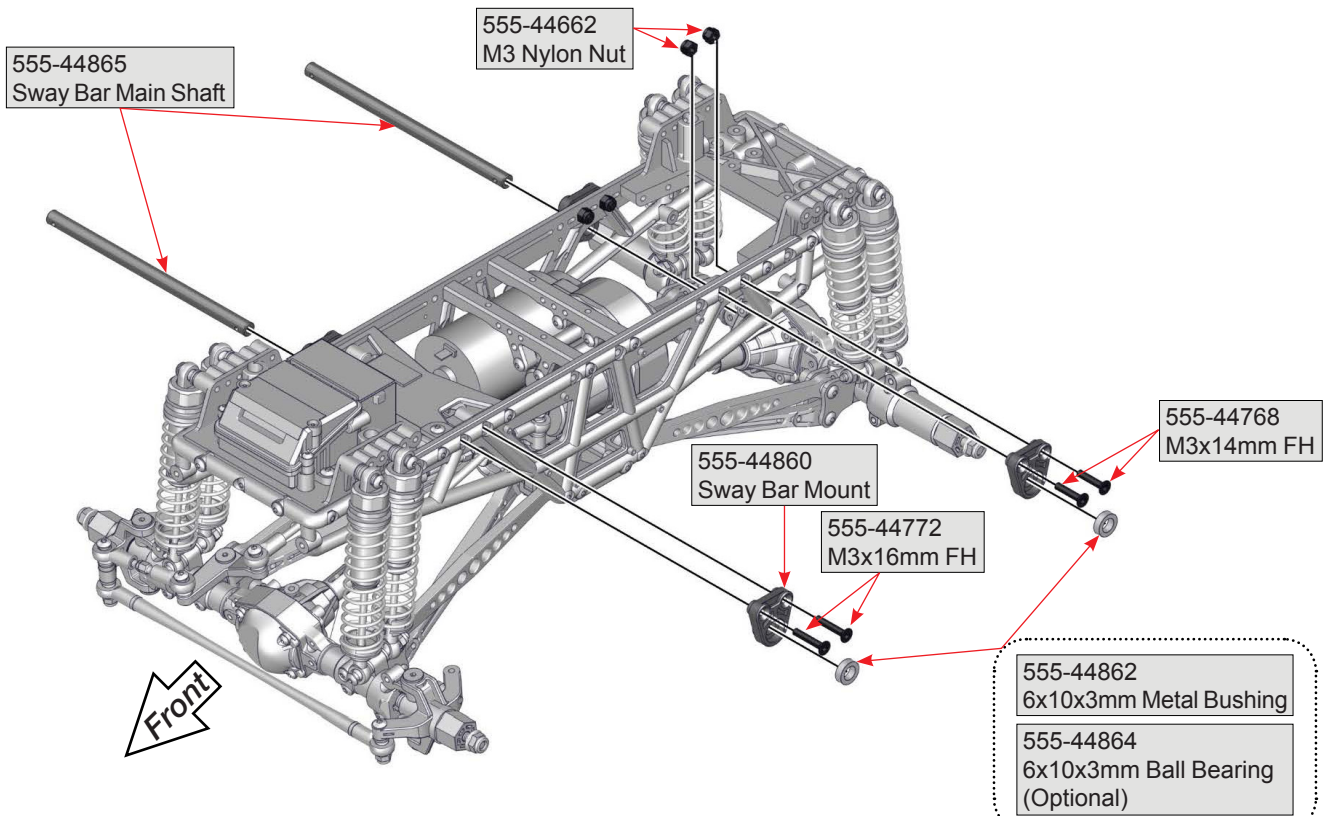
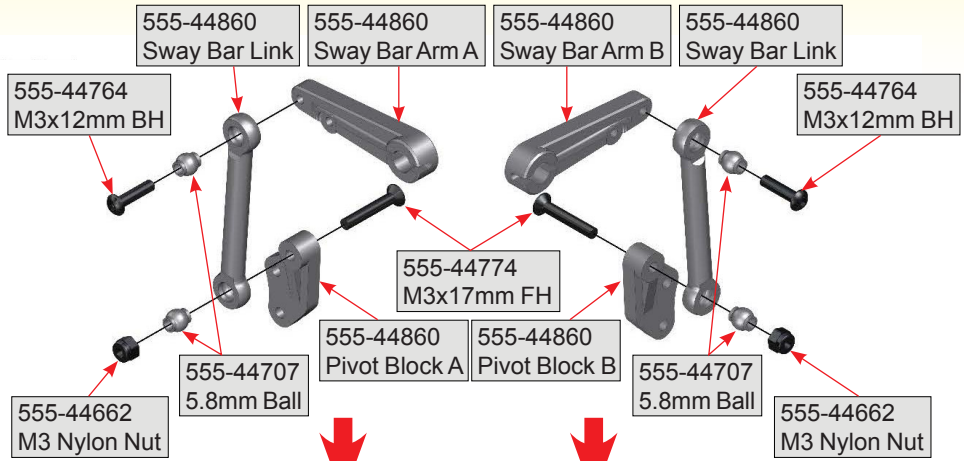
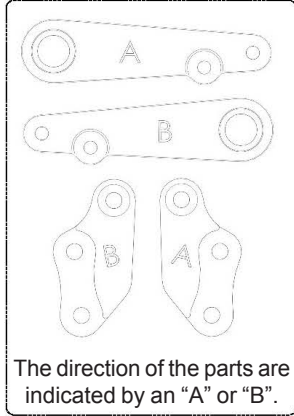


Wheelie Bar [Optional: 555-44660]

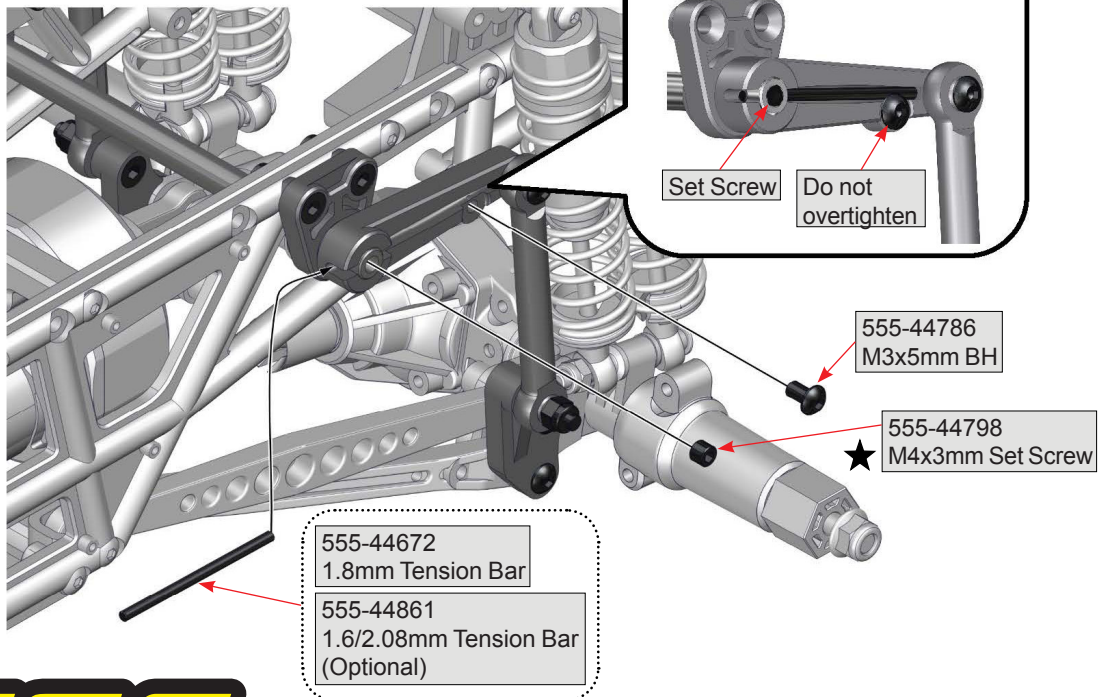
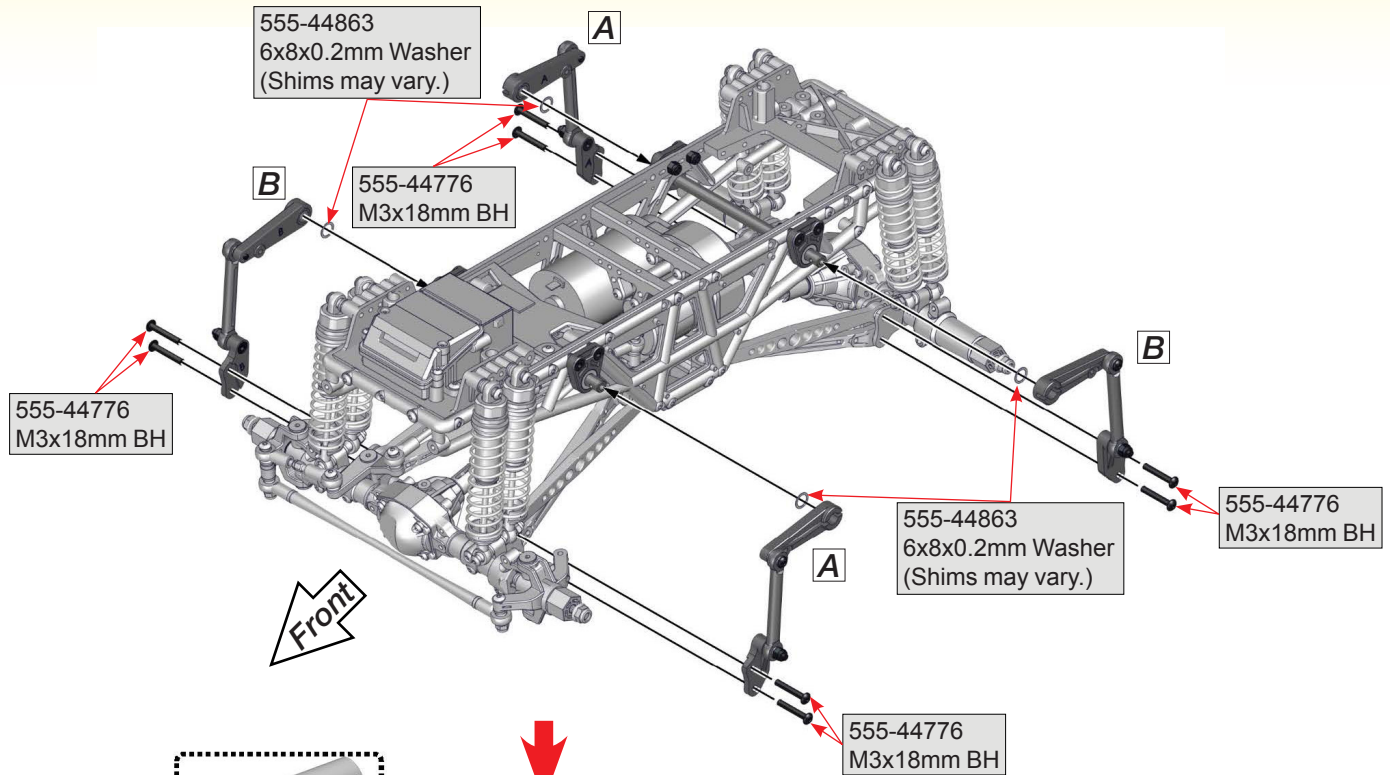
5-Way Adjustable



Sway Bar Assembly



Sway Bar Assembly Continued



Spare Parts List

	Part #	Description		Part #	Description
1.	555-44656	#6 Hood Pin (10 pcs.)	67.	555-44788	M3 x 6 mm Button Head Socket Screw (10 pcs.)
2.	555-44658	2.2 in. Monster Truck Wheel (2 pcs.)	68.	555-44790	M3 x 6 mm Flathead Socket Screw (10 pcs.)
3.	555-44660	Wheelie Bar Kit	69.	555-44792	M3 x 8 mm Button Head Socket Screw (10 pcs.)
4.	555-44662	Lock Nut 3mm (10 pcs.)	70.	555-44794	M3 x 8 mm Cap Screw (10 pcs.)
5.	555-44663	M2.5 x 12 mm Cap Screw (10 pcs.)	71.	555-44796	M4 Serrated Flange Lock Nut (4 pcs.)
6.	555-44664	M2.5 x 8 mm Cap Screw (10 pcs.)	72.	555-44800	Turnbuckle M3 x 25 mm
7.	555-44665	M2 x 12 mm Cap Screw (10 pcs.)	73.	555-44802	Turnbuckle M3 x 60 mm
8.	555-44666	M2 x 16 mm Cap Screw (10 pcs.)	74.	555-44804	Turnbuckle M3 x 90 mm
9.	555-44667	M2 x 8 mm Cap Screw (10 pcs.)	75.	555-44806	Washer 3 mm x 6 mm x 0.5 mm (6 pcs.)
10.	555-44668	M3 x 6 mm Cap Screw (10 pcs.)	76.	555-44808	Washer 3 mm x 5 mm x 1 mm (6 pcs.)
11.	555-44670	#2 E-Clip (10 pcs.)	77.	555-44810	Washer 3 mm x 6 mm x 2 mm (6 pcs.)
12.	555-44674	275W B Center Driveshaft (Front or Rear)	78.	555-44812	Washer 3 mm x 7 mm x 0.25 mm (6 pcs.)
13.	555-44676	ECS 40 Amp	79.	555-44813	Shock Diaphragm (4 pcs.)
14.	555-44678	King Pin (6 pcs.)	80.	555-44814	Black Shock Cap Optional (4 pcs.)
15.	555-44680	Mabuchi RS-550 Motor	81.	555-44815	Shock Spring - Long (4 pcs.)
16.	555-44682	MOD-3S 2.4 GHz Radio System (TX/RX)	82.	555-44816	Shock Plastic Parts (For 2 shocks)
17.	555-44684	MOD-3S 2.4 GHz Receiver (RX)	83.	555-44817	Ring Gear M1 x 30T
18.	555-44686	MOD-3S 2.4 GHz Transmitter (TX)	84.	555-44818	Pinion Gear M1 x 13T
19.	555-44688	275WB Chassis Extension Plate	85.	555-44819	Outdrive Cup - Front or Rear
20.	555-44690	275WB Front Axle Shaft or Rear 4WS	86.	555-44820	Wheel Axle (2 pcs.)
21.	555-44692	275WB Rear Axle Shaft	87.	555-44821	Main Gear Shaft
22.	555-44694	275WB Solid Axle (Front or Rear, Housing, Cover)	88.	555-44822	Wheel Hex - Direct Drive Spur Holder - Dust Plug
23.	555-44696	275WB Steering Drag Link	89.	555-44823	Spur Gear 85T 48p - For Non-Slipper Drive (Optional)
24.	555-44698	275WB Upper and Lower Link	90.	555-44824	Spur Gear 85T 48p - For Slipper Drive
25.	555-44700	2nd Gear Shaft	91.	555-44825	Metal Center Transmission Gear Set
26.	555-44702	3 x 50.5 mm Shock Chaft (4 pcs.)	92.	555-44826	Slipper Pad (2 pcs.)
27.	555-44704	4-Link Bracket A, B	93.	555-44827	Pinion Gear 16T 48p
28.	555-44706	5.8 mm Flanged Pivot Ball (16 pcs.)	94.	555-44828	Pinion Gear 18T 48p (Optional)
29.	555-44707	5.8 mm Pivot Ball (16 pcs.)	95.	555-44829	Pinion Gear 20T 48p (Optional)
30.	555-44708	5.8 mm Rod Ends (8 pcs.)	96.	555-44830	Slipper Hub Set
31.	555-44710	Thrust Bearing 5 mm x 10 mm	97.	555-44831	Slipper Spring
32.	555-44712	Battery Tray - Holder, Lock	98.	555-44832	Steering Knuckle (2 pcs.)
33.	555-44714	Body Post (For 275WB Chassis)	99.	555-44833	Straight Axle Adapter
34.	555-44716	Bumper Bracket - Black (For 275WB Chassis)	100.	555-44834	Main Chassis - Gray (Optional)
35.	555-44718	Center Locker	101.	555-44835	Main Chassis - Black
36.	555-44720	Center Outerdrive - 4.5mm Shaft (2 pcs.)	102.	555-44836	Servo Tray, Bumper Stay
37.	555-44722	Center Transmission Gear Box	103.	555-44837	Transmission Bracket A, B
38.	555-44724	C-Hub A, B	104.	555-44838	Receiver Box with Dust Seal
39.	555-44726	Differential Case - Plastic (2 pcs.)	105.	555-44839	Skid Plate
40.	555-44728	Monster Truck Tires	106.	555-44840	Steering Plastic Parts
41.	555-44730	Beadlock Ring - Orange (4 pcs.)	107.	555-44841	Servo Saver - 25Tc 24T, 23Tc Horn, Cap, Spring S
42.	555-44731	Beadlock Ring - Red (4 pcs.)	108.	555-44842	Wheelie Bar Plastic Parts
43.	555-44732	Bearing 10 mm x 15 mm x 4 mm (2 pcs.)	109.	555-44843	Engine Heat Sink Plate
44.	555-44734	Bearing 5 mm x 10 mm x 4 mm (2 pcs.)	110.	555-44844	Steering Servo (RTR-12 - 12 kg.)
45.	555-44736	Bearing 5 mm x 8 mm x 2.5 mm (2 pcs.)	111.	555-44845	Hooligan Body Decal
46.	555-44738	Differential Gear Set	112.	555-44846	Torch Decal Set
47.	555-44740	Flange Lock Nut 4 (4 pcs.)	113.	555-44847	Hooligan Painted Body with Decal
48.	555-44742	Hooligan Bumper Set - Front and Rear	114.	555-44848	Hooligan Clear Body with Decal
49.	555-44746	M2.5 x 18 mm Button Head Socket Screw (10 pcs.)	115.	555-44849	Hooligan Roll Cage and Light Housing
50.	555-44748	M2.5 x 6 mm Button Head Socket Screw (10 pcs.)	116.	555-44850	Torch Painted Body with Decal
51.	555-44750	M2.5 x 8 mm Hex Head Socket Screw (10 pcs.)	117.	555-44851	Torch Clear Body with Decal
52.	555-44752	M2 x 5 mm Cap Screw (10 pcs.)	118.	555-44852	Screw Shaft 4 mm x 2.5 mm x 12 mm (10 pcs.)
53.	555-44754	M2 x 6 mm Button Head Socket Screw (10 pcs.)	119.	555-44853	Servo Saver Spring (2 pcs.)
54.	555-44756	M2 x 6 mm Cap Screw (10 pcs.)	120.	555-44854	Pin 2 mm x 10 mm (6 pcs.)
55.	555-44758	M2 x 8 mm Flathead Socket Screw (10 pcs.)	121.	555-44855	Pin 2 mm x 8 mm (6 pcs.)
56.	555-44760	M3 x 10 mm Button Head Socket Screw (10 pcs.)	122.	555-44856	Shim 5 mm x 7 mm x 0.20 mm (10 pcs.)
57.	555-44762	M3 x 10 mm Cap Screw (10 pcs.)	123.	555-44857	Shim 10 mm x 12.5 mm x 0.10 mm (10 pcs.)
58.	555-44764	M3 x 12 mm Button Head Socket Screw (10 pcs.)	124.	555-44858	O-Ring P3 (10 pcs.)
59.	555-44766	M3 x 14 mm Button Head Socket Screw (10 pcs.)	125.	555-44859	O-Ring P3 NBR (10 pcs.)
60.	555-44770	M3 x 16 mm Button Head Socket Screw (10 pcs.)	126.	555-44860	Sway Bar Components
61.	555-44776	M3 x 18 mm Button Head Socket Screw (10 pcs.)	127.	555-44861	1.6 / 2.0mm Tension Bar
62.	555-44778	M3 x 30 mm Button Head Socket Screw (10 pcs.)	128.	555-44862	6 mm x 10 mm x 3 mm Metal Bushing
63.	555-44780	M3 x 32 mm Button Head Socket Screw (10 pcs.)	129.	555-44863	6 mm x 8 mm x 0.2 mm Washer
64.	555-44782	M3 x 35 mm Button Head Socket Screw (10 pcs.)	130.	555-44864	6 mm x 10 mm x 3 mm Ball Bearing
65.	555-44784	M3 x 3 mm Set Screw (10 pcs.)	131.	555-44865	Sway Bar Main Shaft
66.	555-44786	M3 x 5 mm Button Head Socket Screw (10 pcs.)			



JEGS.com

1-800-345-4545