

Installation Instructions for the 51300, 51302 Max Box 5.0L Sheet Metal Intake Plenum

Removal of original intake:

1. Disconnect the Battery.
2. Remove air cleaner box, Mass Air Flow meter (MAF) and air intake tube.
3. Remove throttle cable and throttle linkage bracket.
4. Disconnect the engine harness from the Idle Air Control valve, Throttle Position Sensor and EGR valve. Also disconnect the EGR vacuum line and breather vent tube from throttle body.
5. Remove the throttle body and EGR plate.
6. Remove the throttle body and EGR studs (to be re-used in installation step 11 below). If the system will be used with an EGR eliminator, purchase #720-59 1.375" studs (sold separately).
7. Remove the EFI cover (if equipped).
8. Remove the intake manifold and vacuum lines.

Safety Guidelines

It is the sole responsibility of the installer/user to insure that all linkage(s) operates freely and without binding or sticking. Serious damage to property or personal injury could occur as a result.

Installation of the JEGS Max Box:

1. Preparing the Max Box for installation:
 - a. Install supplied o-ring in groove in top of intake.
 - b. Install intake lid using the 12 supplied flat head screws. Tighten from the center out.
 - c. Install the 3 supplied 1/8" NPT fittings in rear of intake (see [Figure 1](#) below). From left to right (when viewing from the back of the intake) install the two 90 degree fittings first. The left fitting should point to the left. The center fitting should point down. The straight fitting should be installed on the far right.
2. Clean existing intake surface of any residual gasket material.
3. Install the 6 supplied studs into the existing manifold base with a dab of blue (medium) threadlocker and hand tighten.
4. Loosen the passenger side fuel rail.
5. Install the supplied intake plenum gasket over the studs.
6. With the intake level to all the studs, install the Max Box on the lower intake.
7. Tighten intake down from the center out using supplied 1/2" washers and nuts.
8. Install vacuum lines. The use of a vacuum tee maybe needed.
9. Tighten the passenger side fuel rail which was loosened in step 5.
10. Install the throttle body & EGR studs with a dab of blue (medium) threadlocker and hand tighten.
11. Reinstall EGR plate, throttle body, hoses and electrical connections using supplied gaskets.
Reinstall throttle linkage bracket and throttle cable. **Be sure throttle linkage has full travel and that all linkage(s) operates freely and without binding or sticking before proceeding. Serious damage to property or personal injury could occur as a result.**
12. Reinstall intake tube, Mass Air Flow meter and air cleaner box.
13. Re-connect the battery.
14. Start engine and check for any vacuum leaks or loose connections.

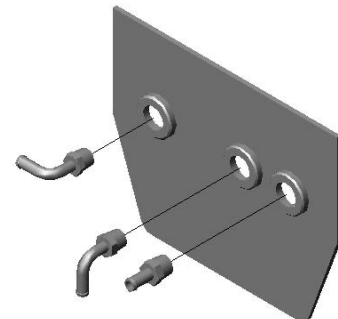


Figure 1



1-800-345-4545 jegs.com