

Installation Instructions for 51820

A/C Manifold Gauge Set

For use with R-410A, R-22, R-134a, & R-404A

Purpose & Use:

These manifolds have been designed especially to measure pressure in refrigeration equipment. The manifold may only be used by trained technicians.

- The manifold must not be used for any task other than refrigeration applications in connection with refrigerants. The manifold is not suitable for other liquids or gases other than those indicated on the gauge.
- The manifold must not be used with pressure higher than the pressure scale indicated on the high pressure gauge of the manifold.
- The manifold can in no case be used as a pressure regulator.
- Safety goggles and gloves must be worn at all time during the use of the manifold.

Technical Description:

The 2-way manifold is a high precision instrument. Both gauges, high and low pressure can be readjusted to the zero point. The manifold gauges are marked with temperature and pressure scales and are equipped with interchangeable refrigerant scales.

Changeable piston type valves ensure perfect sealing, Glycerin-oil filled gauges are equipped with a safety pressure relief in case of a pressure build up in the hose anchors on the side and at the front of the T-style for storage during nonuse. This protects the hoses against contamination or damage.

Use of Manifold:

Preparing

Before use ensure that the temperature scales on the manifold gauges match the refrigerants used in the system. Adjust the gauge with the zero adjusting screw to zero. Position of the hand may vary and might not point to zero depending on the atmospheric pressure. Readjusting the gauge might therefore be necessary before each use of the manifold. The zero adjusting screw is positioned either at the top or through the front lens depending on the type of manifold.

Note: A 1/4 in. SAE male to 1/2 in. ACME female adapter is included & may be required for some R-134a applications.

Connect the manifold to a system

- Connect blue hose (4) to compound side of system
- Connect red hose (5) to pressure side of system
- Connect yellow hose (8) to vacuum pump
- Close both valves (6 & 7)

Evacuation of system

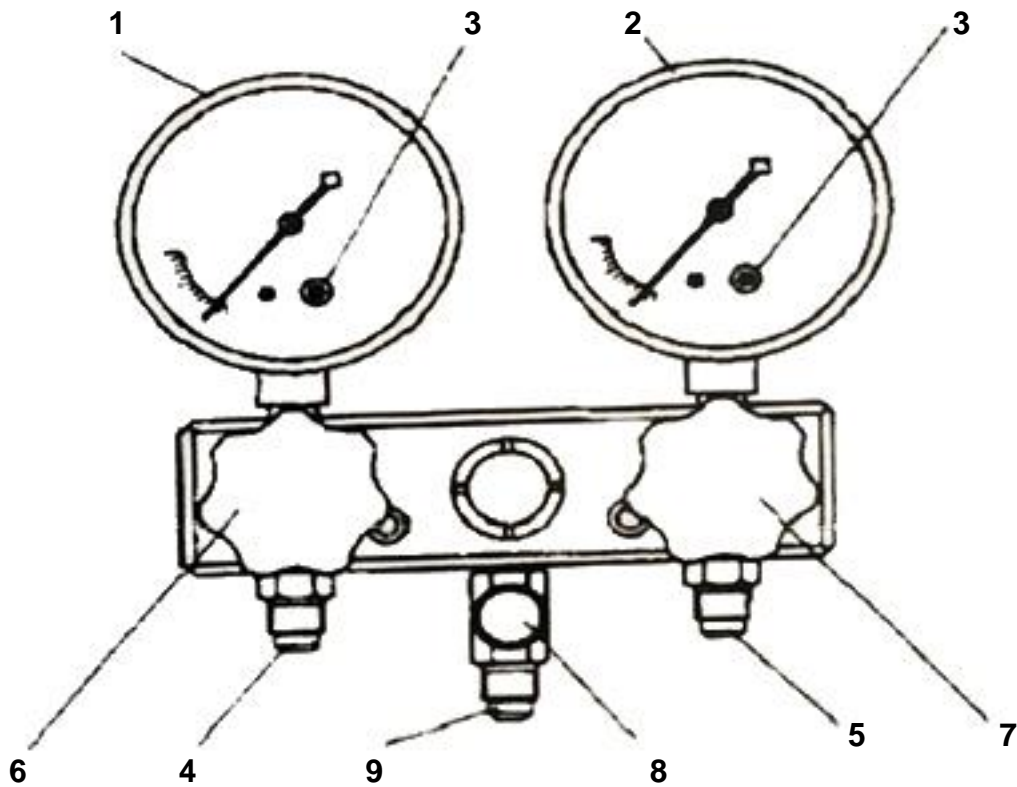
- Turn on the vacuum pump
- Open both valves (6 & 7)
- Check pressure on compound gauge
- If vacuum reached close both valves (6 & 7)

Finishing

- Disconnect all hoses to the system
- Open valves (6 & 7)



1-800-345-4545 jeps.com



Index

- 1 Compound gauge
- 2 Pressure gauge
- 3 Adjusting screw
- 4 Compound connection
- 5 Pressure connection
- 6 Compound valve
- 7 Pressure valve
- 8 Vacuum connection
- 9 Refrigerant connection