

Installation Instructions for 60795 & 60796 Power Steering Pump Bracket

Note: Read these instructions completely before starting the installation.

Instructions:

These brackets are designed for use on non-metric GM Saginaw style power steering pump with the attached reservoir. Most Pre '69 pumps have a single groove pulley attached with a nut, while later V-8 pumps can have either a single or a double groove pulley pressed on the pump. Either style pump may be used. Most short water pump applications use a crankshaft power steering pulley that bolts over the existing pulley. This should align with the power steering pump pulley.

There are two possible ways to mount the lower bracket depending on your needs. There is a lower position and a higher mounting position. The difference is the location of the hole that attaches the pump in relation to the mount on the engine. Figure # 2 shows the upper position. To use the lower position, flip the lower mounting plates over.

Loosely assemble the mounting brackets. Use a 1/8" thick washer between the spacer and the water pump on the adjustment arm bracket.

Verify the fit of your belts with the bracket positions and then tighten all the bolts and adjust the tension as normal.

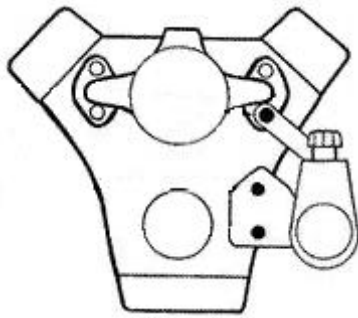


Figure # 1

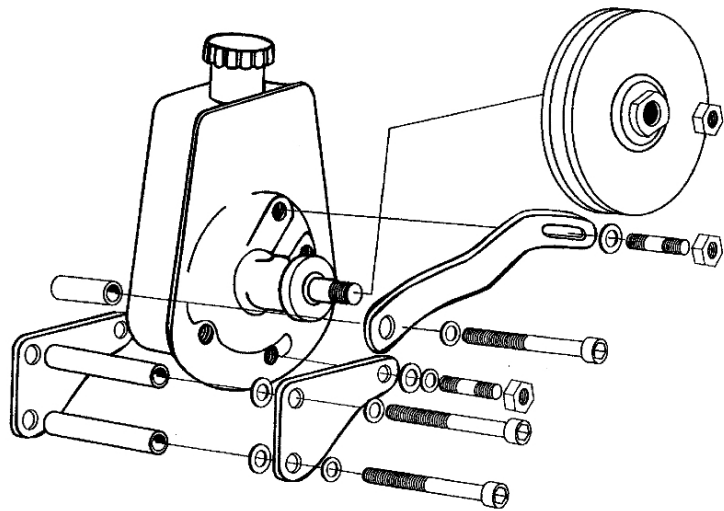


Figure # 2