

Installation Instructions for Keyed Steering Columns Column & Floor Shift 5-Position Tilt

Please read before installing

Remove steering wheel adapter from column.

The end of the column is a 1 in. DD hallow shaft. A 1 in. DD U-joint is needed for the column end and the correct end for your steering box.



Install the tilt lever into the lower hole on the shaft. Install the turn signal lever into the upper hole of the column and tighten the screw provided.

Install the hazard knob into the column by screwing it in.



Note: For column shift only:

The shifting arm should be installed in the column before it is placed in the vehicle.

1. Grease spring and insert into the cast hole. Use a screwdriver or needle nose pliers to help the process.



2. Position the shifting arm into the casting and align the holes in the shifting arm and the shift collar.

3. Using a hammer and punch, tab the pin until it is flushed.



4. Supplied with the column is an optional shift indicator lens. Please check your application.

5. The shift lever at the bottom of the column can be unbolted and repositioned to your specific needs.

Installing the Steering Wheel

1. The spline on the column is a GM spline for 1969 - 1994 steering wheels without airbags.

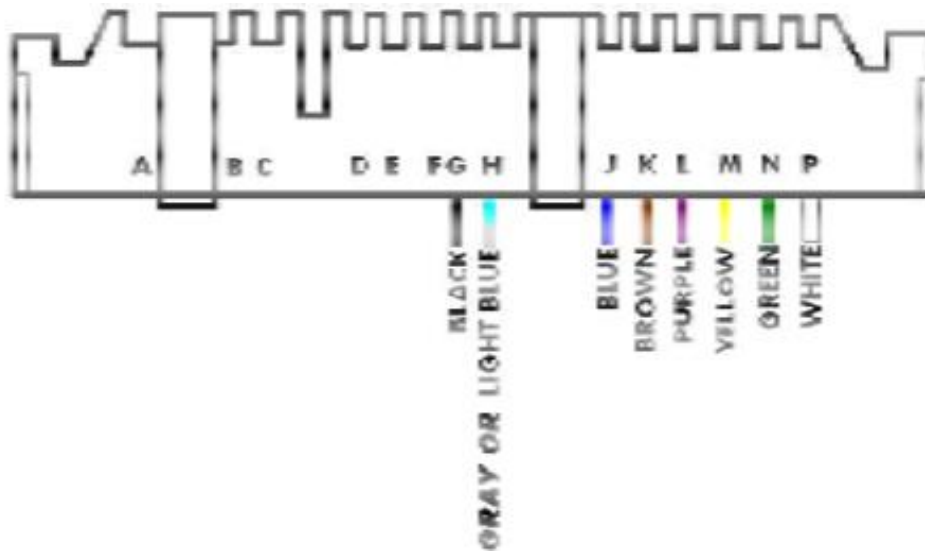
2. Install the compression spring under the canceling cam. Position the canceling cam between 10 and 11 o'clock. The spacer is placed on top of the canceling cam and under the adapter.



3. Install adapter on steering column spline shaft and screw nut on column shaft. Tighten nut but do not over torque.

Warning: You must install a neutral safety switch on all automatic transmissions.

Wiring Diagram:



LETTER	COLOR	FUNCTION
G	BLACK	HORN
H	GRAY/LIGHT BLUE	LEFT FRONT TURN SIGNAL
J	BLUE	RIGHT FRONT TURN SIGNAL
K	BROWN	HAZARD
L	PURPLE	TURN SIGNAL POWER (MAIN)
M	YELLOW	LEFT REAR TURN SIGNAL
N	GREEN	RIGHT REAR TURN SIGNAL
P	WHITE	BRAKE LIGHT
--	BLACK	COLUMN SHIFT ONLY - GEARSHIFT INDICATOR IS CONNECT TO DASH LIGHTS

Steering Column and Ignition Switch Wiring

Conversion from GM Wire Color Codes For Ford and Chrysler Applications

Turn Signal & Horn Master Connector

	Port	GM Wire Color	Ford Wire Color	Chrysler Wire Color 1970s	Chrysler Wire Color 1980s
Horn	G	Black or Lite Green	Yellow	Black	Black
Left Front Turn	H	Lite Blue	Green	Green	Lite Green
Right Front Turn	J	Blue	White	Tan	Tan
Hazard Power	K	Brown	White	n/a	Pink
Turn Signal Power	L	Purple	Blue	Red	Red
Left Rear Turn	M	Yellow	Green	Dark Green	Dark Green
Right Real Turn	N	Green	Orange	Brown	Brown
Brake Light Input	P	White	Green	White	White

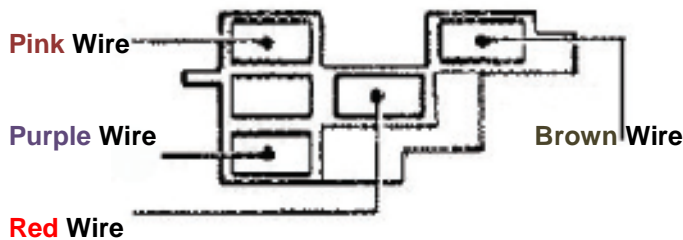
Ignition Switch Connector (White connector)

Accessory	Brown	Not used	Black	Black
Battery Power (B+)	Red	Yellow	Red	Red
Ignition Coil +	Pink	Red	Brown	Brown
Start	Purple	White	Yellow	Yellow

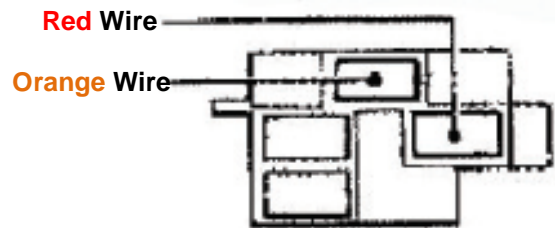
Ignition Switch Connector (Black connector)

Ignition Switch	Red	Yellow	Red	Red
Accessory (uses larger terminal)	Orange	Black	Blue	Blue

White Connector



Black Connector



Neutral Safety and Back Up Light Switch

The neutral safety switch and the back-up light switch are combined into a single unit which is mounted on the lower portion of the steering column. The neutral safety switch interrupts power from the ignition switch to the starter solenoid (usually a purple wire) when the shifter is in any position other than park or neutral.

** Use original connectors or insulated spade terminals on connections.

**Neutral Safety
Terminals are
stacked**



TURN SIGNAL CANCELING

1. Install the large 5/8 in. aluminum spacer (Large) over the column shaft.
2. Next install the Canceling Cam Spring over the column shaft and down to the 5/8 in. aluminum spacer.
3. Then slide the Canceling Cam over the column shaft and canceling cam spring. (figure A)
4. Place the final 3/16 in. aluminum spacer (small) over the column shaft and down to the canceling cam.(figure A)
5. For proper operation of the canceling cam, align the canceling cam stem between the 10 and 11 o'clock position. (figure B)
6. When installing your steering wheel adapter, tighten the retaining nut to 50 ft lbs torque.

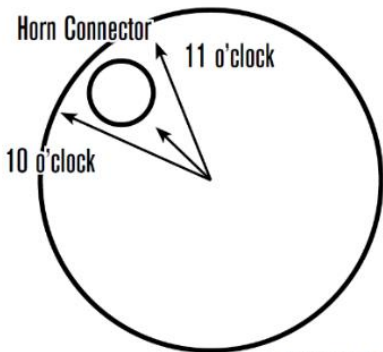
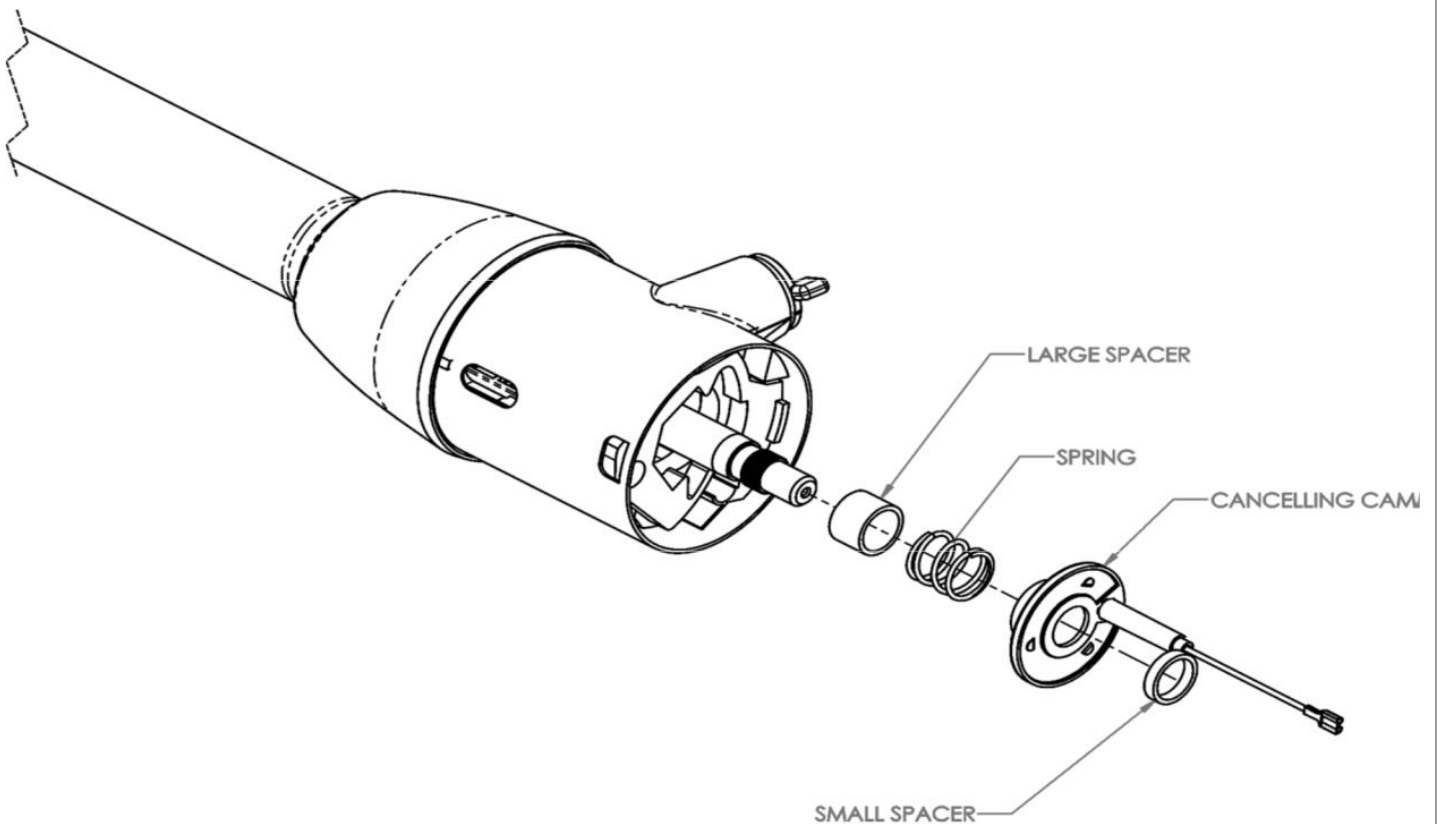


FIGURE B