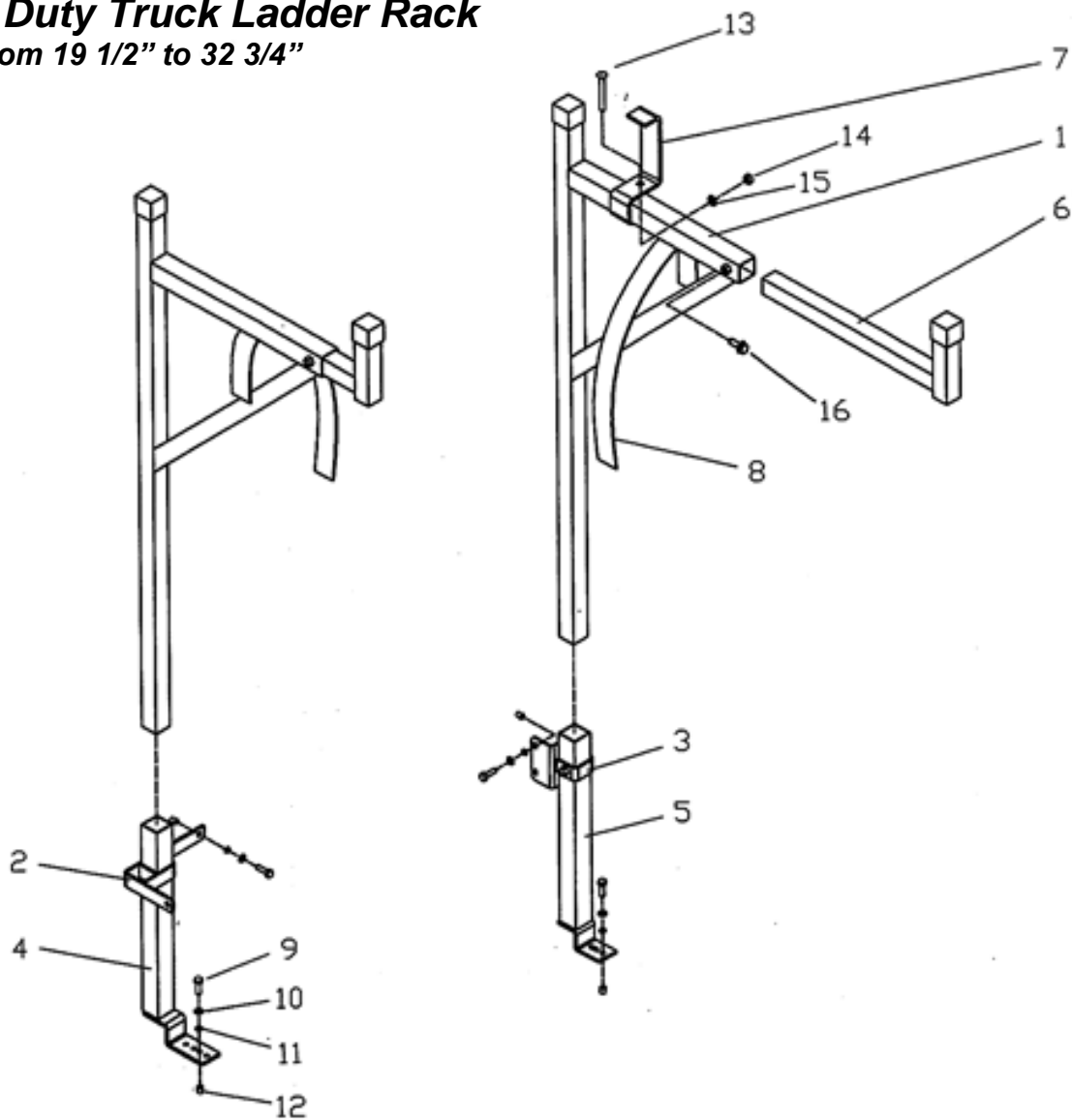


Installation Instructions for 71105
Heavy Duty Truck Ladder Rack
 Adjust from 19 1/2" to 32 3/4"



Part	Description	Qty
1	Frame	2
2	Front Mounting Bracket	1
3	Rear Mounting Bracket	1
4	Front Base	1
5	Rear Base	1
6	Arm	2
7	Ladder Stop	1
8	Strap	2
9	Hex Bolt M8 x 30	9
10	Flat Washer Ø8	9
11	Spring Washer Ø8	9

Part	Description	Qty
12	Blind Fastener	9
13	Carriage Bolt M10 x 80	1
14	Flat Washer Ø10	1
15	Nylon Insert Nut M10	1
16	Jam Bolt	4
	Installation Bolt M8 x 55 (tool)	1
	Flat Washer Ø8 (tool)	1
	Unthreaded Installation Nut (tool)	1
	Screw M5 x 70	4
	Flat Washer Ø5	4
	Nylon Insert Nut M5	4
	Cleat	2