

Installation Instructions for 79002

2 Ton (4,000 lbs.) Hydraulic Jack with 2 Ton (4,000 lbs.) Jack Stands

CAUTION: Before using this product, read this manual and follow all Safety Rules and Operational Instructions.

Owner and/or Operator Responsibility The owner and/or operator shall read, study and understand the product instructions and retain them for future reference.

Operation

Safety information shall be emphasized and understood.

If the operator is not fluent in English, the product warnings /cautions and instructions shall be read to and discussed with the operator in operator's native language by purchaser/owner or his designee, insuring that the operator comprehends their content.

Inspection

(a) Visual inspection **MUST** be made prior to each use of the jack. Check for cracks, cracked welds, missing or damaged parts.

(b) Keep all moving parts clean and well lubricated.

(c) Owners and/or operators should be aware that repair of this equipment may require specialized knowledge and facilities. It is recommended that an annual inspection of the product be made by a manufacturer or supplier's authorized repair facility and that any defective parts, decals, or safety labels and signs be replaced with manufacturer or supplier's specified parts.

Damaged Equipment

Any jack that appears to be damaged in any way or is found to be worn or operates abnormally **SHALL BE REMOVED FROM SERVICE IMMEDIATELY UNTIL REPAIRED**. It is recommended that a manufacturer or supplier's authorized repair facility make necessary repairs if the manufacturer or supplier permits repairs.

Alterations

Because of potential hazards associated with the misuse of equipment of this type, **NO MODIFICATIONS OR ALTERATIONS** shall be made to the product.

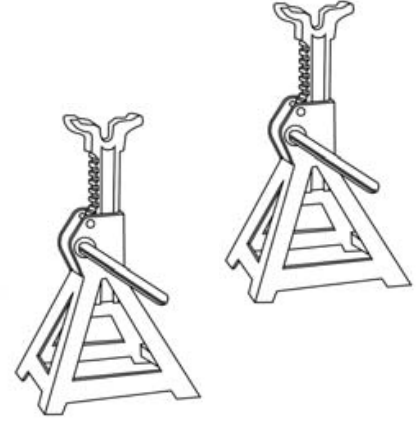
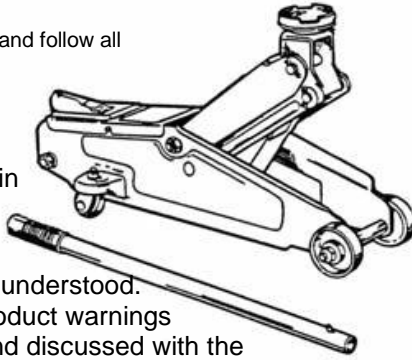
Attachments and Adaptors

Only attachments and/or adaptors supplied by the manufacturer shall be used.

WARNING

Read, study and understand all instructions before operating this device.

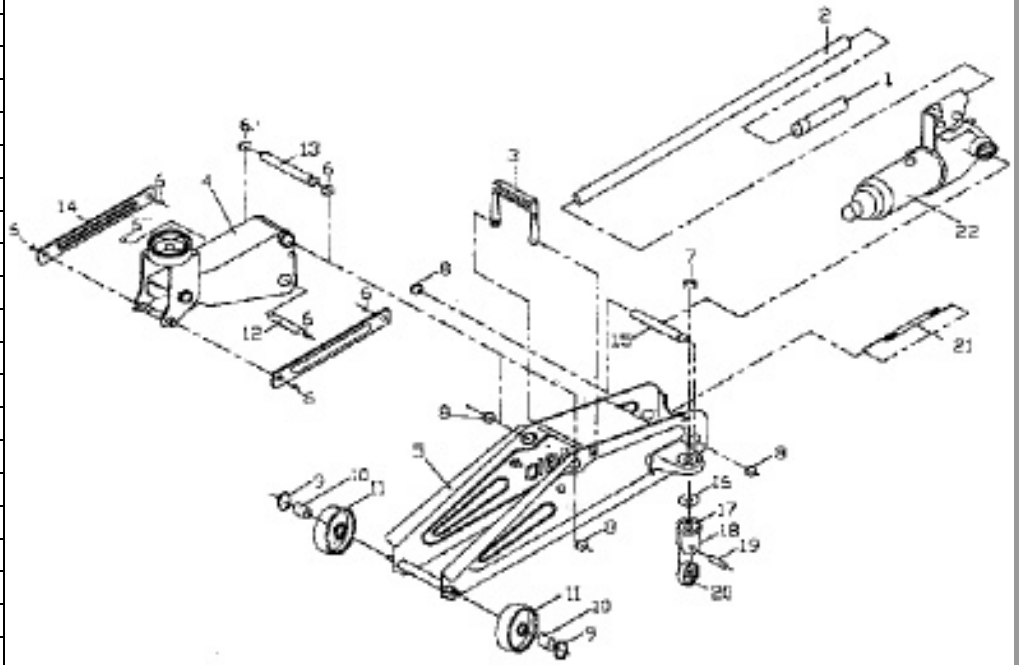
- Do not exceed rated capacity. Over-loading may cause damage to/or failure of the jack.
- Always use only on hard, level surface. Do not use equipment on slopes or angles.
- Lifting device only. Jack must not be used as a jack stand to hold loads for prolonged periods of time.
- Immediately after lifting, support the vehicle with appropriate means. Use jack stands in pairs to support loads. Inspect jack stands before use as indicated by the manufacturer's owner's manual.
- Lift only on areas of the vehicle as specified by the vehicle manufacturer's owner's manual.
- Center load on the jack saddle. Off center loads can cause loss of load or damages to load and/or equipment.
- Never work directly under a supported load.
- Do not move or dolly the vehicle while on the jack.
- Place wheel chocks under vehicle wheels on both sides to prevent rolling.
- Use in dry, well-lit areas.
- Keep children and bystanders away. Children must never be allowed in work area. Do not let children play on or around jack or lifted load.
- Any jack that appears to be damaged in any way or is found to be worn or operates abnormally **SHALL BE REMOVED FROM SERVICE IMMEDIATELY UNTIL REPAIRED**. It is recommended that a manufacturer or supplier's authorized repair facility make necessary repairs if the manufacturer or supplier permits repairs.
- Because of potential hazards associated with this type of equipment, **NO ALTERATIONS SHALL BE MADE** to this product.
- Only attachments and/or adapters supplied by the manufacturer shall be used.
- Failure to heed these warnings may result in property damage, personal injury and/or death.



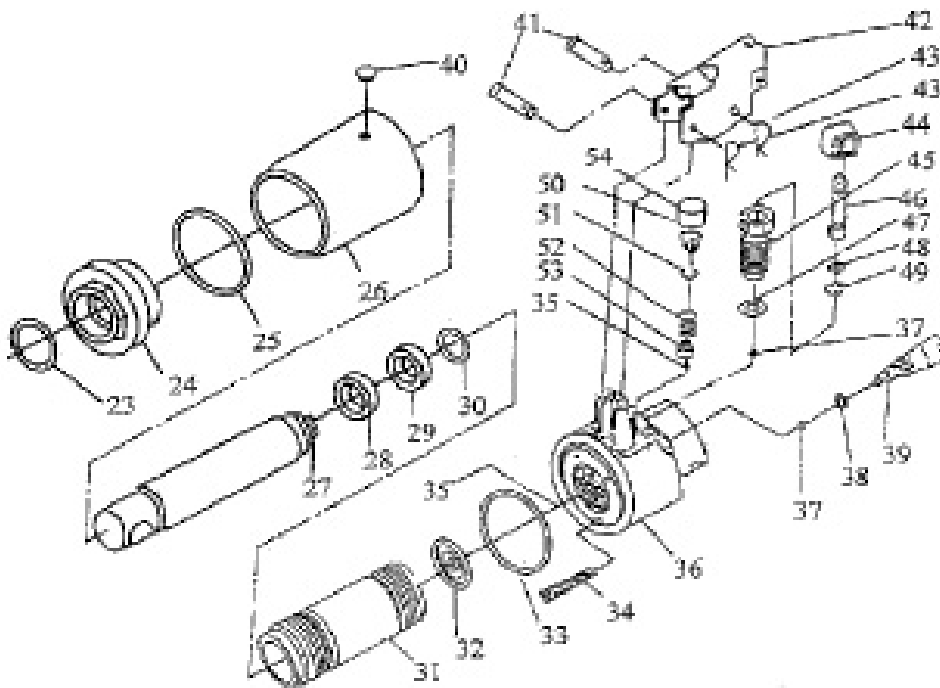
1-800-345-4545 jeps.com

Parts List and Diagrams

Part #	Qty	Description
1	1	Cap & Release Valve
2	1	Handle
3	1	Portable Handle
4	1	Lifting Arm
5	1	Side Board
6	8	Circlip
7	2	Nut
8	4	Circlip
9	2	Flat Washer
10	2	Spacer, Front Wheel
11	2	Front Wheel
12	1	Cross Head Pin
13	1	Spindle, Lifting Arm
14	2	Radius Link
15	1	Anchor Bolt
16	2	Steel Ball Bearing
17	2	Bolt, Caster Wheel
18	2	Fork, Caster Wheel
19	2	Spindle, Caster Wheel
20	2	Caster Wheel
21	1	Return Spring
22	1	Hydraulic Unit Assembly



Part #	Qty	Description
23	1	Top Nut O-Ring
24	1	Top Nut
25	1	Small Nylon Washer
26	1	Oil Reserve
27	1	Ram
28	1	Collar
29	1	Cup Seal Ram
30	1	O-Ring Seal
31	1	Cylinder
32	1	Copper Washer
33	1	Large Nylon Washer
34	1	Screen Filter Body
35	2	Steel Ball 3/16"
36	1	Power Unit Casting
37	2	Steel Ball 1/4"
38	1	Release Valve O-Ring
39	1	Release Valve
40	1	Filler Plug
41	2	Connector Pin
42	1	Operating Link
43	2	Split Pin
44	1	Spring Clip
45	1	Pump Cylinder
46	1	Piston
47	1	Copper Washer
48	1	Back up Ring
49	1	O-Ring
50	1	Overload Valve Screen
51	1	Overload Valve O-Ring
52	1	Spring Overload Valve
53	1	Spring Guard
54	1	Cap



JEGS
Performance Products

1-800-345-4545 jeps.com

Operation for 2 Ton (4,000 lbs.) Hydraulic Jack Lift Range 5-1/8" to 13"

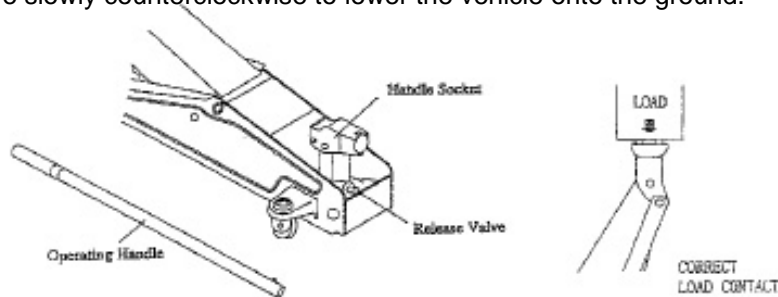
Prior to each use, visually inspect jack. Check for cracks, cracked welds, and missing and/or damaged parts. Any jack that appears to be damaged in any of these ways must not be used.

To Lift

- Turn the release valve clockwise to the closed position. Do not over tighten.
- Consult the vehicle owner's manual to determine the location of jack points and position the jack under the prescribed lift point. Be sure to set the vehicle parking brake and lock the wheels.
- Be sure that the vehicle and the jack are on a hard, level surface.
- Begin lifting by pumping the handle up and down.
- Always use jack stands in pairs to support loads at locations recommended by the vehicle manufacturer. Jacks are not designed to maintain heavy loads for prolonged periods of time.
- Turn the release valve slowly counterclockwise to lower the vehicle onto jack stands.

To Lower

- Turn the release valve clockwise to the closed position. Do not over tighten.
- Pump the handle up and down to lift vehicle off jack stands.
- Remove the jack stands. Do not get under or let anyone under the vehicle while lowering.
- Turn the release valve slowly counterclockwise to lower the vehicle onto the ground.



Maintenance

- Visual inspection **MUST** be made prior to each use of jack. Check for cracks, cracked welds, missing or damaged parts.
- Keep all moving parts clean and well lubricated.
- Owners and/or operators should be aware that repair of this equipment may require specialized knowledge and facilities. It is recommended that an annual inspection of the product be made by a manufacturer or supplier's authorized repair facility and that any defective parts, decals, or safety labels and signs be replaced with manufacturer or supplier's specified parts.

Troubleshooting

Problem	Possible Cause	Remedy
Saddle won't rise	<ol style="list-style-type: none"> Release valve open Oil exhausted Defective suction and/or exhaust valve. Parking worn out or defective. 	<ol style="list-style-type: none"> Tighten release valve Fill tank with oil. Check for dust or foreign matter inside and clean. Replace packing.
Lifts only half way	<ol style="list-style-type: none"> Insufficient oil. 	<ol style="list-style-type: none"> Check oil
Lifts, then lowers out of control	<ol style="list-style-type: none"> Air in system. Defective suction and/or release valve. Defective piston packing. 	<ol style="list-style-type: none"> Open oil plug on the front of cylinder. Hold saddle down. Open release valve and pump handle several times. Clean valves and adjust valve contact. Replace the piston packing.
Erratic lift.	<ol style="list-style-type: none"> Defective plunger packing and/or valve. 	<ol style="list-style-type: none"> Clean valves and/or packing.

Check and Refill Oil

Use hydraulic jack oil only. Do not use brake or transmission fluids or regular motor oil or any other fluids as they may damage the seals.

- (a) Turn the release valve counterclockwise to allow ram to fully retract. It may be necessary to apply force to the saddle for complete lowering.
- (b) With the jack in the level position, remove the oil fill plug. Stand jack in a vertical position with the handle socket down. The oil should be level with the bottom of fill hole. If not, top off. Do not overfill. Always fill with new, clean hydraulic jack oil.
- (c) Replace oil fill plug and check jack operation.
- (d) Purge air from system as required.

Air Purge Procedure

During shipment or after refilling oil, air may get into the hydraulic system causing poor lift performance. Purge system for better performance.

- (a) Turn the release valve fully counterclockwise to fully open the release valve.
- (b) Pump handle rapidly several times
- (c) Turn the release valve clockwise to close the release valve.
- (d) Pump the handle until the lift arm reaches maximum height and continue to pump several times to remove trapped air in the ram.
- (e) Turn the release valve counterclockwise in one full turn and lower lift arm to the lowest position. Use force on saddle if necessary.
- (f) Carefully and slowly pinch oil fill plug to release trapped air.
- (g) Turn the release valve clockwise to closed position and check for proper pump action. It may be necessary to perform the above steps more than once to assure air is completely evacuated.

Operation for 2 Ton (4,000 lbs.) Jack Stands Lift Range 10-3/8" to 16-1/4"

The owner and/or operator shall have an understanding of the product and safety operating instructions before operating the product. Safety information shall be emphasized and understood. If the operator is not fluent in English, the product warnings/cautions and instructions shall be read to and discussed with the operator in operator's native language by purchaser/owner or his designee, insuring that the operator comprehends their content.

Inspection

- Visual inspection MUST be made prior to each use of the jack stand. Check for cracks, cracked welds, missing or damaged parts.
- Inspections shall be made in accordance with this manual.
- Keep all moving parts clean and well lubricated.
- Each jack stand shall be inspected immediately if the stand is believed to have been subjected to an abnormal load or shock.
- Owners and/or operators should be aware that repair of this equipment may require specialized knowledge and facilities. It is recommended that an annual inspection of the product be made by a manufacturer or supplier's authorized repair facility and that any defective parts, decals, or safety labels and signs be replaced with manufacturer or supplier's specified parts.
- A list of authorized repair facilities is available from the manufacturer or supplier. Jack stands are to be returned to the manufacturer per stated Return Policy.

Damaged Equipment

Any jack stand that appears to be damaged in any way or is found to be worn or operates abnormally SHALL BE REMOVED FROM SERVICE IMMEDIATELY UNTIL REPAIRED. It is recommended that a manufacturer or supplier's authorized repair facility make necessary repairs if the manufacturer or supplier permits repairs.

Alterations

Because of potential hazards associated with the misuse of equipment of this type, NO MODIFICATIONS/ALTERATIONS shall be made to the product.

Attachments and Adaptors

Only attachments and/or adaptors supplied by the manufacturer shall be used.



1-800-345-4545 jeps.com

WARNING

Read, study and understand all instructions before operating this device.

- Do not exceed rated capacity.
- Over-loading may cause damage to/or failure of the jack stand.
- Use only on hard, level surface capable of sustaining load.
- Center load on saddle.
- Never use stand individually. Always use in pairs.
- Both stands must be set at the same height with the ratchet lock fully engaged.
- Be sure that load and stands are stable. Unstable stand may result in possible loss of load.
- Support only on areas of the vehicle as specified by the vehicle manufacturer's owner's manual.
- Adequately support the vehicle before starting repairs.
- Stand is intended to provide partial support of vehicle.
- Secure emergency/parking brake whenever possible.
- Stands are not to be used to simultaneously support both ends or one side of a vehicle. Use as a matched pair to support one end of a vehicle only.
- Make sure the load is stable before going under the vehicle. Do not rock or jack the load.
- Do not crawl under vehicle during placement of stands.
- Always chock the tires that remain on the surface.
- Keep children and bystanders away from lift area.
- Because of potential hazards associated with the misuse of equipment of this type, NO MODIFICATIONS or ALTERATIONS shall be made to the product.
- Any jack that appears to be damaged in any way or is found to be worn or operates abnormally SHALL BE REMOVED FROM SERVICE IMMEDIATELY UNTIL REPAIRED. It is recommended that a manufacturer or supplier's authorized repair facility make necessary repairs if the manufacturer or supplier permits repairs
- Failure to heed these warnings may result in property damage, personal injury and/or death.

Please make sure that no parts are missing before assembling/operating.

Operation

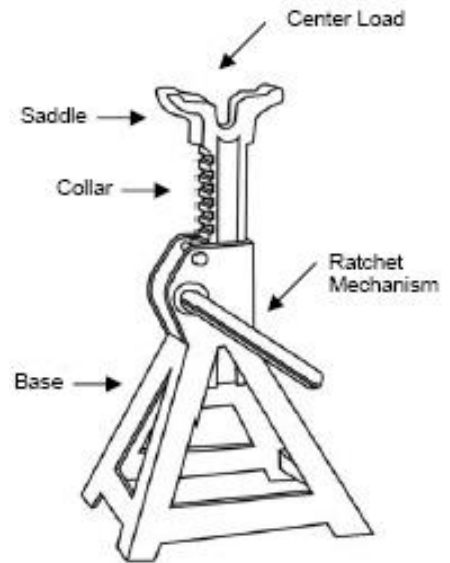
Prior to each use, visually inspect jack stands. Check for cracks, cracked welds, and missing and/or damaged parts. Any jack that appears to be damaged in any of these ways must not be used.

This unit has a ratchet locking mechanism for safe, strong jack stand height control. All joints are fully welded for added strength. Stands are quality enamel coated with solid steel locking handle. This unit also has a unitized frame construction. ANSI approved.

1. Prior to each use, inspection for damage/ear and test of ratchet is required. If any damage or abnormal function is found, do not use either stand.
2. Place the jack stand on hard, level surface.
3. Adjust the height by pulling up on the ratchet.
4. Place the load on the center of the saddle (ratchet stem). See Parts Diagram. For safety concerns, it is strongly recommended that the vehicle lift device not be removed while the jack stands are supporting the vehicle.
5. Fix the ratchet by turning the stopper to hold the load. Please make sure the stopper has been securely inserted.
6. Release the stopper and let the ratchet glide down to the lowest position when you want to store the jack stand.

Maintenance

- Visual inspection MUST be made prior to each use. Check for cracks, cracked welds, missing or damaged parts.
- The jack stand shall be maintained in accordance with the product instructions.
- Keep all moving parts clean and well lubricated.
- Owners and/or operators should be aware that repair of this equipment may require specialized knowledge and facilities. It is recommended that an annual inspection of the product be made by a manufacturer or supplier's authorized repair facility and that any defective parts, decals, or safety labels and signs be replaced with manufacturer or supplier's specified parts.



1-800-345-4545 jegs.com