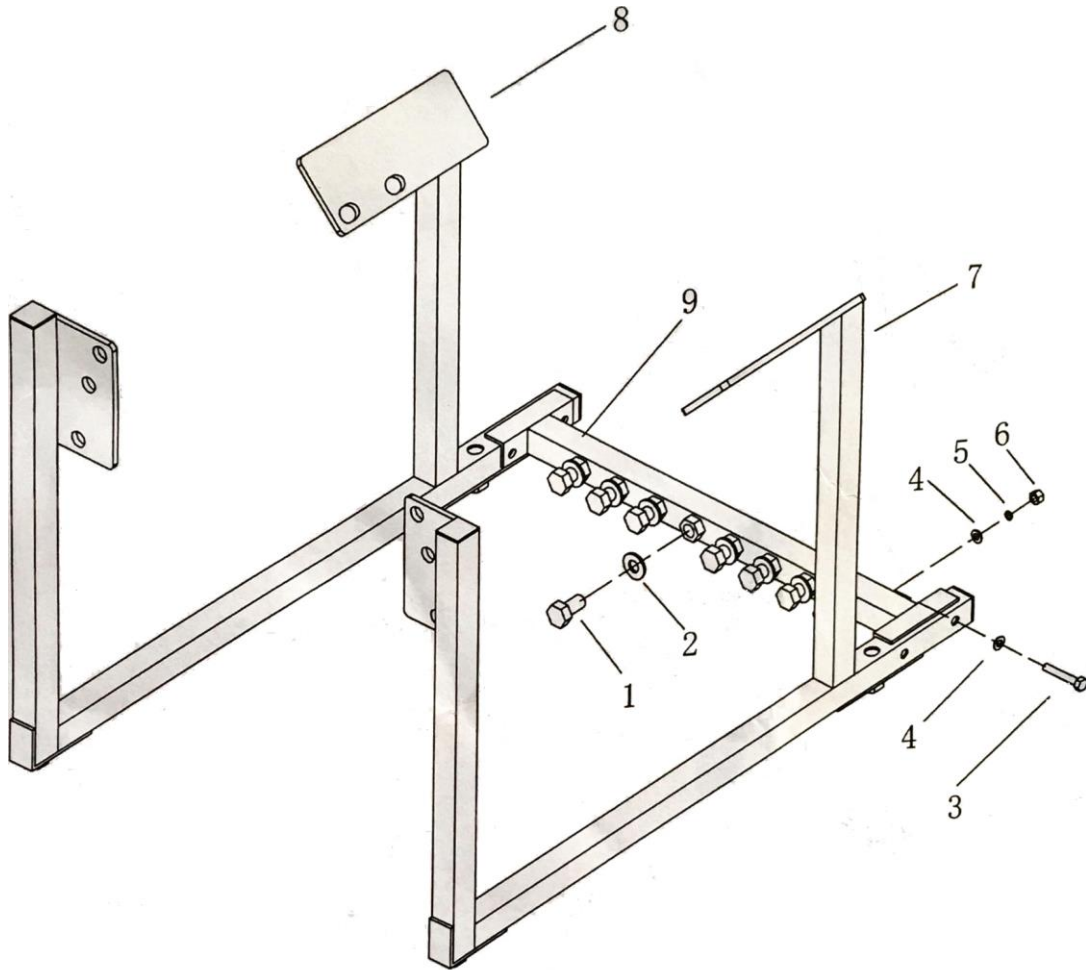


Installation Instructions for 800646 Big Block Ford Engine Cradle



Part	Description	Qty
1	Bolt 7/16"-3/4"	8
2	7/16" Washer	8
3	Bolt M6 x 40	4
4	M6 Washer	8
5	M6 Spring Washer	4
6	M6 Nut	4
7	Part 1	1
8	Part 2	1
9	Part 3	1