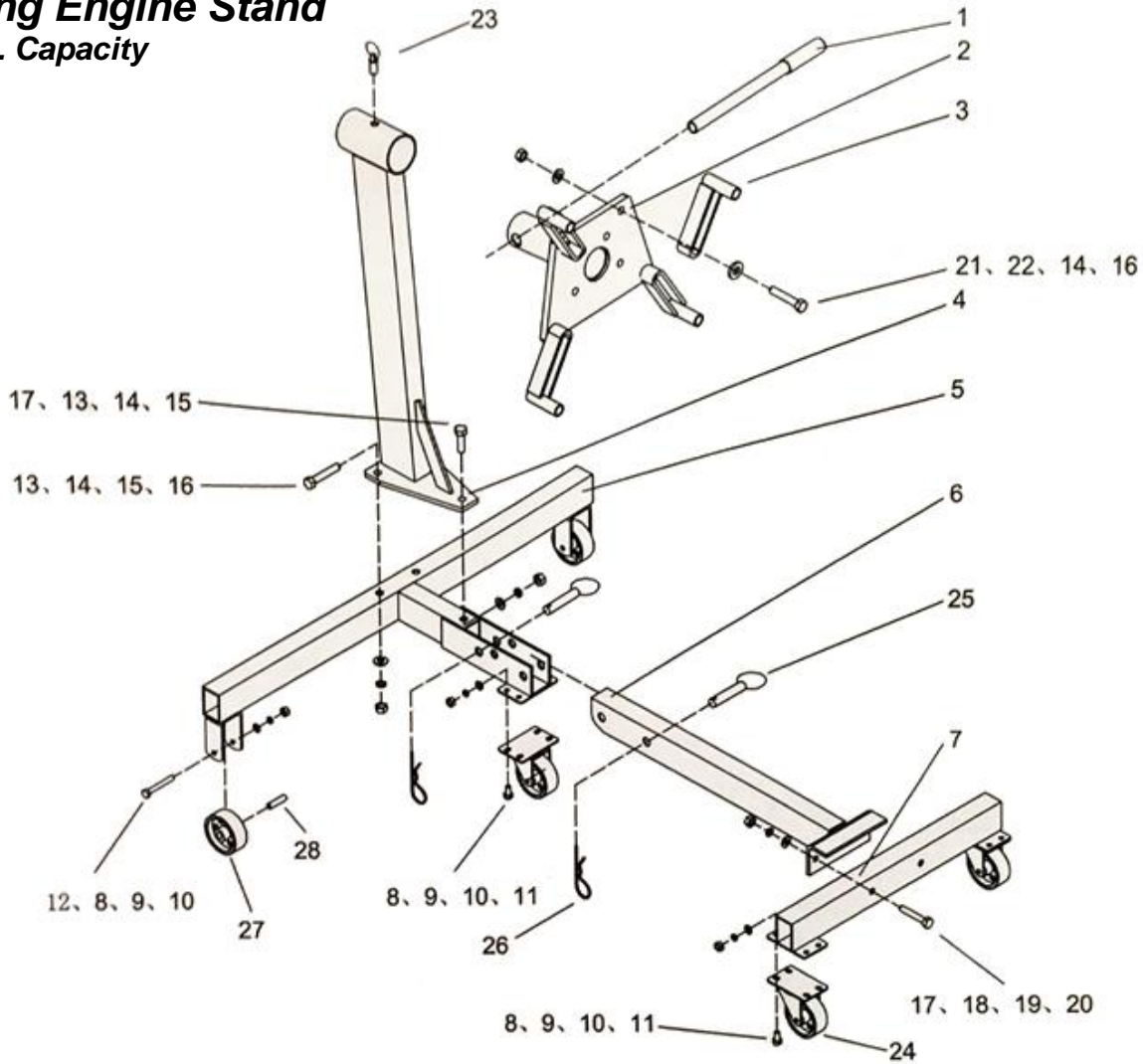


Installation Instructions for 80098
Folding Engine Stand
 1250 lb. Capacity



| PART | DESCRIPTION | QTY |
|------|------------------|-----|
| 1 | Handle | 1 |
| 2 | Turning Plate | 1 |
| 3 | Mounting Arms | 4 |
| 4 | Support | 1 |
| 5 | Back Rest | 1 |
| 6 | In the beam | 1 |
| 7 | The front beam | 1 |
| 8 | Bolt M8X16 | 12 |
| 9 | Ø8 Washer | 14 |
| 10 | Ø8 Spring washer | 14 |
| 11 | M8 Nut | 14 |
| 12 | Bolt M8X65 | 2 |
| 13 | Bolt M12X90 | 2 |
| 14 | Ø12 Washer | 7 |

| PART | DESCRIPTION | QTY |
|------|-------------------|-----|
| 15 | Ø12 Spring washer | 3 |
| 16 | M12 Nut | 7 |
| 17 | Bolt M10X60 | 2 |
| 18 | Ø10 Washer | 2 |
| 19 | Ø10 Spring washer | 2 |
| 20 | M10 Nut | 2 |
| 21 | Bolt M12X65 | 4 |
| 22 | Big Washer | 4 |
| 23 | Pin | 1 |
| 24 | 3" wheel | 2 |
| 25 | Pin 1 | 2 |
| 26 | "R" Pin | 2 |
| 27 | 3" wheel | 3 |
| 28 | 3" Iron wheel | 2 |



1-800-345-4545 jeps.com