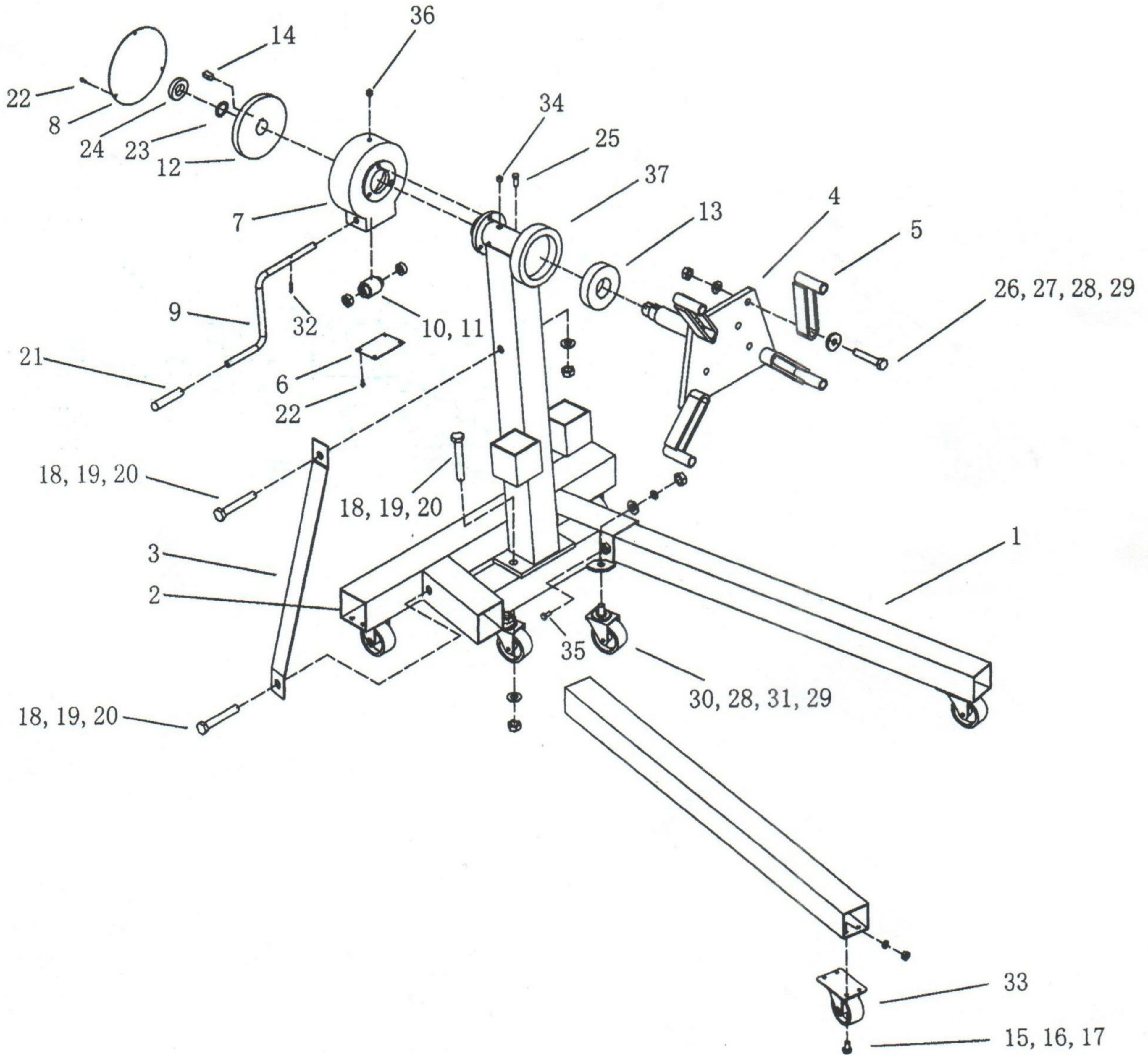


1500 LBS ENGINE STAND



PART	DESCRIPTION	QTY
1	Legs	2
2	Rear Cross Beam	1
3	Support	2
4	Turning Plate	1
5	Mounting arms	4
6	Square iron cover	1
7	turntable	1
8	Circular iron cover	1
9	Handle	1
10	Gear a	1
11	Plane bearing	2
12	Gear b	1
13	Bearing	1
14	Key pin	1
15	Bolt M8X16	16
16	Ø8 Spring washer	16
17	M8 Nut	16
18	Bolt M14X100	5

PART	DESCRIPTION	QTY
19	Ø14 Washer	5
20	M14 Nut	5
21	Handle sleeve	1
22	Bolt M4X6	7
23	Ø24 Washer	1
24	M24 Nut	1
25	Inner six angle bolt	3
26	Bolt M12X65	4
27	Big Washer	4
28	Ø12 Washer	6
29	M12 Nut	6
30	3" Wheel a	2
31	Ø8 Spring washer	2
32	Pin *	1
33	3" Wheel b	4
34	Choke a	1
35	Bolt M12X25	2
36	Choke b	1
36	Column	1