

Installation Instructions for 80387

Folding Tire Rack

This product is designed for certain applications only. The manufacturer cannot be responsible for issues arising from modification. We strongly recommend this product not be modified and/or used for any application other than that for which it was designed. If you have any questions relative to a particular application, DO NOT use the product until you have first contacted us to determine if it can or should be performed on the product.

Intended Use

The folding Tire Rack is designed to store tires using a wall mounting system. The maximum weight capacity is 300 lbs. When not in use the tire rack simply folds against the wall allowing for additional space.

Technical Specifications

Item	Description
Capacity	300 lbs.
Mounting Width	22"
Mounting Track Length	48"
Adjustable for Tires up to	18"

General Safety Rules

WARNING: Read and understand all instructions. Failure to follow instructions listed below may result in injury.

CAUTION: Do not allow persons to operate or assembly tire rack until they have read this manual and have developed a thorough understanding of how the tire rack works.

WARNING: The warnings, cautions, and instructions discussed in this instruction manual cannot cover all possible conditions or situations that could occur. It must be understood by the operator that common sense and caution are factors which cannot be built into this product, but must be supplied by the operator.

WORK AREA

Keep work area clean, free of clutter and well lit. Cluttered and dark work areas can cause accidents.

Keep children and bystanders away while operating a tire rack. Distractions can cause you to lose control, so visitors should remain at a safe distance from the work area. Be alert of your surroundings. Using a tire rack in confined work areas may put you dangerously close to cutting tools and rotating parts.

PERSONAL SAFETY

Stay alert, watch what you are doing and use common sense when using a tire rack. Do not use a tire rack while you are tired or under the influence of drugs, alcohol or medication. A moment of inattention while operating a tire rack may result in serious personal injury.

Dress properly. Do not wear loose clothing, dangling objects, or jewelry. Keep your hair, clothing and gloves away from moving parts. Loose clothes, jewelry or long hair can be caught in moving parts.

Use safety apparel and equipment.

FOLDING TIRE RACK USE AND CARE

Do not modify the tire rack in any way. Unauthorized modification may impair the function and/or safety and could affect the life of the equipment. There are specific applications for which the tire rack was designed.

Always check for damaged or worn out parts before using the tire rack. Broken parts will affect the tire rack operation.

Replace or repair damaged or worn parts immediately.

Do not exceed the tire rack load capacity.

Distribute the load evenly. Uneven loads may cause the tire rack to tip, resulting in personal injury to the operator or others.

Store idle tire rack. When tire rack is not in use, store it in a secure place out of the reach of children. Inspect it for good working condition prior to storage and before re-use.

WARNING: DO NOT exceed the maximum load capacity

WARNING: DO NOT walk, sit stand under the tire rack

WARNING: DO NOT use to support a load over any people or animals

WARNING: DO NOT use to store items other than intended use

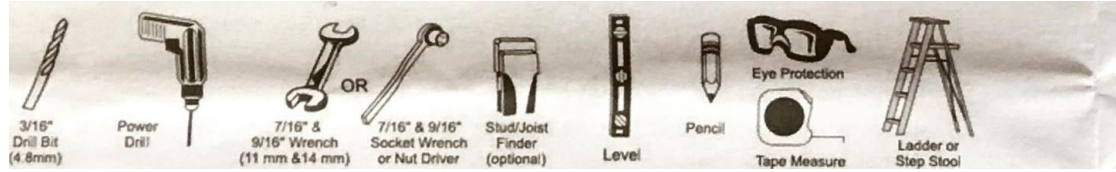


1-800-345-4545 jeps.com

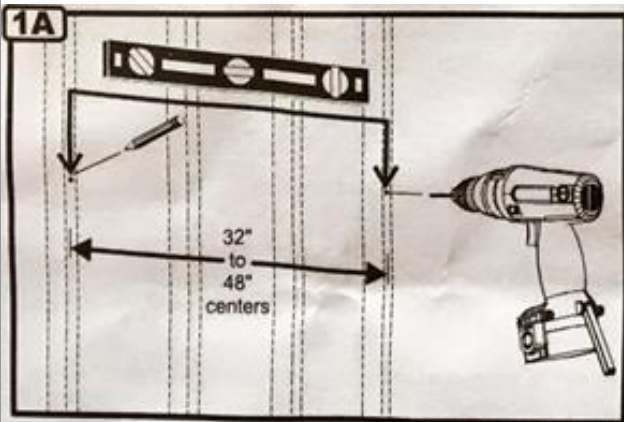
ASSEMBLY

Read through entire instructions before beginning any installation. Check to make sure that you have all parts and tools required.

Tools
Required:

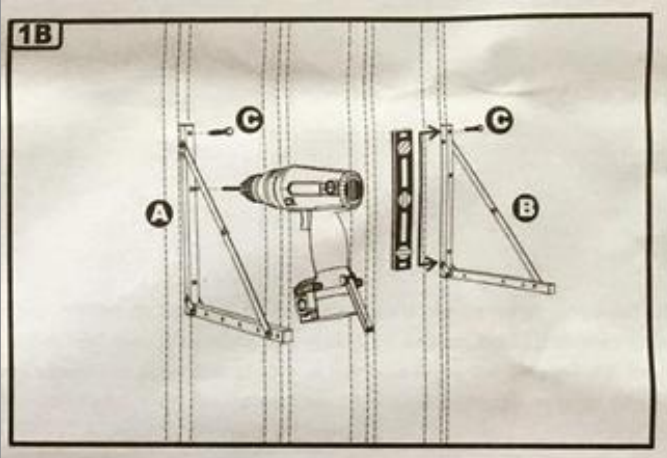


Mounting the Upright Supports to the Wall Studs



Using a stud finder, locate 2 wall studs that are 32" to 48" center to center apart. Using a pencil mark the top mounting hole centers. Make sure holes are level and the same distance from the floor. Pre-drill the 2 marked holes using a 3/16" (5MM) drill bit

Important: Unit must be installed into wall studs. Do not use wall anchors for mounting directly to sheet rock. Do not mount above any walkways or work stations.

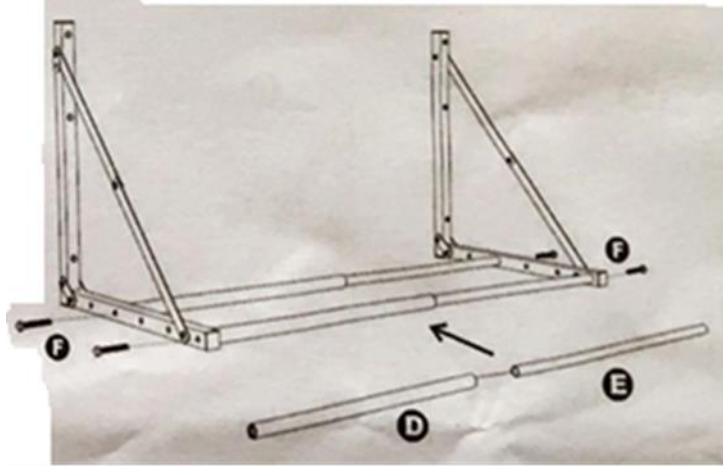


Fasten vertical tubes of Left & Right Sides (A & B) to top pre-drilled holes with 1 Lag Screw (C) in each using a 7/16" (11mm) nut driver or socket wrench, making sure holes are positioned as shown.

Do not fully tighten the top screw at this time.

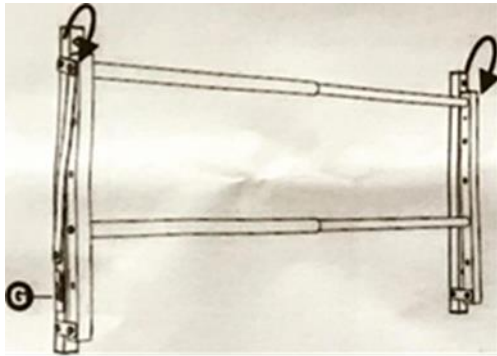
Make sure that vertical tubes of Left & Right-Sides (A & B) are vertically level (plumb) and drill through remaining 2 holes in each. Fasten with remaining Lag Screws (C) and fully tighten.

Attach Round Tubes



Insert smaller diameter round tubes (E) into larger diameter round tubes (D) and fasten to horizontal tubes on left and right sides (A&B) with 3/8" x 2" hex head bolts (F) in the position that best supports your tire model.

Tighten, Adjust & Fold

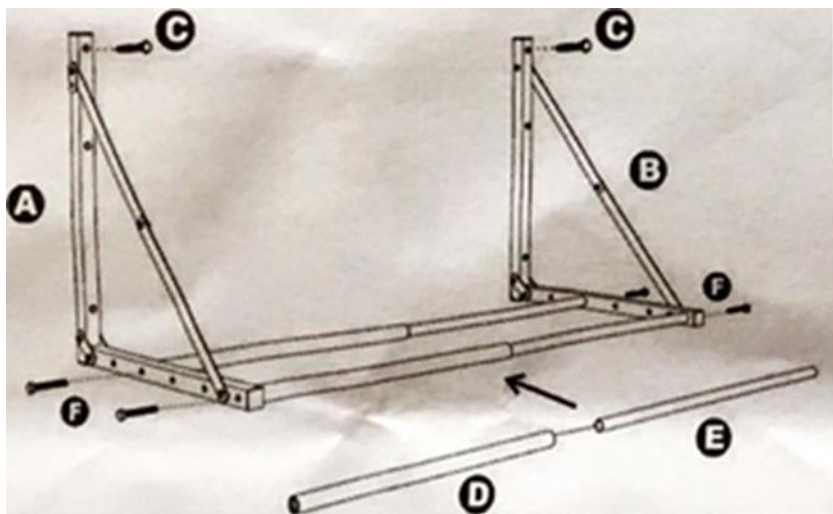


Make sure that all bolts are fully tightened and if necessary, adjust tightness so that the unit folds easily for storage. Store unit in a folded position by locking with hooks as shown. Can hold a maximum of 300 lbs. (136 kg) when mounted directly to wall studs and evenly distributed. Verify all connections at least once per year in order to ensure that they are fastened securely.

MAINTENANCE

Maintain your tire rack. It is recommended that the general condition of any tire rack be examined before it is used. Keep your tire rack in good repair by adopting a program of conscientious repair and maintenance. If any abnormal vibrations or noise occurs, have the problem corrected before further use. Have necessary repairs made by qualified service personnel.

PARTS DIAGRAM



Part #	Qty	Description
A	1	Left side frame assembly
B	1	Right Side Frame Assembly
C	6	Lag Screws 1/4" x 3" (M8 x 60mm)
D	2	1-1/8" (28mm) Dia. Round Tube
E	2	7/8" (22mm) Dia. Round Tube
F	4	3/8" x 2" (M10 x 45mm) Hex Bolts