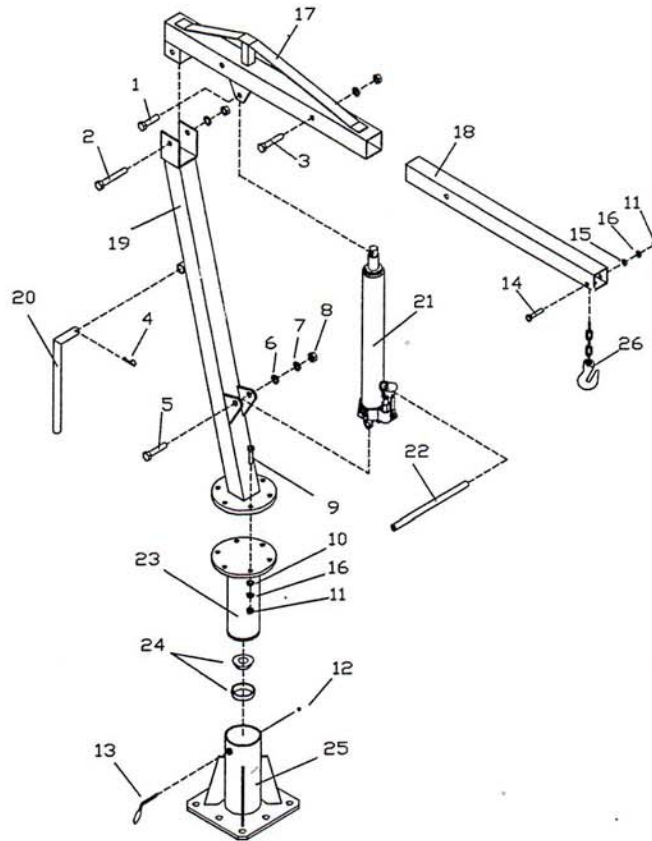


SWIVEL BASE HYDRAULIC LIFTING CRANE 1000LBS



PART	DESCRIPTION	QTY
1	Bolt M16X80	1
2	Bolt M16X110	1
3	Bolt M14X90	1
4	* R * Pin	1
5	Bolt M16X100	1
6	Ø16 Washer	3
7	Ø16 Spring Washer	3
8	Nut M16	3
9	Bolt M12X40	6
10	Ø12 Washer	7
11	Nut M12	7
12	Ø11 Bolt	1
13	M10 Bolt	1

PART	DESCRIPTION	QTY
14	Bolt M12x80	1
15	Ø12 Washer	7
16	Ø12 Spring Washer	7
17	Boom	1
18	Boom Extension	1
19	Main post	1
20	Turn handle	1
21	Jack	1
22	Handle	1
23	Turntable	1
24	Bearing	1
25	Base	1
26	Chain	1