

# **Installation Instructions for 81090**

## **High Lift Jack**

### **3 Ton Capacity, 48" Maximum Raised Height**

#### **SAFETY PRECAUTIONS**

- Be sure base of jack is on firm and level ground.
- Be sure jack will not slip after load is applied.
- Be sure lifting arm is fully under load.
- Be sure the load is stabilized before lifting so that it will not shift when lifting or lowering.
- Do not work under vehicle after lifting unless you have jack stands supporting the vehicle.
- Do not push load off the jack; lower it carefully.
- Do not use handle extensions.
- Do not carry jack by handle.

#### **OPERATING INSTRUCTIONS**

##### **A. TO RAISE A LOAD**

- Following all safety precautions, place the foot of the jack beneath the load. Lift the Reversing Latch (20) to its "UP" position and ensure it is locked in place, with the indentation in the Latch, firmly engaged in the notch on the Reversing Switch (18)-refer to Fig. 1. Jack up the nose until it comes into contact with the load at the desired point of lift. Pause at this stage and check to ensure there are no obstacles to a clean lift.
- Pull down firmly and evenly on the handle and observe the load rising. As the handle is pulled down, you will hear the climbing pin (15) click into place as it locates in a hole in the steel bar (3). At this point, relax the handle allowing the pin (15) to take the load. Raise the handle to the top of its stroke to take a fresh purchase, and pump the handle once again.

##### **IMPORTANT:**

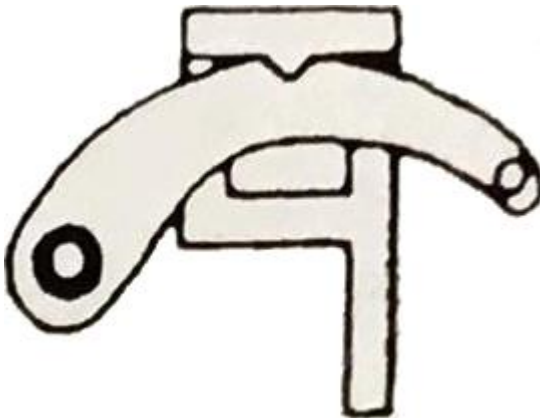
- Do not use extensions on the handle.
- Always keep a firm hold on the handle.

##### **B. TO LOWER A LOAD**

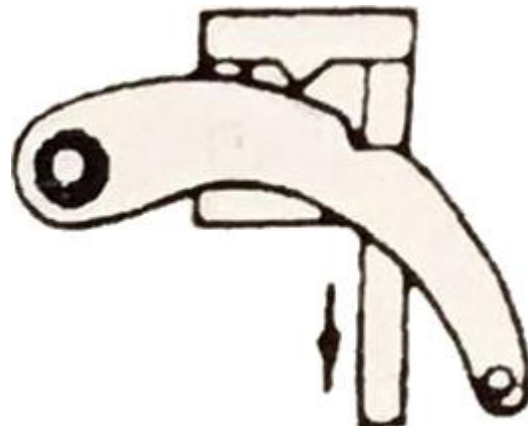
##### **IMPORTANT:**

- The jack must be loaded with a minimum 110 lbs. (50kg) to lower step by step, otherwise the lifting nose will drop.
- Taking all necessary precautions, take the load with the jack, (i.e. Jack the load up slightly), and ensuring the handle is in the FULLY UPRIGHT position, trip the Reversing Latch (20), so that it is in the "Down" position, i.e. the vehicle indentation on the latch, becomes disengaged from the notch on the reversing switch (see Fig. 2). Keeping a firm grip on the handle, pump it as you would for 'raising a load'.

**To Raise a Load Fig. 1**

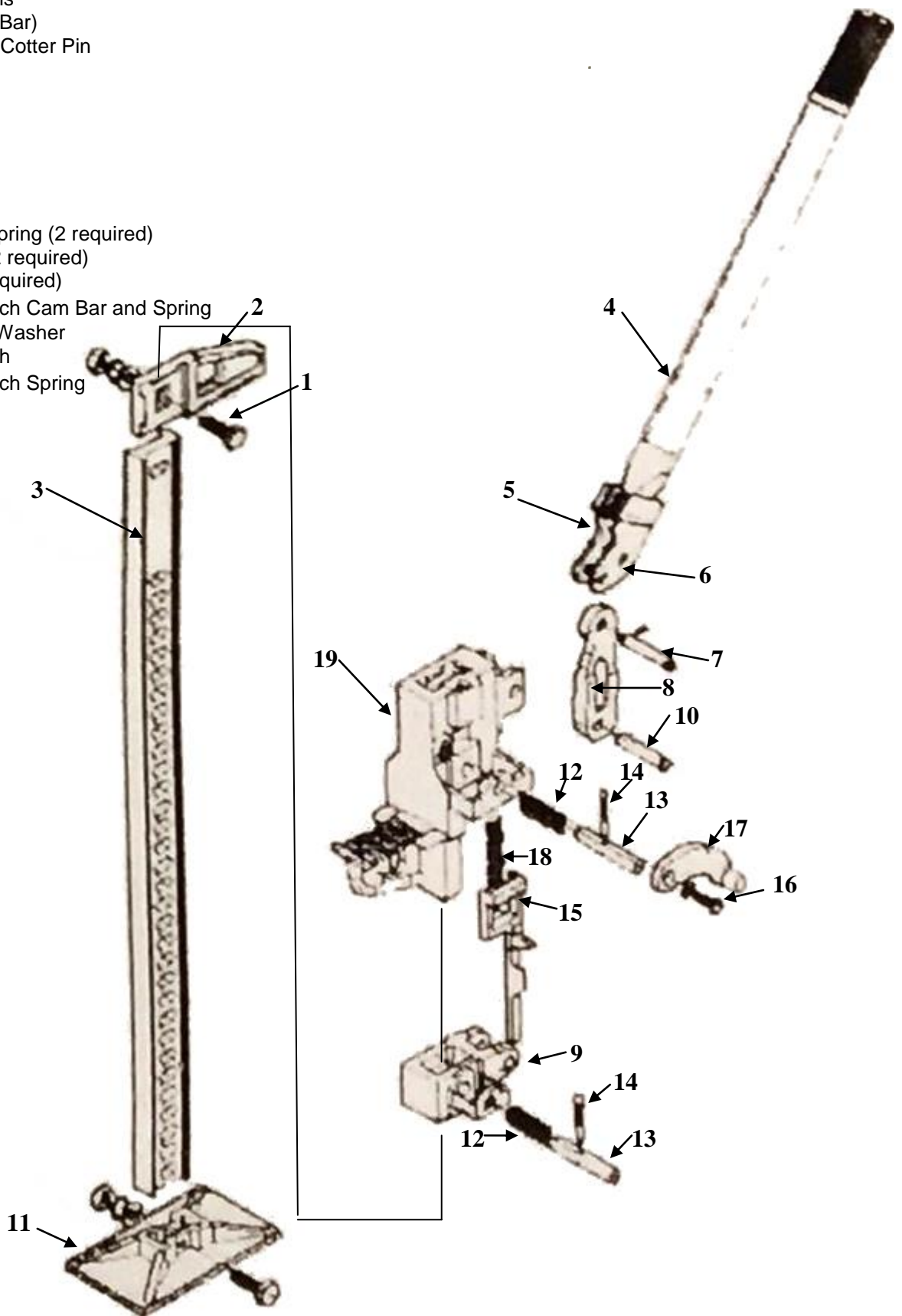


**To Lower a Load Fig. 2**



**Part List:**

- 1. Top Clamp-Clevis Bolt
- 2. Top Clamp-Clevis
- 3. Steel Standard (Bar)
- 4. Steel Handle w/ Cotter Pin
- 5. Handle Socket
- 6. Pin
- 7. Hex Bolt
- 8. Connecting Rod
- 9. Small Runner
- 10. Screw Bolt
- 11. Base
- 12. Climbing Pin Spring (2 required)
- 13. Climbing Pin (2 required)
- 14. Cross Pin (2 required)
- 15. Reversing Switch Cam Bar and Spring
- 16. Cap Screw w/ Washer
- 17. Reversing Latch
- 18. Reversing Switch Spring
- 19. Large Runner



1-800-345-4545 [jegs.com](http://jegs.com)