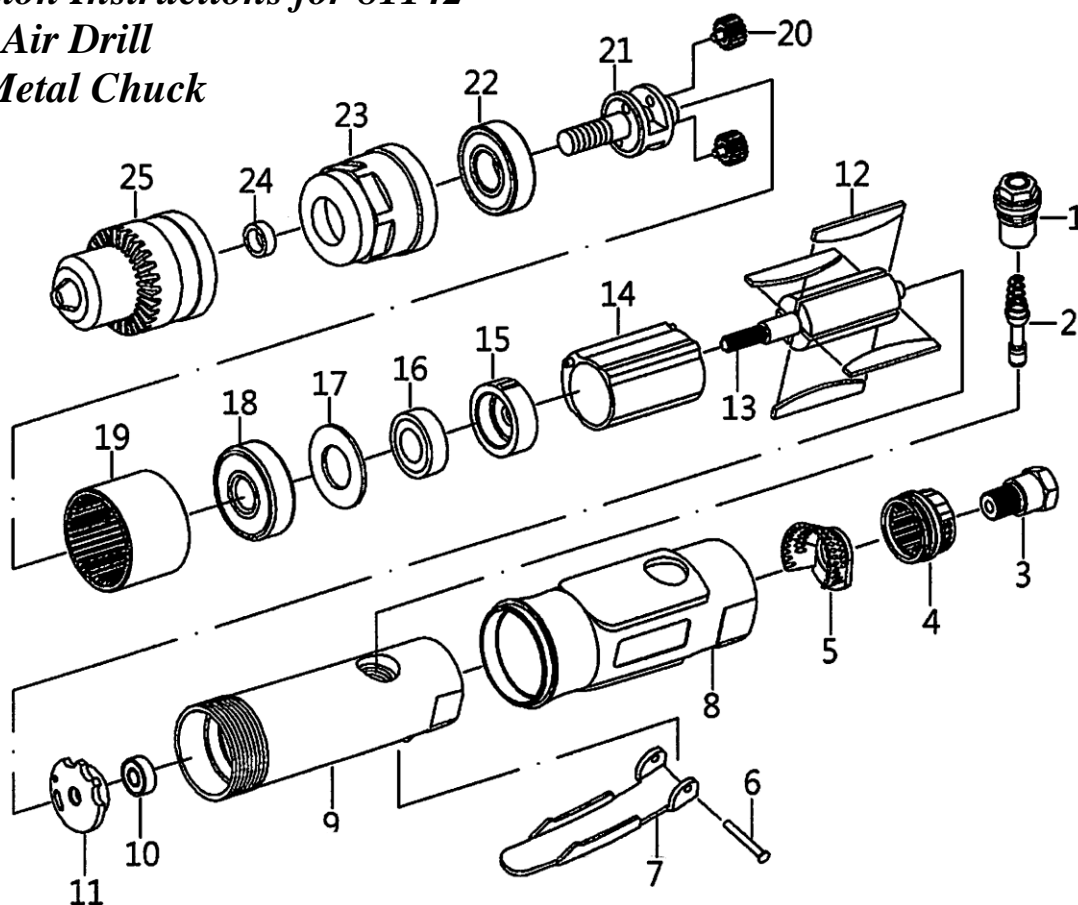


**Installation Instructions for 81142**  
**In-Line Air Drill**  
**3/8 in. Metal Chuck**



NO	PART NO	DESCRIPTION	Q'TY
1	ST-70004	REGULATOR SET	1
2	ST-70007B	VALVE STEM SET	1
3	70009	AIR INLET	1
4	ST-70010	EXHAUST SLEEVE SET	1
5	70022A	CONE MUFFLER	1
6	70432BK	PIN	1
7	70013BK	LEVER	1
8	70014	PROTECTING RUBBER	1
9	ST21015	HOUSING	1
10	20312	BEARING (696ZZ)	1
11	ST70017	REAR PLATE	1
12	20019	ROTOR BLADE	4
13	24520	ROTOR (6T)	1

NO	PART NO	DESCRIPTION	Q'TY
14	ST-70021	CYLINDER SET	1
15	ST70023	FRONT PLATE	1
16	21024	BEARING (608ZZ)	1
17	50310	WASHER	1
18	OB-31	BEARING (6001Z)	1
19	21322	THREAD RING GEAR (42T)	1
20	ST-24527.1	IDLER GEAR SET (18T)	2
21	21326A	GEAR PLATE	1
22	24531A	BEARING (6200ZZ)	1
23	ST24532	CLAMP NUT	1
24	21329	WASHER	1
25	20330-1	3/8" CHUCK	1



1-800-345-4545 [jeps.com](http://jeps.com)