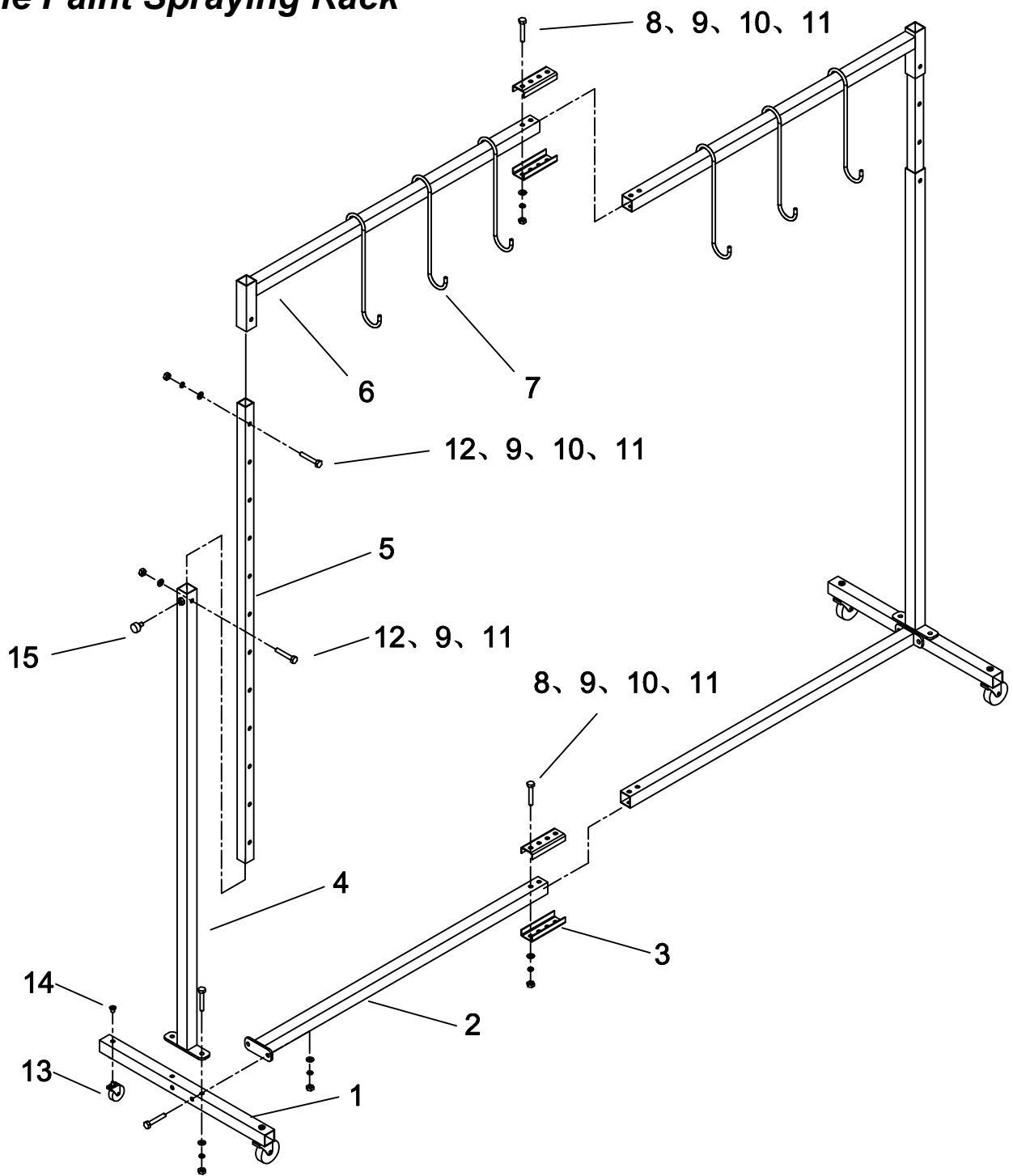


Installation Instructions for 81242 Portable Paint Spraying Rack



PART	DESCRIPTION	QTY
1	Base Foot	2
2	Bottom Beam	2
3	Splint	4
4	Outer Tube	2
5	Inner Tube	2
6	Beam	2
7	Hook	6

PART	DESCRIPTION	QTY
8	Bolt M8X50	16
9	Ø8 Washer	20
10	Ø8 Spring Washer	18
11	Nut M8	20
12	Bolt M8X45	4
13	Wheel	4
14	Nut	4
15	Bolt M8	2



1-800-345-4545 Jeggs.com