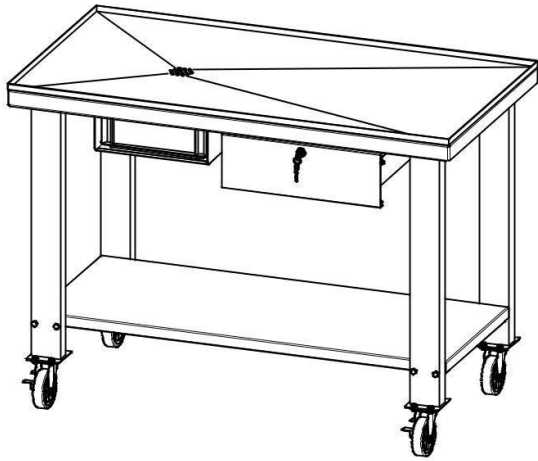


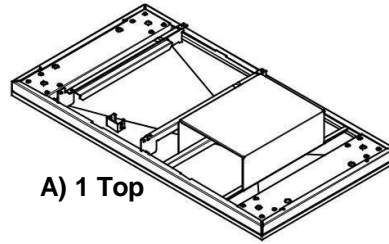
Installation Instructions for 81432

Transmission Tear-Down Table

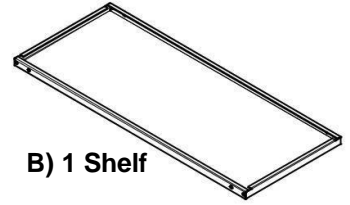
1/2-Ton Capacity



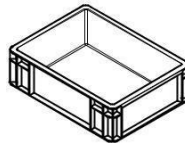
Parts List



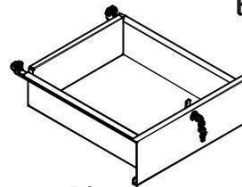
A) 1 Top



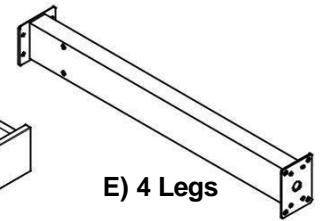
B) 1 Shelf



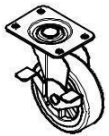
C) 1 Plastic Box



D) 1 Drawer



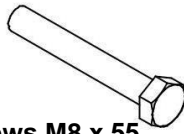
E) 4 Legs



F) 2 Swivel Locking Wheels



G) 2 Swivel Wheels



I) 8 Screws M8 x 55



J) 8 Nuts M8



K) 16+1 Screws M6 x 12

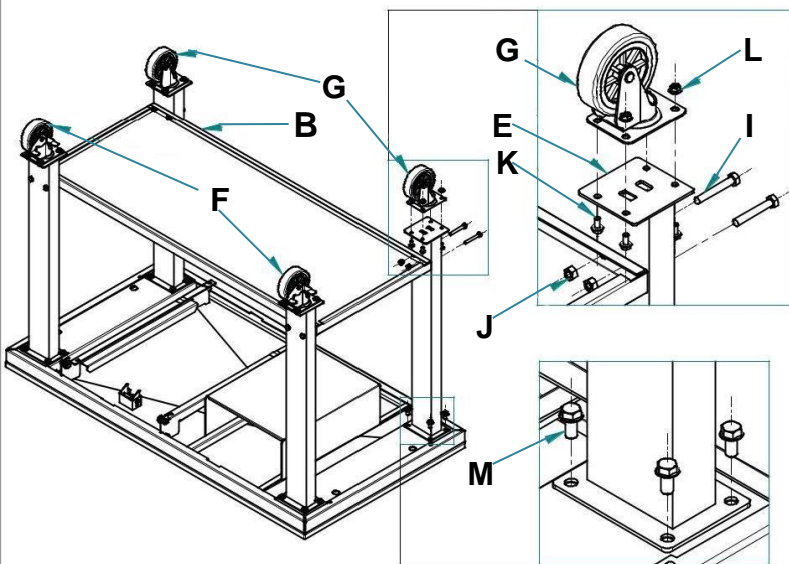


L) 16+1 Nuts M6



M) 16+1 Screws M8 x 16

Step 1



Step 2

