

Installation Instructions for 81436

Heavy Duty Utility Cart w/ Bins

550 lb. Capacity

Specifications:

Capacity	500 lbs.
Overall size	1000 x 435 x 850 mm
Shelf size	790 x 435 x 110 mm
Wheel	5 in. non-marring, rubber, 2 fixed, 2 swivel
Large bin	8 bins, 9-1/2 x 6 x 5 in.
Small bin	24 bins, 6-1/2 x 4 x 3 in.

Note: Use a rubber mallet to ensure snug connection of all nonmetal parts.

Assemble the cart:

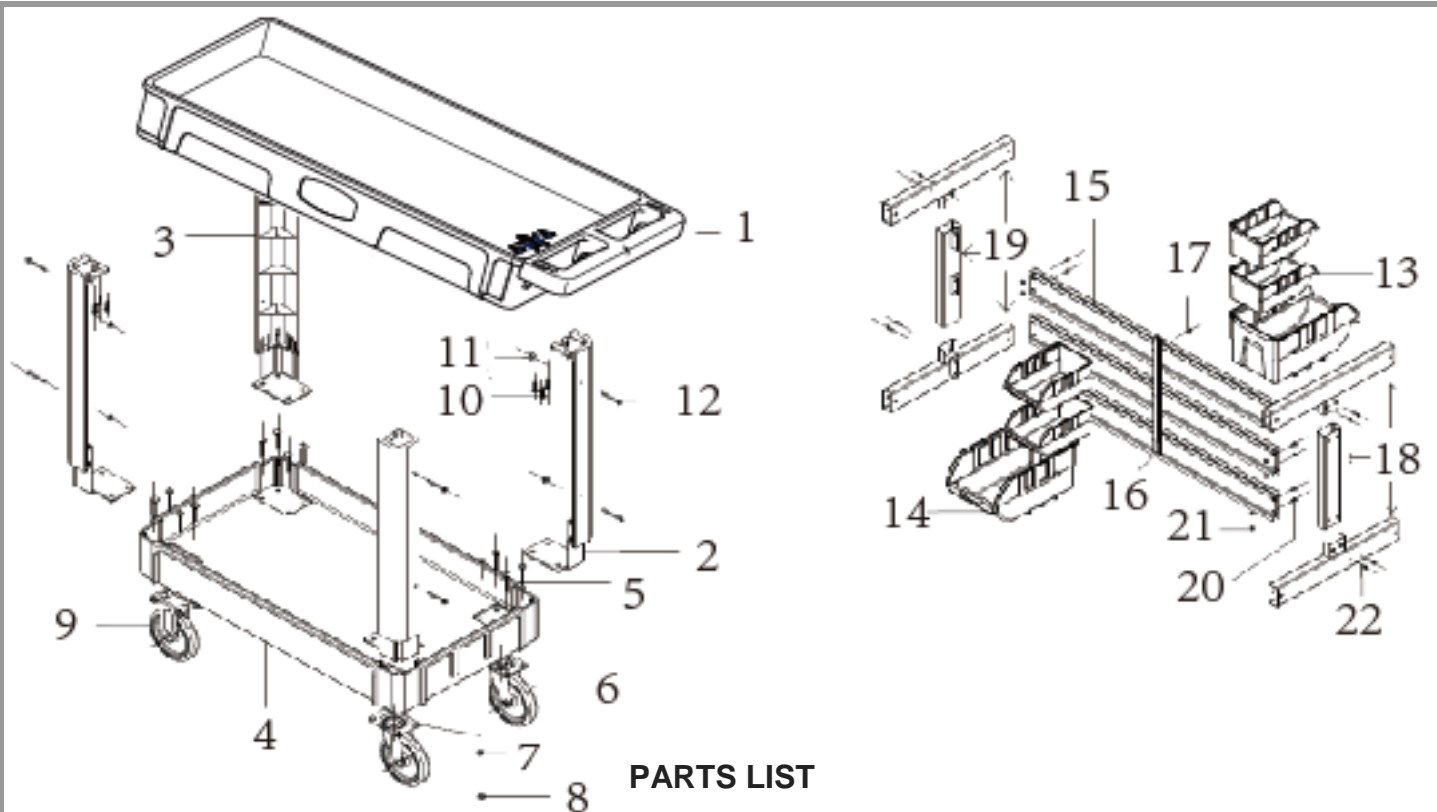
1. Place the bases of the four Legs (3, 4) into the corners of the Lower Tray (5). The flange on each Post will only fit into certain corners.
2. Insert Carriage Bolts (6) down through the holes in the bases of the Posts (3, 4).
3. Attach Casters (7, 10) to Carriage Bolts (6) using Split Washers (8) and Nuts (9). For best operation, the two Straight Casters (10) go on the same end of the cart, and the two Swivel Casters (7) go on the other end.
4. Place the Upper Tray (2) upside down on the work surface. Turn the Handle (1) upside down with the cup holder toward the Tray and the hand holes on the outside.
5. Place the Tray with the Handle firmly on top of the Legs (3, 4). Position the Handle above either the swivel or fixed casters, depending on operating preference.
6. Use three Screws (11) through each Leg (3, 4) from underneath to secure them

Add bins and rack:

7. Use 4 screws (23) to assemble Steel Racks L and R (19, 20).
8. Mount Steel Racks L and R (19, 20) on to the service cart's Post (3, 4) with Screw (13) accordingly.
9. Assemble the Peg Wall (16) and Vertical Support Bracket (17) with Screw (18).
10. Insert the Peg Wall (16) in the groove on both L & R side of the Steel Rack (19, 20) then lock with Screws (21).
11. Hang on the plastic Storage Bins (14, 15)



1-800-345-4545 jeps.com



NO	DESCRIPTION	QUANTITY
1	HANDLE	1
2	TRAY	1
3	LH POST	2
4	RH POST	2
5	TRAY	1
6	CARRIAGE BOLT	16
7	CASTER	2
8	WASHER	16
9	NUT	16
10	FIXED WHEEL	2
11	SCREW	12
12	NUT	4
13	SCREW	4
14	SMALL STORAGE BIN	24
15	LARGE STORAGE BIN	8
16	PEGWALL	3
17	VERTICAL SUPPORT BRACKET	1
18	SCREW	3
19	STEEL RACK (L)	3
20	STEEL RACK (R)	3
21	SCREW	12
22	NUT	12
23	SCREW	8