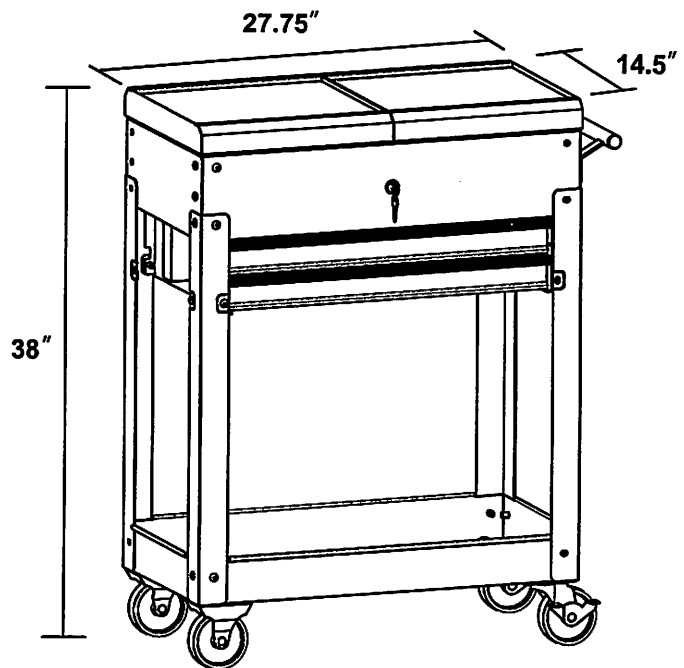


Installation Instructions for 81438 - 38"H Heavy Duty Tool Cart

220 lb. Capacity

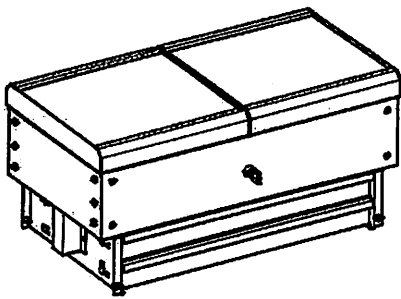
ATTENTION:

1. Before opening the drawer, first open the sliding tops. The inverse step is necessary when locking the drawer.
2. Only one drawer can pull out at one time, or the cart may tip. Before pulling out one drawer, make sure the other one has been pushed fully in.
3. Don't put heavy load on the drawer when it's open. The cart may tip.
4. Each drawer load is 17.64 lbs. (8kg), upper tray load is 88.18 lbs. (40kg), bottom tray load is 88.18 lbs. (40kg) total load is 220.46 lbs. (100kg). Never exceed the load capacity or the product may be damaged.

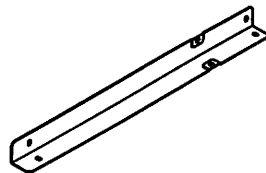


⚠ WARNING: Weight balance is critical, please load heavier items first to the lower level.

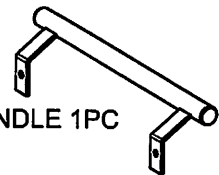
Parts List



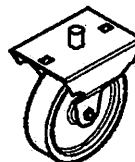
A) UPPER TRAY WITH 2 RUBBER LINERS
1PC



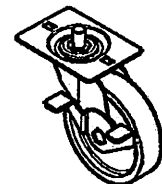
B) PILLAR 4PCS



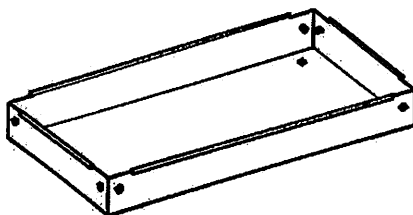
C) HANDLE 1PC



E) RIGID CASTER 2PCS



F) SWIVEL CASTER 2PCS



D) BOTTOM TRAY 1PC



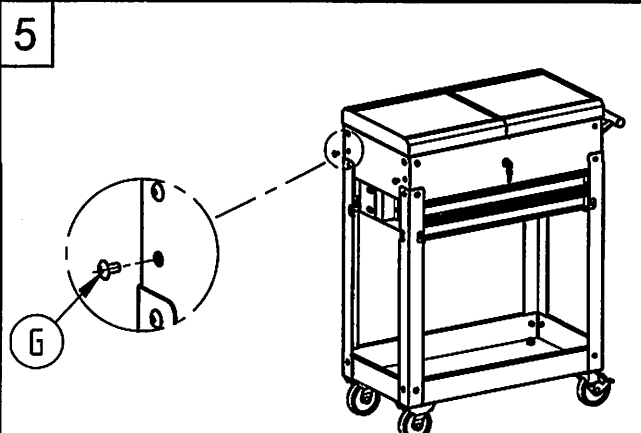
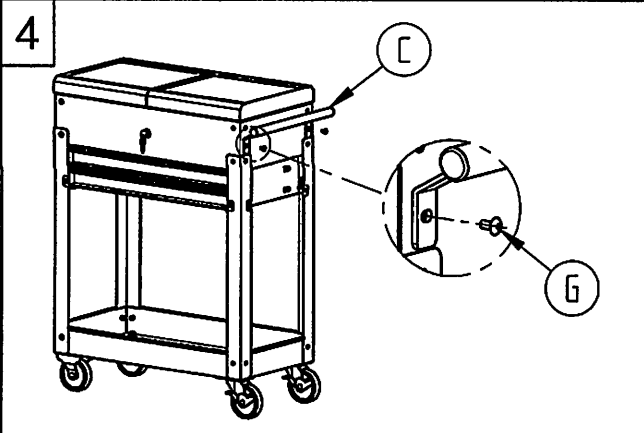
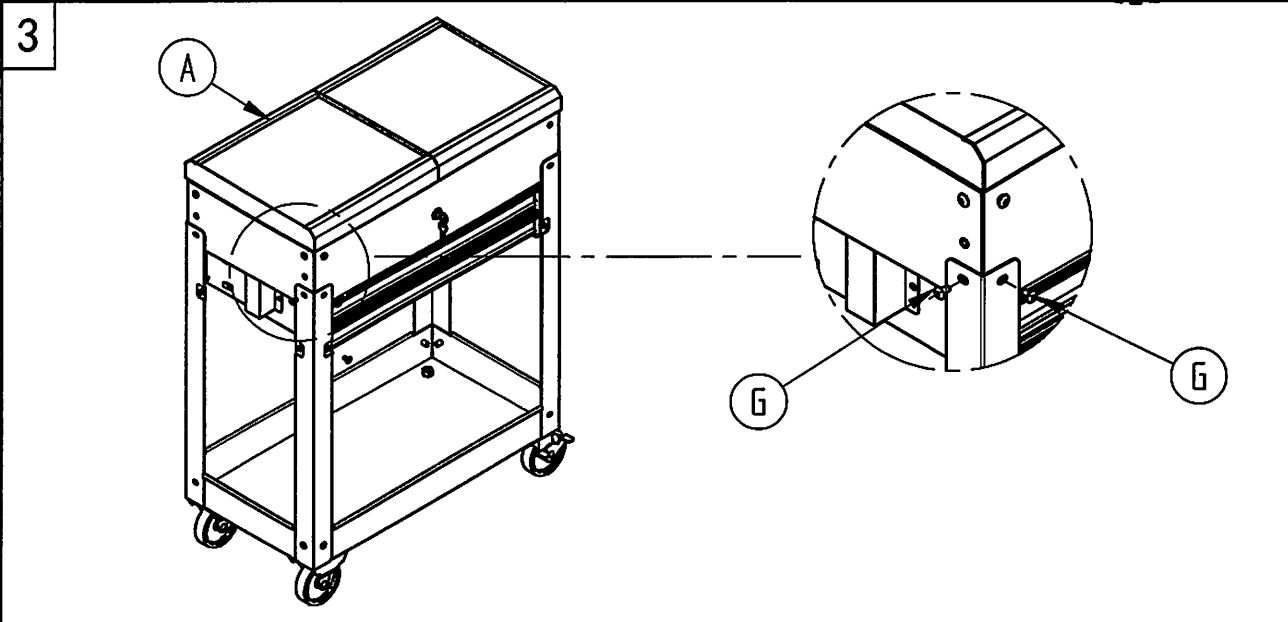
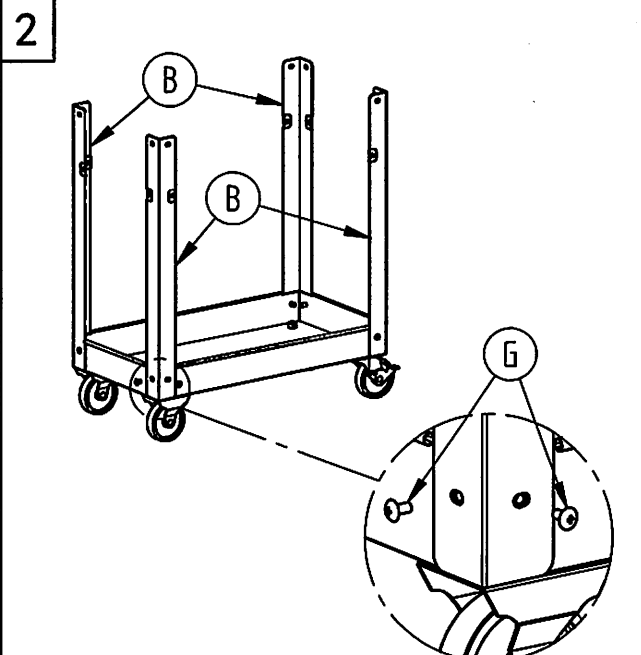
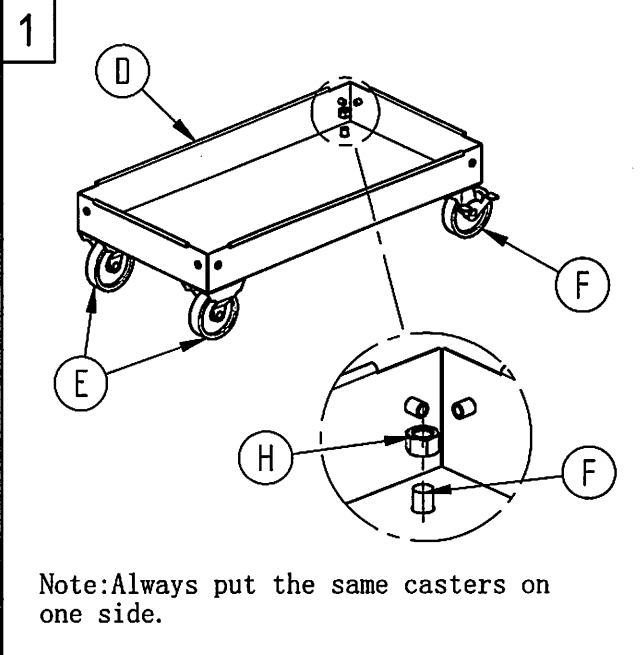
G) BOLT M6 x 12 (22+2) PCS



H) NUT M12 4PCS

JEGS
Performance Products

1-800-345-4545 jeps.com



1-800-345-4545 jegs.com