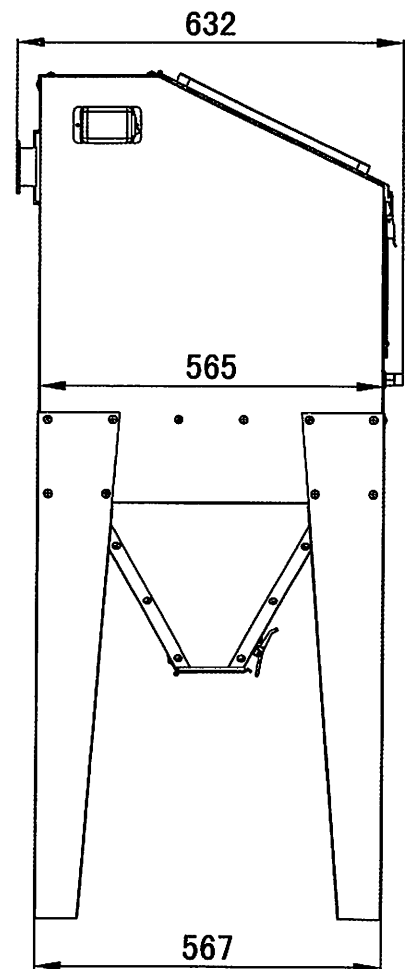
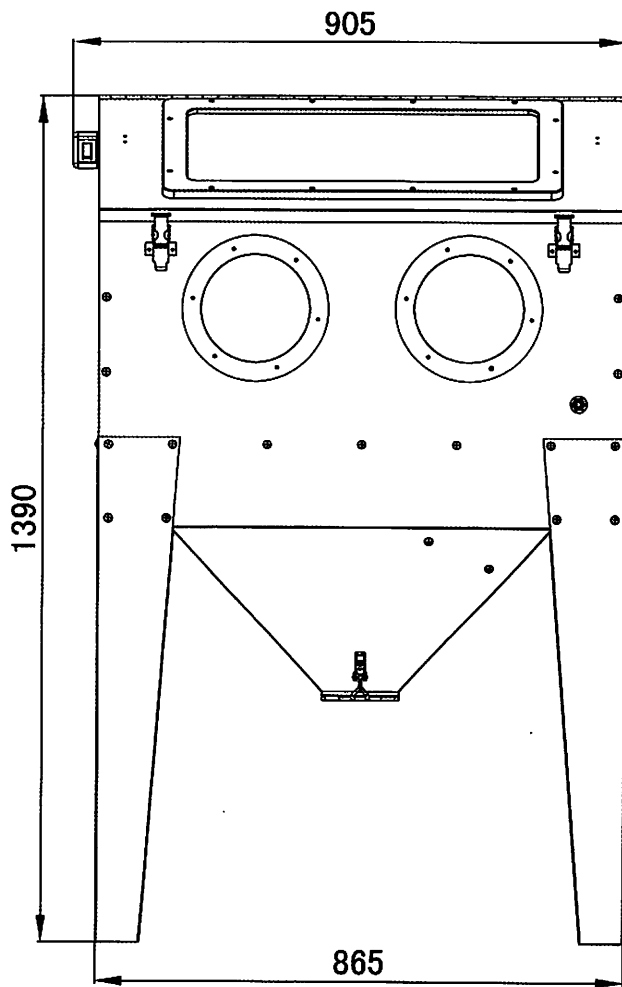
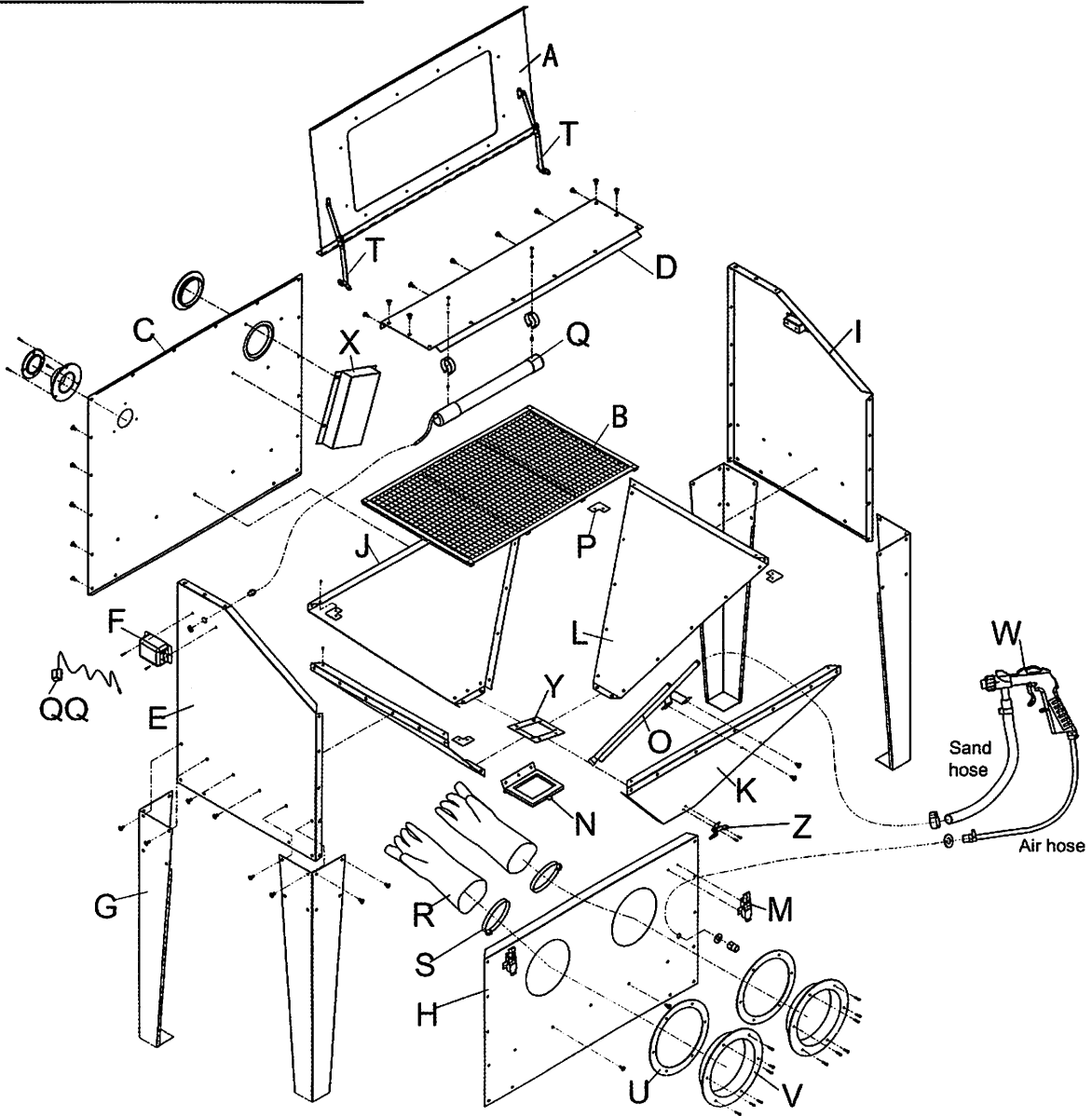


220L Knock-down Sandblaster Cabinet



PACKAGE CONTENTS



| Part | Description | Quantity |
|------|--------------------|----------|
| A | Top door assembly | 1 |
| B | Work shelf | 1 |
| C | Back plate | 1 |
| D | Top plate | 1 |
| E | Left plate | 1 |
| F | Switch Box | 1 |
| G | Foot | 4 |
| H | Front plate | 1 |
| I | Right plate | 1 |
| J | Funnel back plate | 1 |
| K | Funnel front plate | 1 |
| L | Funnel side plate | 2 |
| M | Top door locker | 2 |

| Part | Description | Quantity |
|------|-------------------------|----------|
| N | Funnel bottom cap | 1 |
| O | Pick-up tube | 1 |
| P | Bracket | 4 |
| Q | Lamp | 1 |
| R | Glove | 1pair |
| S | Glove clamps | 2 |
| T | Safety plate | 2 |
| U | Mounting ring of gloves | 2 |
| V | Gloves seats | 2 |
| W | Gun assembly | 1 |
| X | Sand boards | 1 |
| Y | Funnel bottom plate | 1 |
| Z | Funnel locker | 1 |

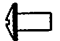
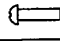
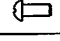
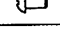
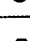
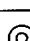




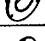
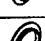



220 knock-down sandblaster cabinet

Model no. : SBC220PZ

Specialty:

- 1). Heavy steel construction and top door;
- 2). Transparent glass viewing window;
- 3). Cleaning the parts Rust, stains etc. in the cabinet and the dust
- 4). Overall dimension: 90.5cm(Length) X 62cm(wide) X 139cm(Height)
- 5). Sand capacity in the funnel: 33L
- 6). Working space: 86cm(Length) X 56cm(wide) X 56cm(Height)
- 7). Air compressor delivery of 15-25CFM@40-120PSI
- 8). Output voltage: 12V, Power: 8W
- 9). Shipping package: 91X74X18CM
- 10). N.W / G.W: 48.5 / 50 kgs

ACCESSORIES CONTENTS

| Part | Description | Quantity | Picture |
|------|---------------------------|----------|-------------------------------------------------------------------------------------|
| AA | M6x12mm SCREW | 105 |  |
| BB | M4x16mm SCREW | 16 |  |
| CC | M4x10mm SCREW | 30 |  |
| DD | M4x6mm SCREW | 2 |  |
| EE | M6 Nut | 75 |  |
| FF | M4 Nut | 25 |  |
| GG | 4 Flat Washer | 40 |  |
| TT | 4 Spring Washer | 2 |  |
| HH | Light clamp | 2 |  |
| II | Nylon cable tie | 2 |  |
| JJ | Sealing cotton δ 6 | 2 |  |
| KK | Suction flange ring | 1 |  |
| LL | Suction flange cover | 1 |  |
| MM | Rear air suction cover | 1 |  |
| NN | Sealing cotton δ 3 | 6 |  |
| OO | Teflon tape | 1 | |
| PP | PE film | 5 | |
| QQ | Adaptor | 1 | |


1. Assembly funnel (一)

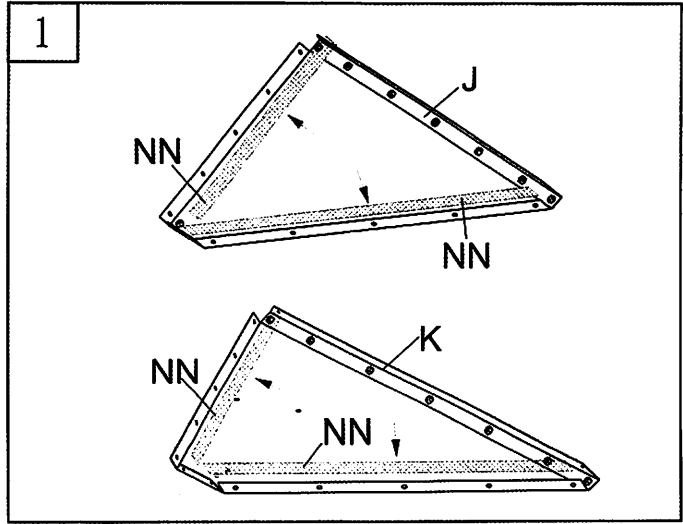
As show in the figure, Put the back (J) and front (K) of plate for Funnel's bend edge is to the holes then stick sealing cotton $\delta 3*22$ (NN) on the edge.

Notes:

Overstick the sealing cotton 10mm more for each edge.

HARDWARE USED

(NN) Sealing cotton $\delta 3$ 



2. Asembly funnel (二)

1). Use M4X10 screw (CC), Mounting the front plate lock (Z) on the funnel (K) and tighten the screws.

2). Use M6X12 screw (AA), Mounting the funnel front plate (K) with the side plate (L) together.


Noted:

Make sure to use sealing cotton to seal every joints during assembly.

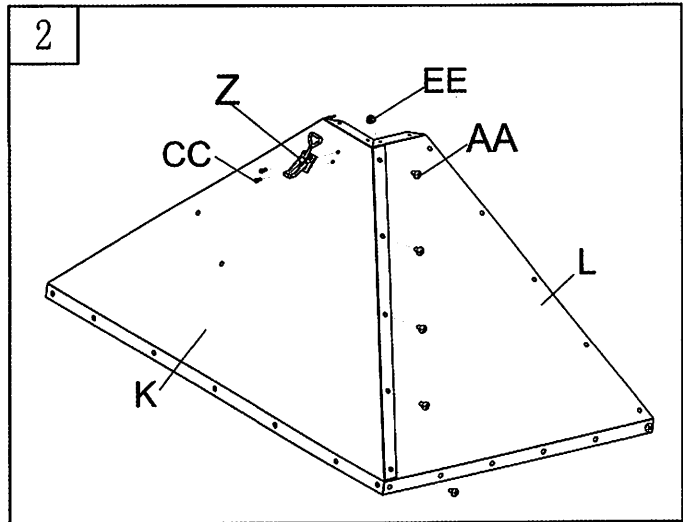
Do not completely tighten hardware used.

HARDWARE USED

(AA) M6x12mm SCREW 5 

(EE) M6 Nut 5 

(CC) M4x10mm SCREW 2 



3. Asembly funnel (三)

Mount another side plate (L) to (K) using M6X12 Screw (AA) and Nut M6 (EE)

Noted:


Make sure to use sealing cotton to seal every joints during assembly.

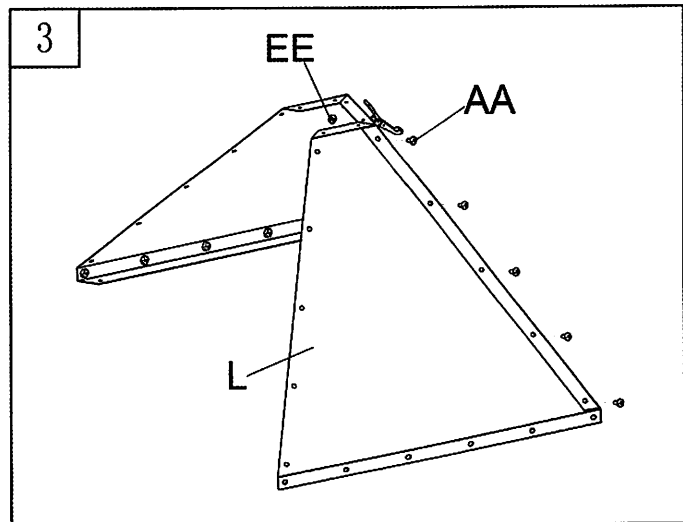
Do not completely tighten hardware used.

DO NOT COMPLETELY TIGHTEN

HARDWARE USED

(AA) M6x12mm SCREW 5 

(EE) M6 Nut 5 



4. Funnel assembly (四)

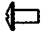

Mount the back plate of funnel (J) with use M6X12 screw (AA) and Nut M6 (EE)

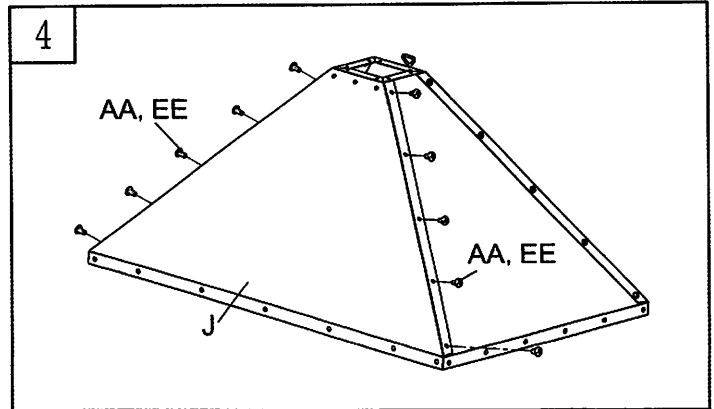
Noted:

Make sure to use sealing cotton to seal every joints during assembly.
Do not completely tighten hardware used.

DO NOT COMPLETELY TIGHTEN

HARDWARE USED

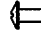
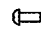


| | | | |
|------|---------------|----|-----------------------------------------------------------------------------------|
| (AA) | M6x12mm SCREW | 10 |  |
| (EE) | M6 Nut | 10 |  |

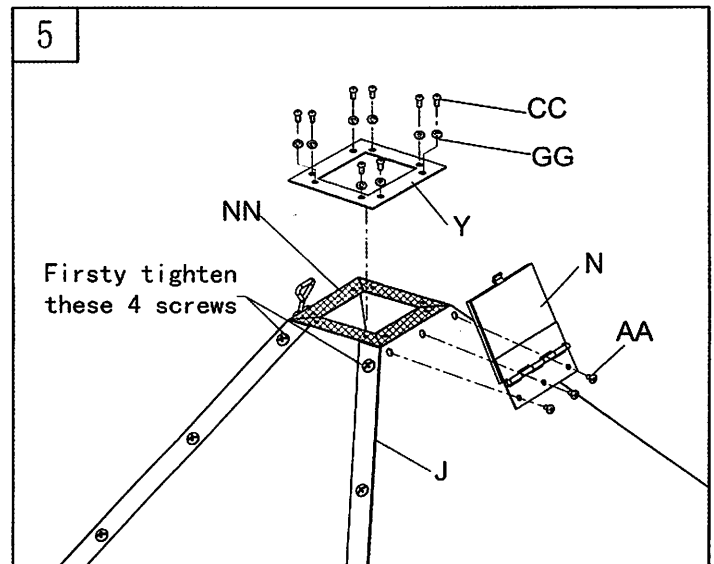


5. Assembly funnel bottom plate (Y) and cap (N):

- 1). Tighten the 4 screws at funnel bottom.
- 2). Stick δ 3X22 sealing cotton (NN) around the funnel bottom.
- 3). Assembly funnel bottom plate (Y) to the funnel using M4X10 screw (CC) and washer (GG)
- 4). Assembly funnel bottom cap (N) to plate (J) using M6X12 (AA)

TIGHTEN SCREWS
HARDWARE USED



| | | | |
|------|----------------|------------|-------------------------------------------------------------------------------------|
| (AA) | M6x12mm SCREW | 3 |  |
| (CC) | M4x10mm SCREW | 8 |  |
| (GG) | 4 Flat Washer | 8 |  |
| (NN) | Sealing cotton | δ 3 |  |

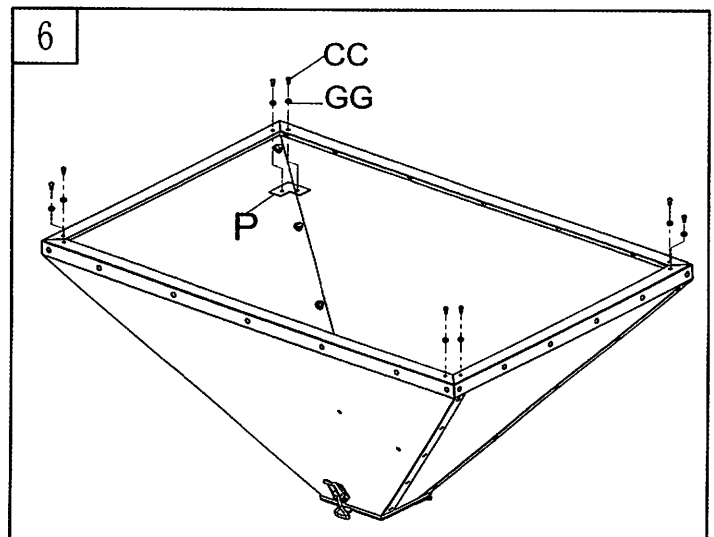


6. Assembly connection piece for the funnel corner (P)

- 1). Assembly the bracket (P) to four funnel corner using M4X10 screw (CC) and washer (GG), tighten the screws.
- 2). Locked the all screws on the bevel edge of funnel.

TIGHTEN ALL SCREWS
HARDWARE USED

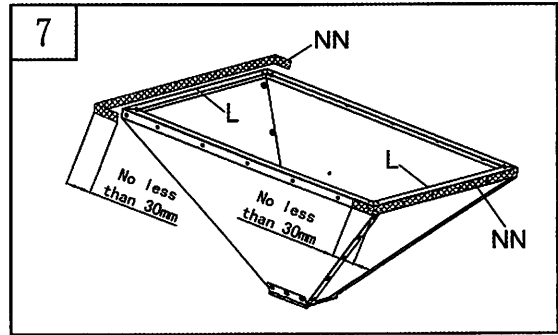
| | | | |
|------|---------------|---|-------------------------------------------------------------------------------------|
| (CC) | M4x10mm SCREW | 8 |  |
| (GG) | 4 Flat Washer | 8 |  |



7. Stick the sealing cotton $\delta 3 \times 22$:
As show in the figure,stick sealing cotton on cuter edge of plate (L) ;turn overthe sealing cotton from the funnel corner not less than 30mm

HARDWARE USED

⊙ NN Sealing cotton $\delta 3$ ⊙



8. Assembly the left plate of cabinet (E) to funnel assembly with M6X12 screw (AA)

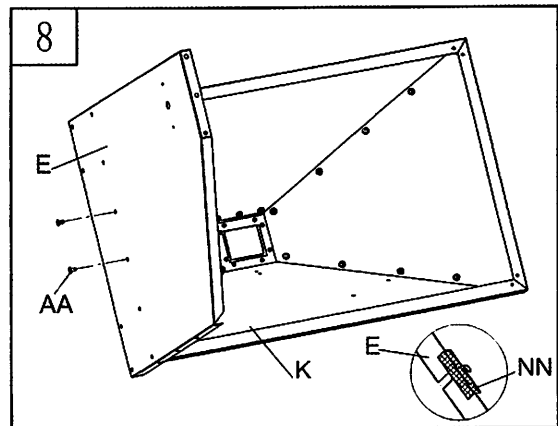
Noted:

- 1). conntct M6X12 screw (AA) firstly from the middle two holes of plate (E)
- 2). Make sure to assembly the plate (E) in correct direction.

DO NOT COMPLETELY TIGHTEN

HARDWARE USED

⊙ AA M6x12mm SCREW 2 ⊙



9. Assembly the right plate for cabinet (I) to funnel assembly with M6X12 screw (AA)

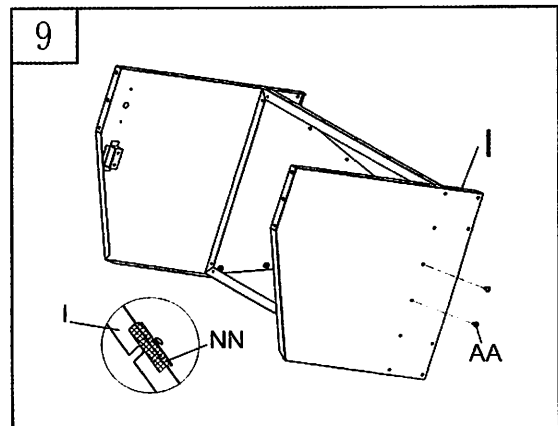
Noted:

- 1). conntct M6X12 screw (AA) firstly from the middle two holes of plate (E).
- 2). Make sure to assembly the plate (E) in correct direction.

DO NOT COMPLETELY TIGHTEN

HARDWARE USED

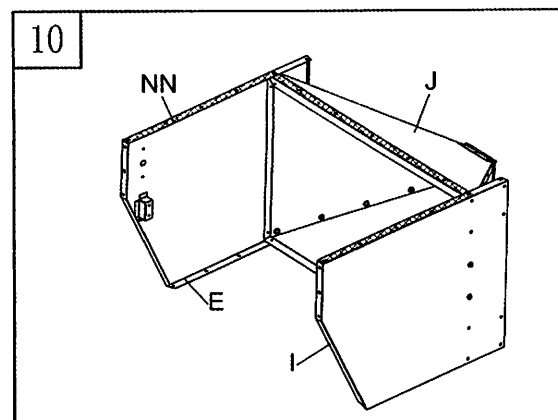
⊙ AA M6x12mm SCREW 2 ⊙



10. Sitck the sealing cotton:
As show in the figure,stick the $\delta 3 \times 22$ sealing cotton on the back plate of funnel (J), the left plate for cabinet (E),the right plate for cabinet (I).

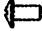

HARDWARE USED

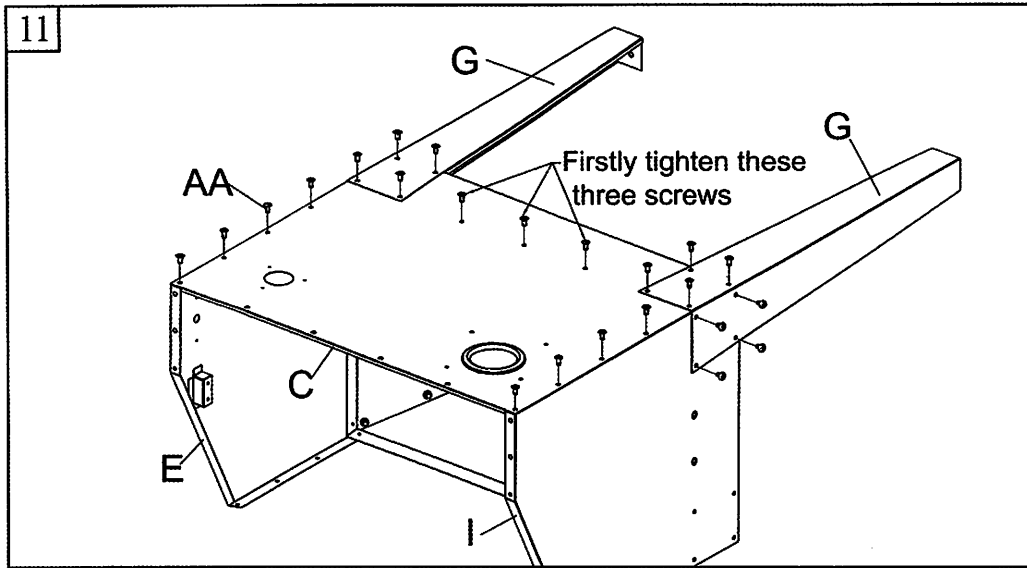
⊙ NN Sealing cotton $\delta 3$ ⊙



11. Assemble the back plate for cabinet(C) and foot(G):
Using the M6X12 screw(AA) and M6 nut(EE) to funnel assembly.
Note: Firstly tighten the middle three screws of back plate (C).

TIGHTEN ALL SCREWS
HARDWARE USED

| | | | | |
|----|---------|-------|----|-------------------------------------------------------------------------------------|
| AA | M6x12mm | SCREW | 27 |  |
| EE | M6 | Nut | 16 |  |

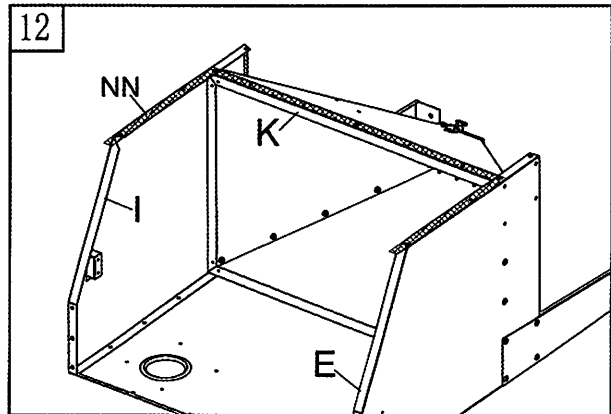


12. Stick the sealing cotton:

As show in the figure,stick the δ 3X22 sealing cotton on the front plate of funnel(J), the left plate for cabinet (E),the right plate for cabinet (I).

HARDWARE USED

| | | | |
|----|----------------|------------|-------------------------------------------------------------------------------------|
| NN | Sealing cotton | δ 3 |  |
|----|----------------|------------|-------------------------------------------------------------------------------------|

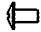



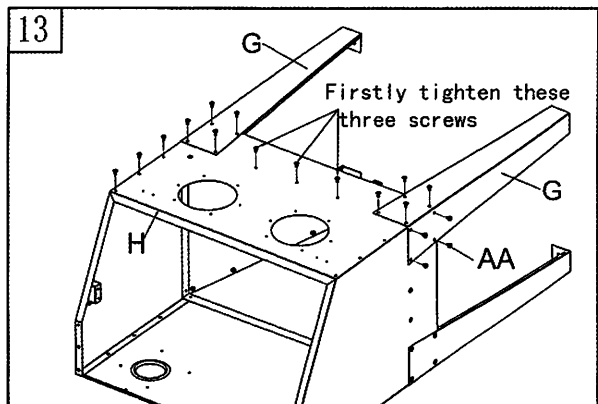
13. Assembly the front plate for cabinet(C) and foot(G):
Using the M6X12 screw(AA) and M6 nut(EE) to funnel assembly

Note: Firstly tighten the middle three screws of front plate (C)

TIGHTEN ALL SCREWS

HARDWARE USED

| | | | | |
|----|---------|-------|----|-------------------------------------------------------------------------------------|
| AA | M6x12mm | SCREW | 25 |  |
| EE | M6 | Nut | 14 |  |

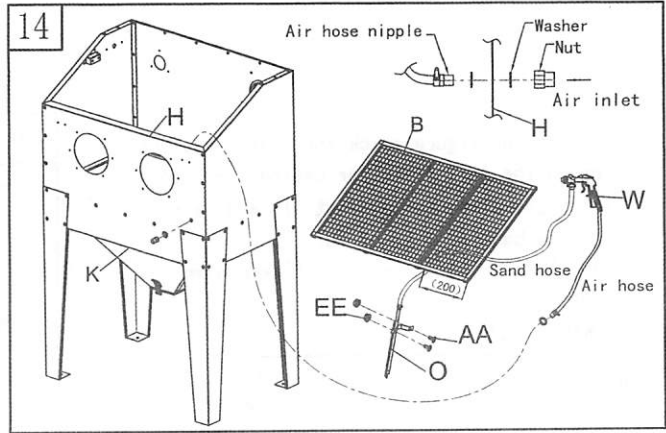


14. Assemble work shelf (B), pick up tube(O), sand blasting gun (W):

- 1). Connect sand hose to pick up tube (O), thru work shelf (B);
- 2). put work shelf (B) inside the cabinet, fix pick up tube (O) to funnel front plate(K) with M6X12 screw (AA) and M6 nut (EE)
- 3). Connect air hose nipple with unt, use thflon tape in case of air leakage.

TIGHTEN ALL SCREWS
HARDWARE USED




| | | | |
|------|---------------|---|-----------------------------------------------------------------------------------|
| (AA) | M6x12mm SCREW | 2 |  |
| (EE) | M6 Nut | 2 |  |

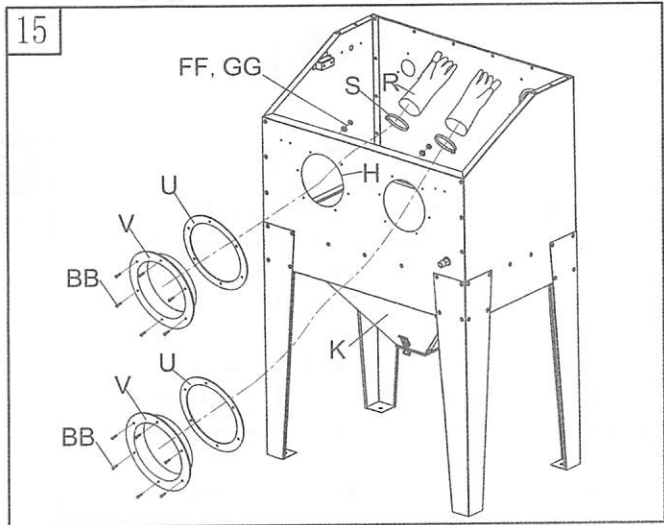


15. Assemble the glove seat (V) and glove:

- 1). Using M4X16 screw(BB) , M4 nut(FF) and 4 flat gasket(GG) mounting the ring of gloves(U) and gloves seat (V) on the face of cabinet (H);
- 2). Fix gloves (R) to gloves seats (V) Using clamps (S)

TIGHTEN ALL SCREWS
HARDWARE USED

| | | | |
|------|---------------|----|------------------------------------------------------------------------------------|
| (BB) | M4x16mm SCREW | 12 |  |
| (FF) | M4 Nut | 12 |  |
| (GG) | 4 Flat Washer | 12 |  |

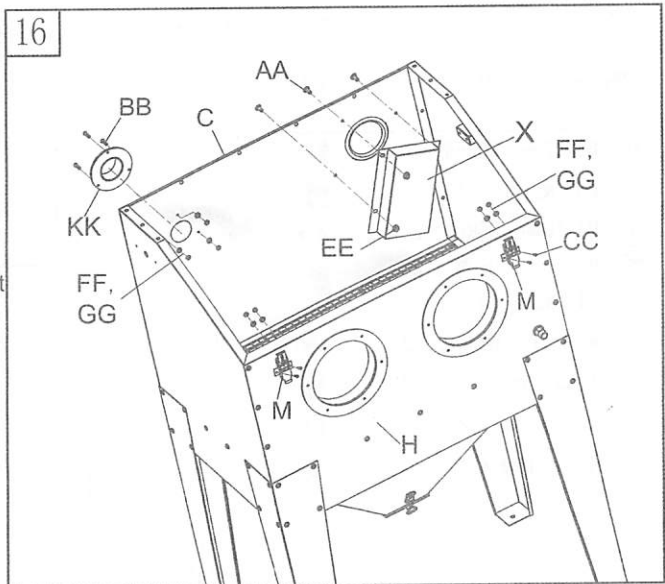


16. Assemble suction flange ring (KK), suction board (X), lock (M):

- 1). As show in figure, Using M4X16 screw (BB), M4 nut (FF) and 4 flat gasket(GG) installed the suction flange ring(KK) to the back of cabinet (C);
- 2). As show in figure, install the suction board (X) to the back of cabinet (C), Using M6X12 screw (AA) and M6 nut (EE);
- 3). As show in figure, install the lock (M) to the front plate cabinet (H), Using M4X10 screw (CC), M4 nut (FF) and 4 flat gasket (GG) ;

TIGHTEN SCREWS
HARDWARE USED

| | | | |
|------|---------------------|---|-------------------------------------------------------------------------------------|
| (AA) | M6x12mm SCREW | 4 |  |
| (EE) | M6 Nut | 4 |  |
| (BB) | M4x16mm SCREW | 3 |  |
| (CC) | M4x10mm SCREW | 4 |  |
| (FF) | M4 Nut | 7 |  |
| (GG) | 4 Flat Washer | 7 |  |
| (KK) | Suction flange ring | 1 |  |



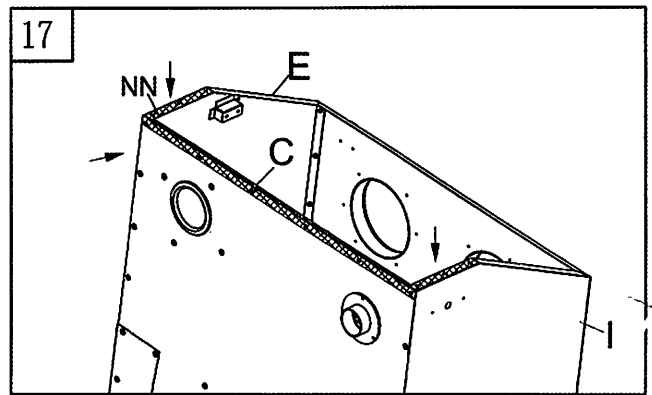
17. Stick the sealing cotton:

As show in the figure,stick the δ 3X22 sealing cotton on the left plate for cabinet (E), top of the right plate for cabinet (I) and rear top of the back of cabinet (C) .

Noted: Eusure the corner was sticked with sealing cotton.

HARDWARE USED

| | | |
|------|---------------------------|-----------------------------------------------------------------------------------|
| (NN) | Sealing cotton δ 3 |  |
|------|---------------------------|-----------------------------------------------------------------------------------|



18. Assebmle the top plate of cabinet (D)、 lamp (Q)、 switch box (F) etc.

1).As show in figure, Using M4X6 screw(DD)、 M4 nut(FF) and 4 flat gasket (TT) installed the lamp clamp(HH) to the top plate of cabinet (D);
2).Put the lamp into lamp clamp (HH), fasten tie(II) as picture;

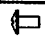








3).As show in figure, Using M6X12 screw(AA)and M6 nut(EE) installed the top plate (D)to the cabinet;
4).Connect the lamp (Q) wiring to the switch(F), attention to the wire color.

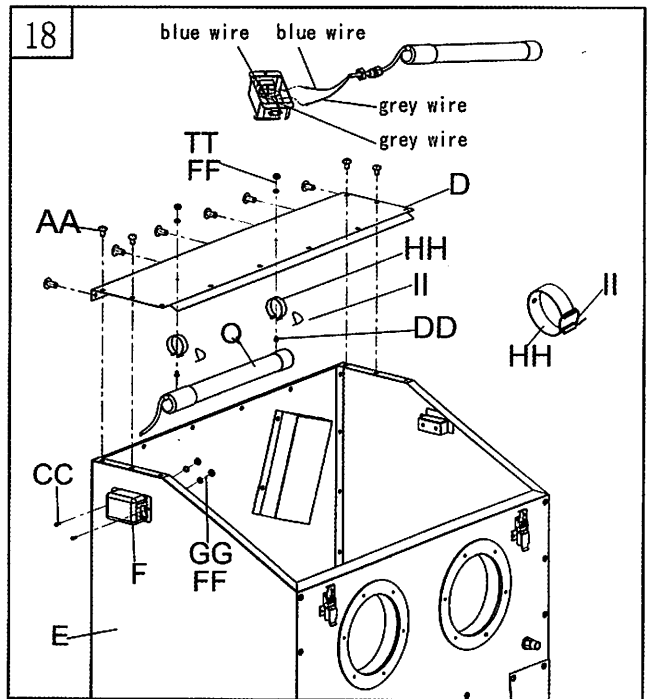
5).Using M4X10 screw (CC), M4 nut (FF) and 4 flat gasket (GG) installed the switch box (F) fixed to the left plate of cabinet(E).

Noted: Ensure the switch button is direction towards the operator.

TIGHTEN SCREWS

HARDWARE USED



| | | | |
|------|-----------------|----|-------------------------------------------------------------------------------------|
| (AA) | M6x12mm SCREW | 10 |  |
| (EE) | M6 Nut | 10 |  |
| (CC) | M4x10mm SCREW | 2 |  |
| (DD) | M4x6mm SCREW | 2 |  |
| (FF) | M4 Nut | 4 |  |
| (GG) | 4 Flat Washer | 2 |  |
| (TT) | 4 Spring Washer | 2 |  |
| (HH) | lamp clamp | 2 |  |
| (II) | Nylon cable tie | 2 |  |

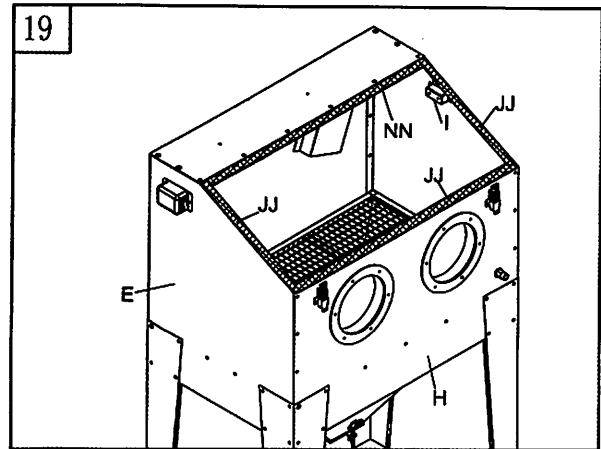


19. Stick the sealing cotton:

As show in the figure,According to the requirment , using the corresponding sealing cotton sitcked on doorframe of the top plate of cabinet (D), the front plate of cabinet (H) , the left side plate of cabient (E),the right side plate of cabinet (I) .stick the $\delta 3 \times 22$ sealing cotton(NN) on the upside edge of doorframe ;stick the $\delta 6 \times 22$ sealing cotton(JJ) on the other edges of doorframe;

HARDWARE USED

| | | |
|------|---------------------------|-----------------------------------------------------------------------------------|
| (NN) | Sealing cotton $\delta 3$ |  |
| (JJ) | Sealing cotton $\delta 6$ |  |



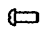



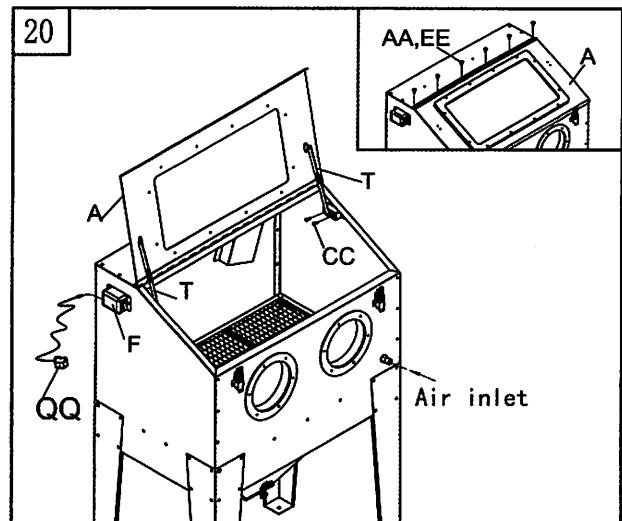
20. Assemble the top door assembly (A)、adaptor (QQ)

- 1). Install top door assembly (A) to the cabinet using M6X12 screw (AA) and M6 nut (EE)
- 2). Fix the safty plate (T) to the cabinet using M4X10 screw (CC)
- 3). Plug the adaptor (QQ) to switch box (F).

TIGHTEN SCREWS

HARDWARE USED

| | | |
|------|-----------------|-------------------------------------------------------------------------------------|
| (AA) | M6x12mm SCREW 6 |  |
| (EE) | M6 Nut 6 |  |
| (CC) | M4x10mm SCREW 4 |  |
| (QQ) | Adaptor 1 |  |



Warning:

- 1). Ensure all parts is correctly assembled;
- 2). Ensure all wiring and plug is correctly connected;
- 3). Ensure there is no leakage before operation.