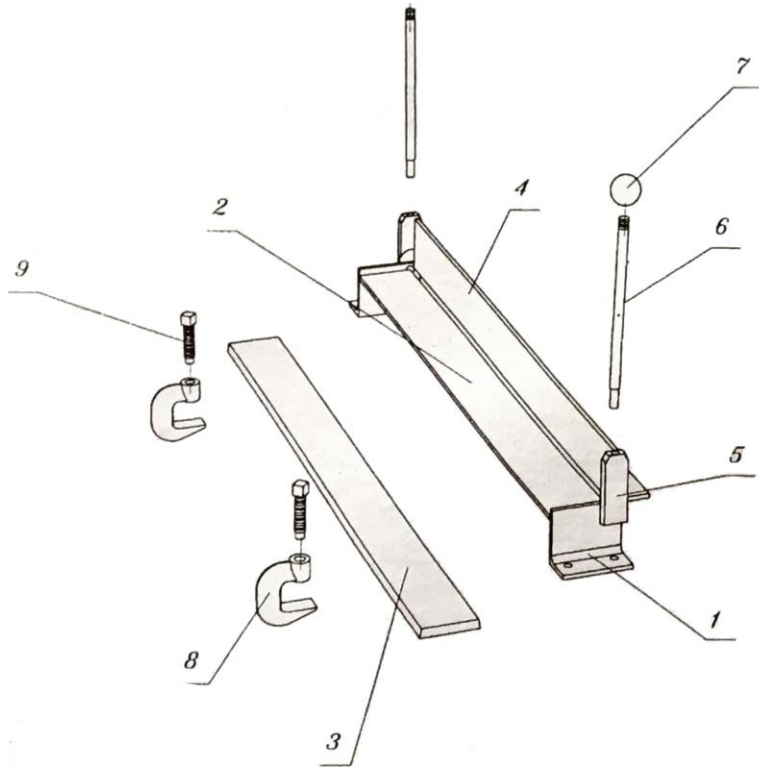


Installation Instructions for 81524 Bending Brake 30"

Part #	Description	Qty
1	Stand	1
2	Supporting Plate	1
3	Pressing Plate	1
4	Moving Plate	1
5	Pin	2
6	Handle lever	2
7	Handle Ball	2
8	"C" Ring	2
9	Bolt	2



Assembly

The 30" bending brake requires some minor assembly as described below. Please refer to the parts diagram and the part number listing.

Step 1: The stand (#1) should be secured to a work bench using the mounting holes and 4 bolts (3/8" diameter).

Step 2: Each handle ball (#7) should be attached to the handle lever (#6) and the handle levers should be placed into the pins (#5).

Step 3: To use the bending brake, lower the handle lever until the moving plate is parallel to the work bench. Position the material to be bent on the supporting plate (#2) and the moving plate and properly align with the edge to be bent up against the back edge of the supporting plate.

Step 4: Place and secure the pressing plate (#3) on top of the supporting plate with the back edge of pressing plate aligned with back edge of supporting plate.

Step 5: Raise the two handle levers to bend the material to the desired angle.

Step 6: When the bending brake is not in use, it should be covered and stored in a dry location.

WARNING FOR YOUR SAFETY AND TO PREVENT INJURY:

- When using the bending brake keep fingers clear of the supporting plate and moving plate to avoid personal injury. Keep work area clean. Cluttered areas invite injuries.
- OBSERVE WORK AREA CONDITIONS. Do not use tools in damp, wet, or poorly lit locations. Don't expose to rain. Keep work area well lit. KEEP CHILDREN AWAY. Children must never be allowed in the work area. Do not let them handle machines, tools and any parts.
- USE THE RIGHT TOOL FOR THE JOB. Do not attempt to force a small tool or attachment to do the work of a larger industrial tool. Do not use a tool for a purpose for which it was not intended.
- USE EYE AND EAR PROTECTION. Always wear ANSI approved impact safety goggles at other times. Wear a full face shield if you are producing metal filings or wood chips.

SPECIFICATIONS

- Bending capacity: Bend materials up to 17 gauge steel; Make up to 90 degree bends; Bends material up to 30 inches wide
- Designed for bench top mounting using 4 each 3/8" diameter bolts.
- Dimensions: 31 1/2" L x 6" W x 2-7/8" H

Inspection

- Visual inspection should be made before each use of tool. Visual inspection should be made before each use of this tool. Any part that appears damaged should be carefully checked to determine that it will operate properly and perform its intended function. Check for alignment and binding of moving parts, any broken parts or mounting fixtures, and any other condition that may affect proper operation. Any part that is damaged should be properly repaired or replaced by a qualified technician.
- It is recommended that an annual inspection of this tool be made and that any defective parts, decals, or warning labels be replaced with manufactures specified parts.



1-800-345-4545 jeps.com