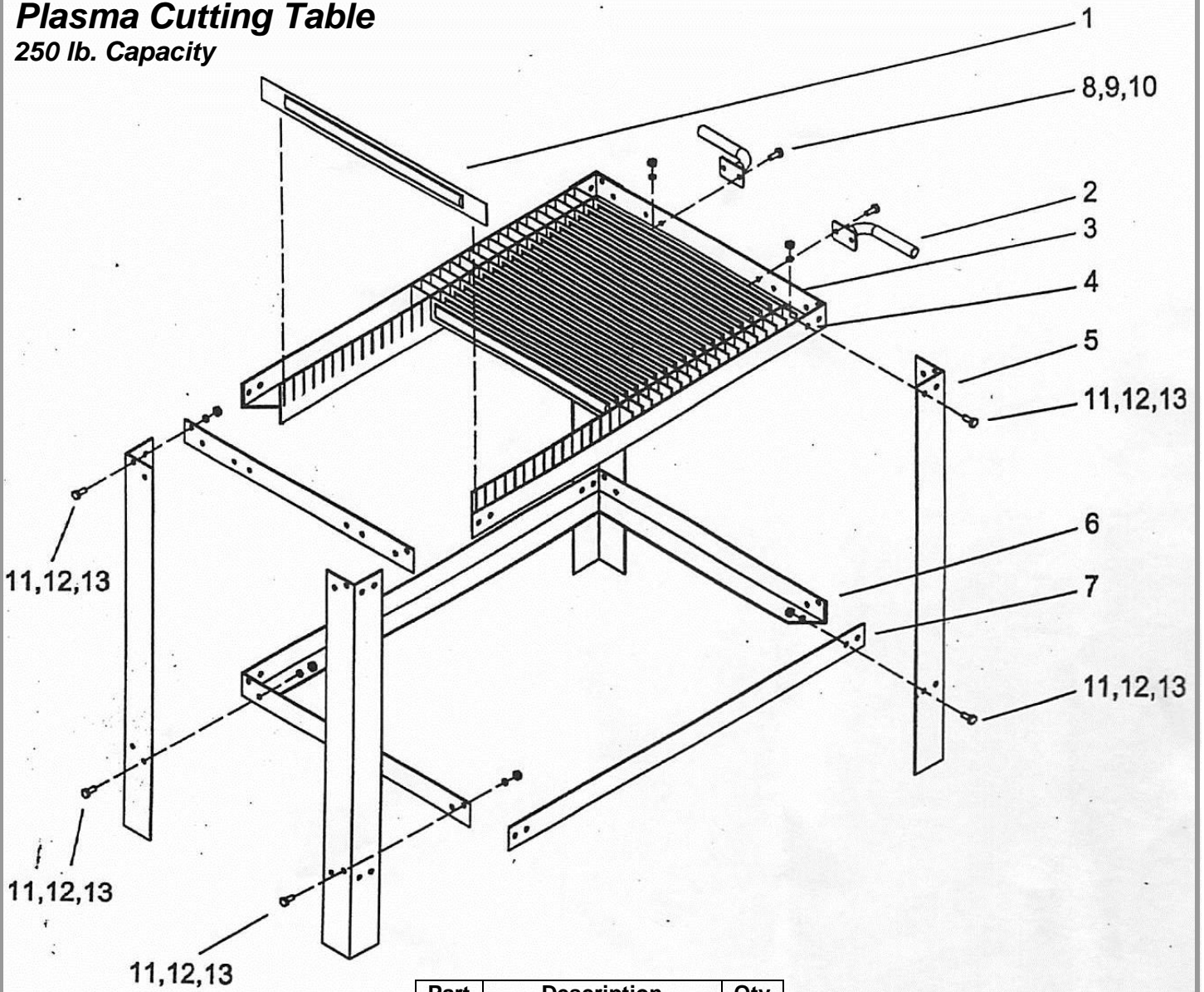


Installation Instructions for 81573

Plasma Cutting Table

250 lb. Capacity



Part	Description	Qty
1	Slats	32
2	Handle	2
3	Main Beam Short	2
4	Main Beam Length	2
5	Leg	4
6	Support Beam Short	2
7	Support Beam Length	2
8	Bolt M10	4
9	Ø10 Spring	4
10	Nut M10	4
11	Bolt M8	32
12	Ø8 Spring	32
13	Nut M8	32



1-800-345-4545 jegs.com