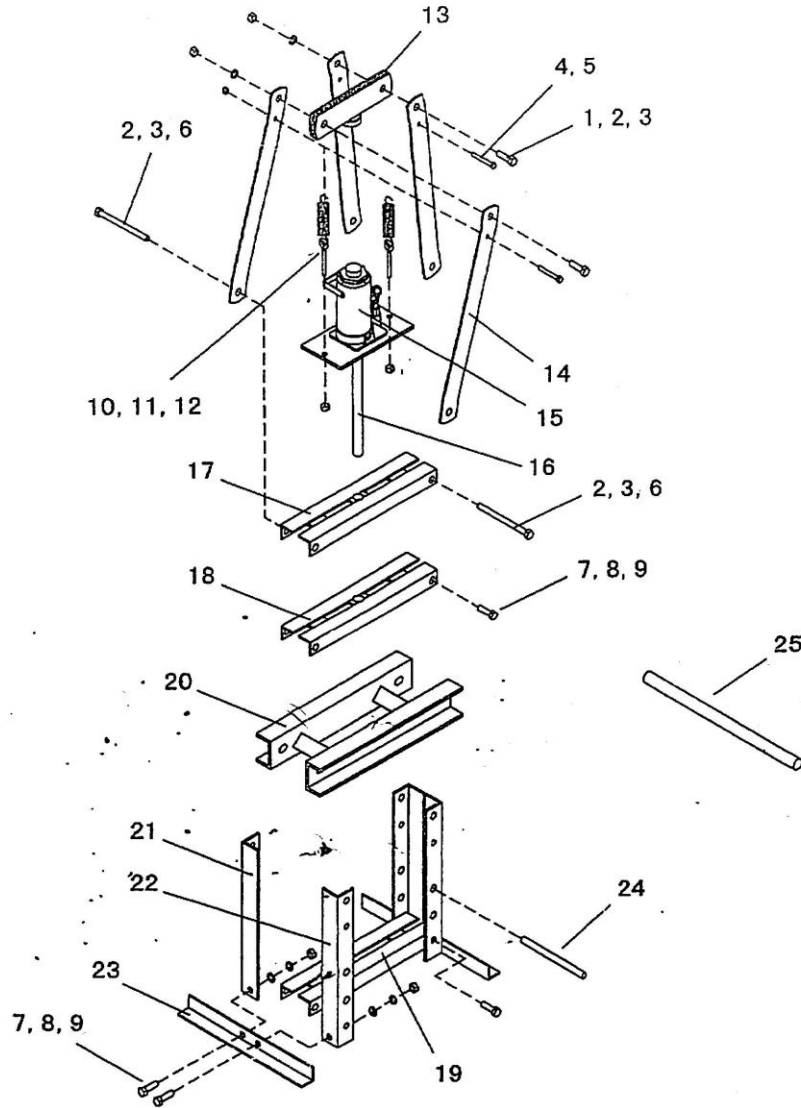


Installation Instructions for 81635

6-Ton Hydraulic Shop Press

A-Frame



PART	DESCRIPTION	QTY
1	Bolt M12X35	2
2	∅12 Washer	4
3	M12 Nut	4
4	Bolt M6X40	2
5	M6 Nut	2
6	Bolt M12X100	2
7	Bolt M10X30	12
8	∅10 Washer	12
9	M10 Nut	12
10	Spring	2
11	Bolt M8X80	2
12	M8 Nut	2
13	Part 1	1

PART	DESCRIPTION	QTY
14	Part 2	4
15	Pump	1
16	Pump base	1
17	Part 3	1
18	Part 4	1
19	Part 5	1
20	Press Platform	1
21	Part 6 (Right)	2
22	Part 7 (Left)	2
23	Base section	2
24	Rod	2
25	Handle	1