

ASSEMBLY INSTRUCTIONS

WELDING CABINET

286 LB CAPACITY
33-1/2" L X 18-1/2" W X 33" H



ITEM 81641

⚠ WARNING

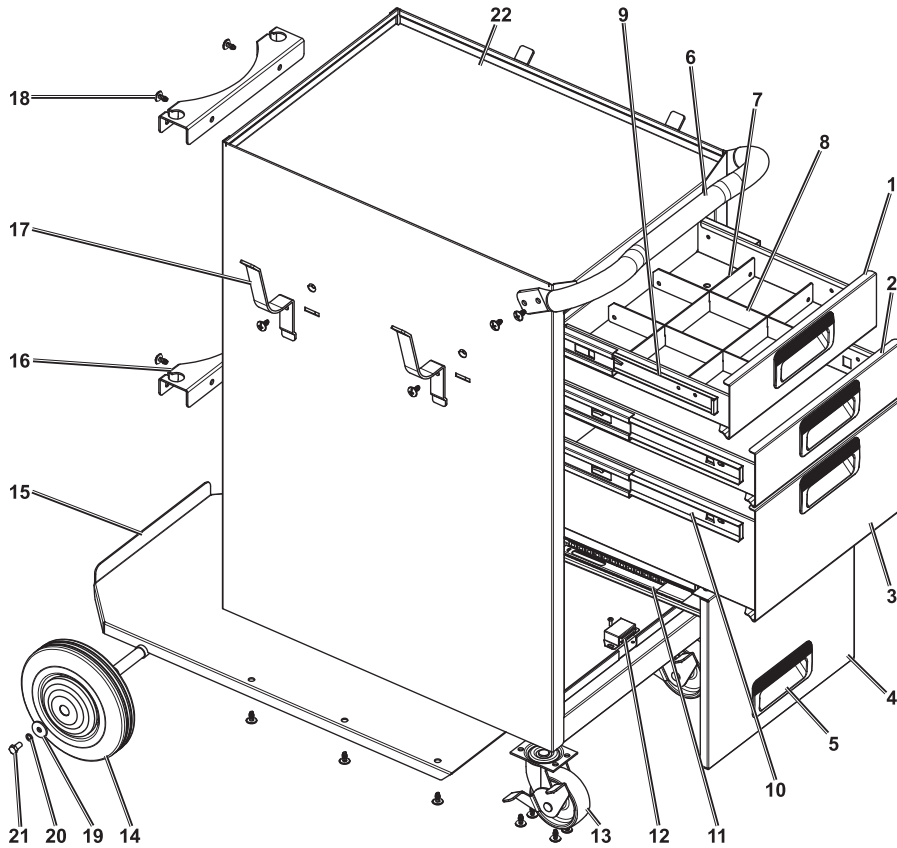
Read this material before using this product. Failure to do so can result in serious injury.
SAVE THIS MANUAL.



1-800-345-4545 jeps.com

Parts List and Diagram

Part	Description	Qty	Part	Description	Qty
1	Drawer 11" x 10.6" x 2"	1	12	Magnet	1
2	Drawer 11" x 16" x 2"	1	13	3" x 1" Caster	2
3	Drawer 11" x 16" x 5.4"	1	14	6.3" Fixed Wheel	2
4	Door	1	15	Bottom Panel	1
5	Drawer Handle	4	16	Bottle Rack	2
6	Handle	1	17	Reel Support	4
7	Long Divider	2	18	Screw ST6.3X12	28
8	Short Divider	2	19	Fender Washer	2
9	10" Ball Bearing Slide	2	20	Spring Washer	2
10	16" Ball Bearing Slide	4	21	Bolt M6X12	2
11	Door Slide	2	22	Housing	1



Assembly Instructions

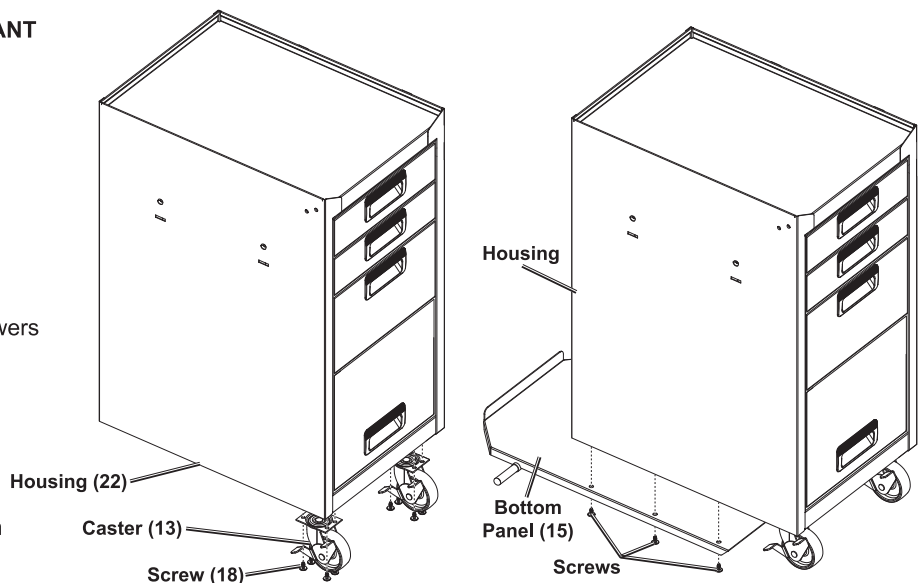


Read the **ENTIRE IMPORTANT SAFETY INFORMATION** section at the beginning of this document including all text under subheadings therein before set up or use of this product.

Note: When attaching hardware, hand tighten only until all parts are assembled, then use the appropriate tools to tighten the hardware.

Note: Before assembly, open the Drawers and remove all parts and hardware.

1. Attach the Casters (13) under the front of the Housing (22) using four Screws (18) each.
2. Attach Bottom Panel (15) to bottom of Housing using six Screws.

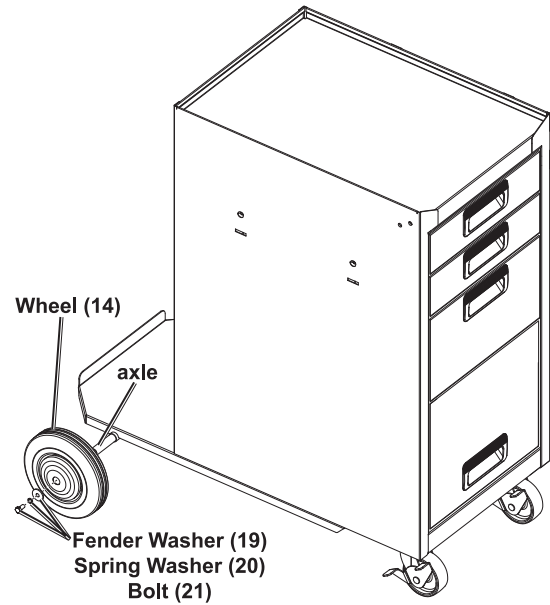
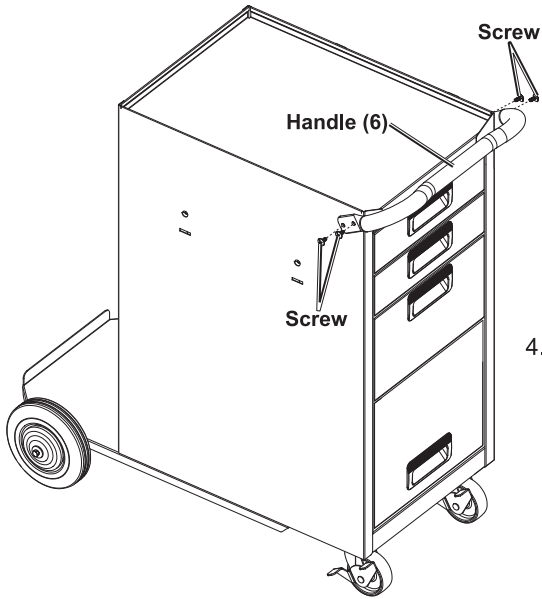


JEGS
Performance Products

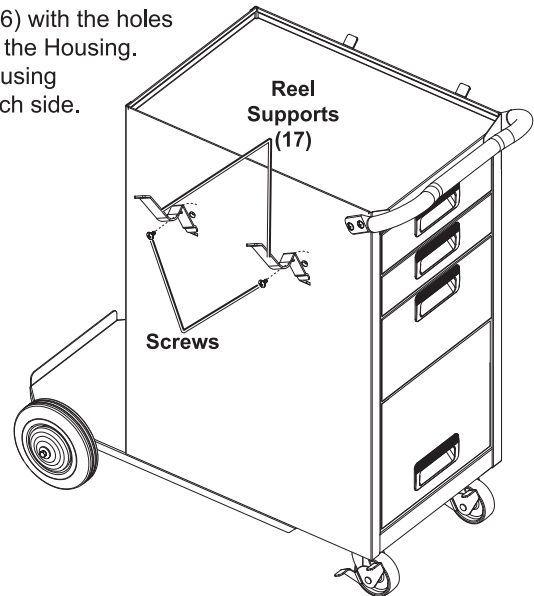
1-800-345-4545 jegs.com

Assembly Instructions

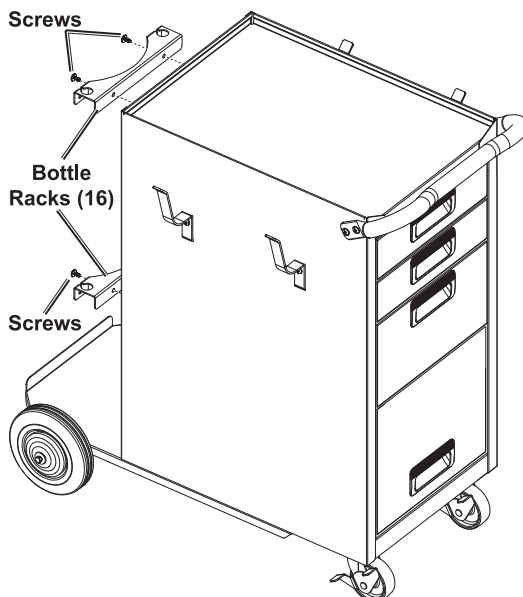
- Place Wheels (14) on the axles on the back of the Bottom Panel. Secure the Wheels onto the axles using Fender Washer (19), Spring Washer (20), and Bolt (21).



- Align the Handle (6) with the holes on the front top of the Housing. Secure it in place using two Screws on each side.



- Insert the bottom end of one of the Reel Supports (17) into one of the slots on the side of the Housing and secure it with a Screw. Repeat for all four Reel Supports.



- Secure the Bottle Racks (16) to the back of the Housing with their flat sides up using two Screws each.

- Tighten all hardware securely.

Important Safety Information

Assembly Precautions

1. Assemble only according to these instructions. Improper assembly can create hazards.
2. Wear safety goggles and heavy-duty work gloves during assembly.
3. Keep assembly area clean and well lit.
4. Keep bystanders out of the area during assembly.
5. Do not assemble when tired or when under the influence of drugs or medication.
6. Weight capacity and other product capabilities apply to properly and completely assembled product only.

Use Precautions

1. This product is not a toy. Do not allow children to play with or near this item.
2. Use as intended only. Do not sit, stand or ride on cabinet.
3. Inspect before every use; do not use if parts are loose or damaged.
4. Do not exceed listed weight capacity, evenly distributed and balanced. **Be aware of dynamic loading!** Sudden load movement may briefly create excess load causing product failure.
5. Do not open more than one loaded drawer at a time to avoid tipping.
6. Operate and store the Cabinet on a flat, dry, level surface.
7. Read welding equipment manual before use.
8. If using gas cylinders, be especially careful to prevent tipping or damage to the cylinders. Follow gas cylinder supplier's and gas supplier's safety instructions at all times.
9. People with pacemakers should consult their physician(s) before use. Electromagnetic fields in close proximity to heart pacemaker could cause pacemaker interference or pacemaker failure.

Operation

1. Make sure that the welder and all accessories combined do not exceed the weight capacity of this Cabinet.
2. Place any gas cylinders on the back shelf, and secure in place with two chains (sold separately). Adjust chains' length to hold the cylinder(s) securely.
3. Place the welder on the top shelf and other accessories in the Drawers.
4. Make sure everything is secure and the Cabinet is well balanced. If the welder is unstable or does not fit securely on the shelf, do not use that welder with this Cabinet.

Maintenance

1. Periodically tighten all of the hardware.
2. Make sure the casters and wheels are free of all dirt, debris, and grease.



1-800-345-4545 jegs.com