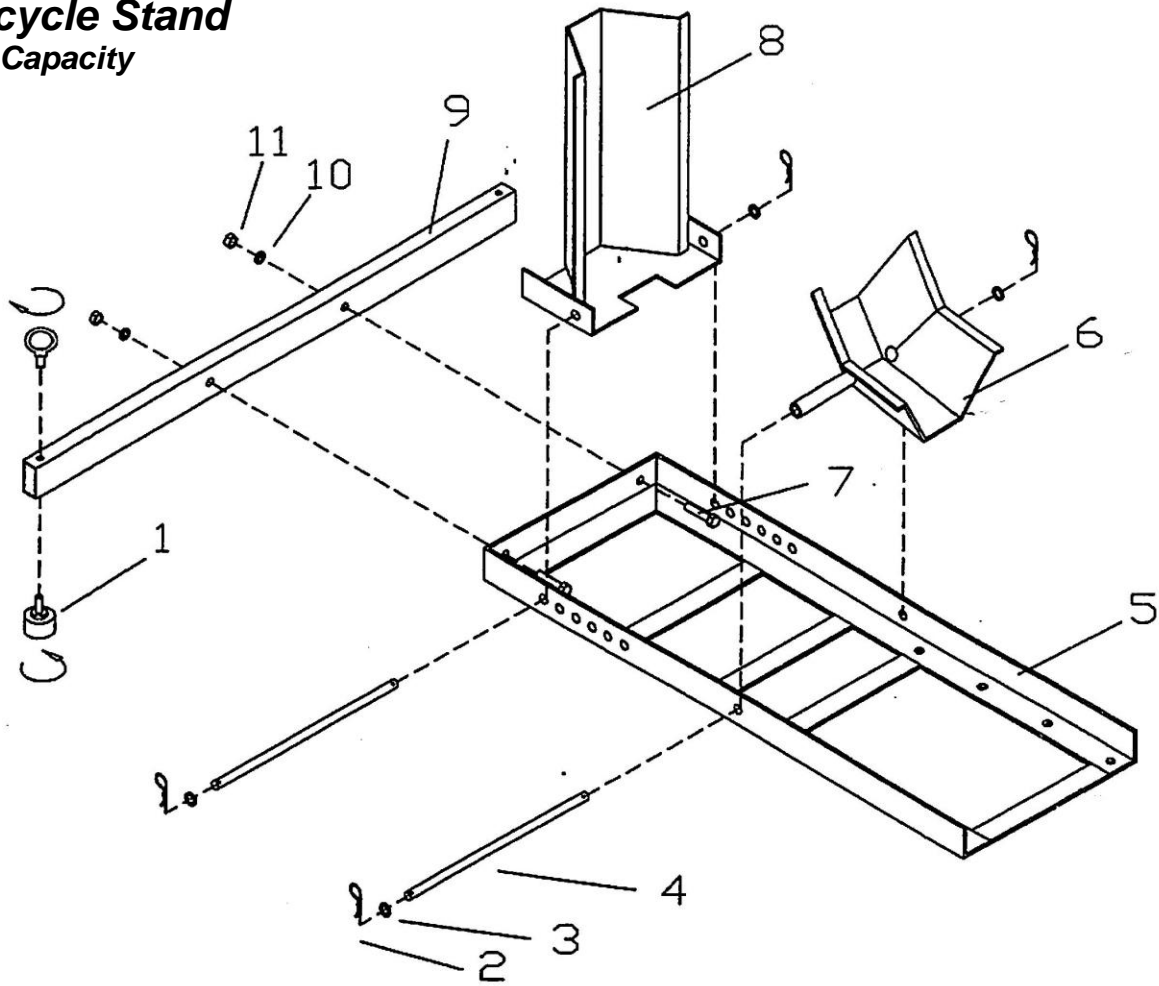


**Installation Instructions for 87002**  
**Motorcycle Stand**  
 1000 lb. Capacity



PART	DESCRIPTION	QTY
1	Fix piece	2
2	" R " Pin	4
3	Washer $\varnothing 12$	4
4	Pin	2
5	Base	1
6	Wheel Adapter	1
7	Bolt M10x45	2
8	Cradle Stop	1
9	Support Arm	1
10	Washer $\varnothing 10$	2
11	Bolt M10	2