



TRAIL CAN TOOLBOX

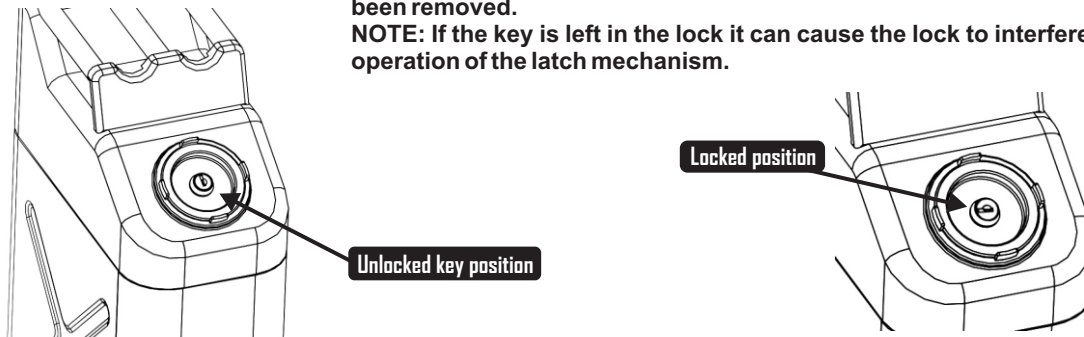
Part # 86619

Operation

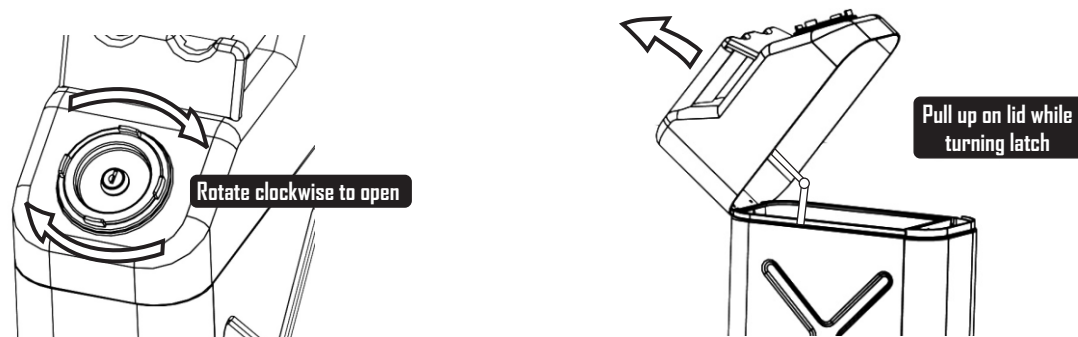
Be sure the lock is in the unlocked position as shown and that the key has been removed.

NOTE: If the key is left in the lock it can cause the lock to interfere with the operation of the latch mechanism.

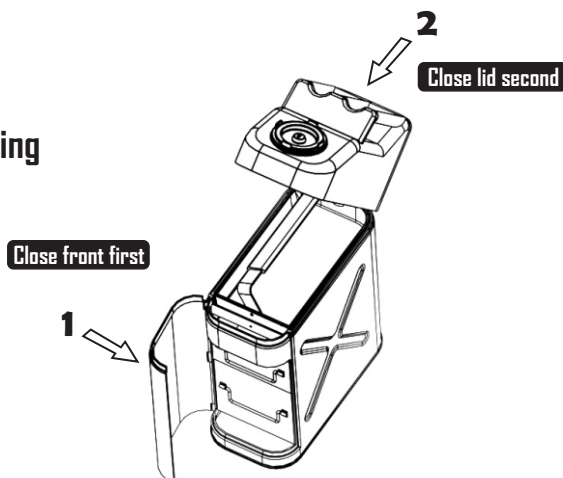
Locking



Opening



Closing



Important Precautions:

- Clean with soap and water. Do not use harsh chemicals as they may cause damage to the finish.
- Lubricate the hinges, lock, latch assembly and the catch on the lower section to maintain proper function.
- Be very careful not to let the lid fall freely as it could cause harm or damage to the tool box.
- Be careful what type of mount is used to attach the TrailCan to a vehicle. The best way is a traditional Gerry can mount that supports the whole base of the can. The off centered mounts may cause damage to the main hinge.
- The TrailCan is not intended to be waterproof but includes drainage holes in the top tray to allow water to escape without collecting inside if exposed to water.

Warranty Information

Rampage products, Inc. warrants to the original purchaser of any product it manufactures, that the product will be free of defects in material or workmanship for a period of 90 days from date of purchase. Such obligations under this warranty shall be limited to the repair or replacement, at Rampage products discretion, of any assembly or parts which, upon examination by Rampage products, Inc. proves to be defective. All defective items must be returned with proof of purchase to Rampage products, Inc., freight prepaid. This warranty does not cover damage resulting from abuse, misuse, alteration, accident or damage in transit. Rampage products obligations under this warranty are limited to the aforementioned repair or replacement of warranty defects for which the return authorization has been received during the warranty period, and Rampage products, Inc. shall not be liable for any incidental or consequential damages arising from breach of this or any implied warranty.