



Equipped with AEM® Dryflow™ Filter
No Oil Required!

INSTALLATION INSTRUCTIONS

PART NUMBER

21-797C (GUN METAL GRAY FINISH)

2016-18

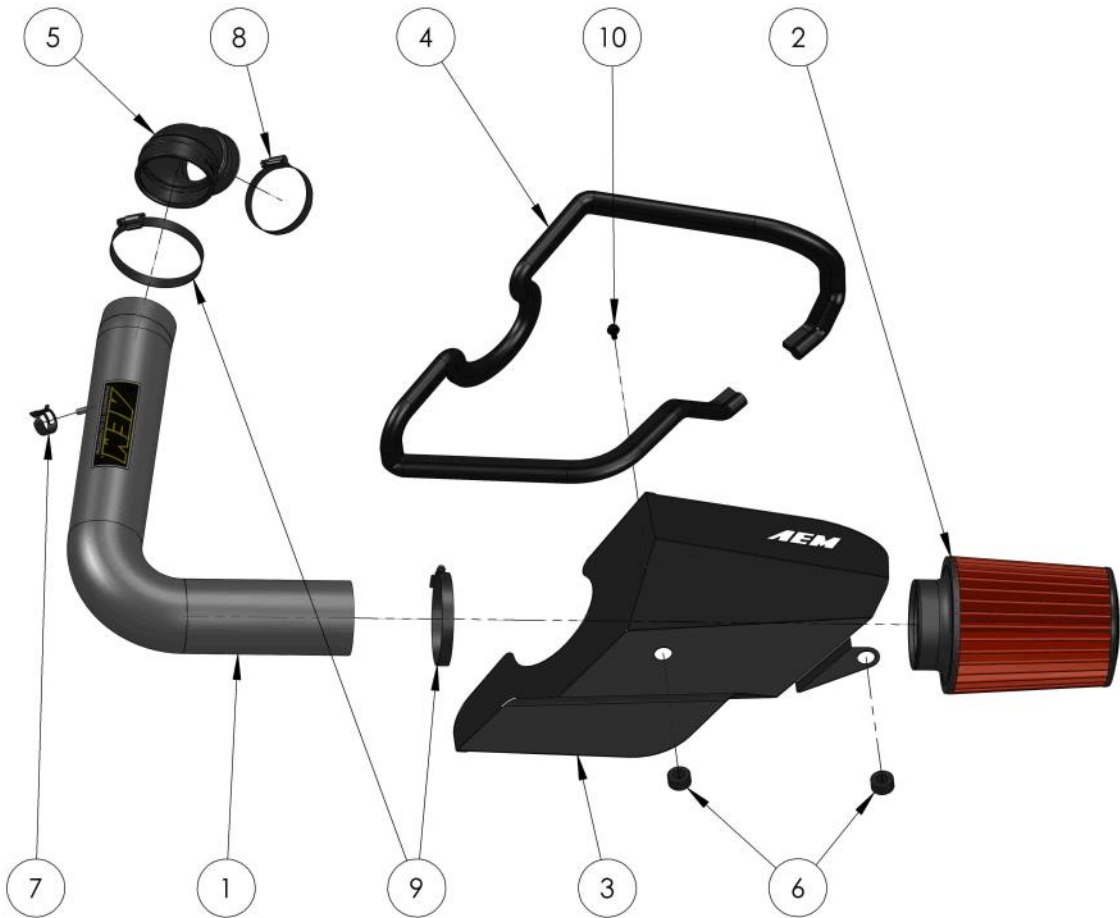
VW

Jetta

1.4T

Not legal for sale or use on any pollution controlled motor vehicle in California or states adopting California emission procedures. See AEMIntakes.com for CARB status on each part for a specific vehicle.

ITEM NO.	PART NUMBER	DESCRIPTION	QTY.
1	2-1578C	TUBE; 3.25"D X 24.5"L, AL, 2016 VW JETTA 1.4T	1
2	21-2113DK	AIR FILTER; 3.25" X 7" DRYFLOW	1
3	20-8584	HEAT SHIELD; 2016 VW JETTA 1.4T	1
4	102470	EDGE TRIM; 3/4 BULB, TOP LOC, 57"L	1
5	5-1096	COUPLER; 3.125"ID X 2.375"ID, 64DEG	1
6	08064	GROMMET; 1"OD,1/2"ID,1/2"THK	2
7	345003	SPRING CLAMP; FBS, 15MM/12M	1
8	08554K	HOSE CLAMP #40, BLACK ZINC PLATED	1
9	08620K	HOSE CLAMP #56, BLACK ZINC PLATED	2
10	1-2110	BOLT; HEX/FLANGE M6-1.0 X 12	1



Read and understand these instructions **BEFORE** attempting to install this product. Failure to follow installation instructions and not using the provided hardware may damage the intake tube, throttle body and engine. If you need any assistance please call 1-800-858-3333 to speak with a representative in our Customer Service Center before returning the product.

1. Preparing Vehicle

- a. Make sure vehicle is parked on level surface.
- b. Set the parking brake.
- c. If engine has run in the past two hours, let it cool down.
- d. Disconnect negative battery terminal.
- e. Do not discard stock components after removal of the factory system.
- f. Open the air intake kit package and make sure all parts are included.

Tools Needed:	Optional:
T20 Torx Key	Small Torque Wrench
8mm Socket	Soapy Water
Socket Driver	
Long-nose Pliers	
Flat Screwdriver	
Utility Knife	

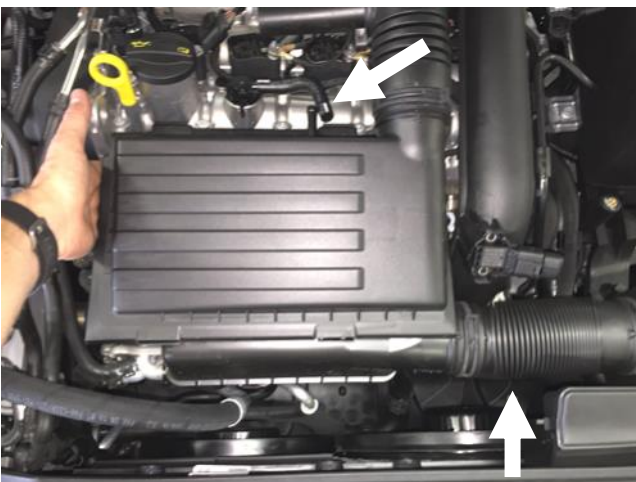
2. Removal of Factory System



a. Use a T20 Torx key to remove the two screws securing the factory fresh air inlet to the radiator core support.



b. Use long-nose pliers to disengage the spring clamp securing the factory plumbing to the turbo inlet. Slide the spring clamp up & away from the end of the tube portion. Pull the tube portion up & off of the turbo inlet.



c. Pull the vent hose off of the back of the air box (upper arrow). The factory plumbing can now be removed by placing one hand as shown and the other according to the lower arrow above & lifting firmly straight up.



d. Once the air box is removed, use a screwdriver to pry one of the rubber mounts out of the air box taking care to not puncture or tear the grommet.

3. Installation of AEM® intake system.

a. When installing the intake system, do not completely tighten the hose clamps or mounting hardware until instructed to do so.



a. Install the small end of included coupler with it's corresponding hose clamps on each end (refer to diagram on pg2). Using soapy water as a lubricant is helpful.



b. Assemble the heat shield assembly including the edge trim & grommets as shown in the diagram on pg 2 & install as shown. Cut off excess trim if necessary.



c. Secure the heat shield with the included M6 bolt.



d. Press the factory grommet removed in step 2d into the stand-off on the bottom of your new AEM intake tube. Again, using soapy water as a lubricant may be helpful.



e. Lower the tube into position. Press down firmly to engage the rubber mount onto the factory mount location.



f. Position the air filter along with the final hose clamp onto the tube. Once the tube is aligned and the coupler and air filter are both fully engaged, you may tighten all three hose clamps to 30 in-lbs.



g. Install the vent hose onto the tube with the included spring clamp.



STOCK INTAKE INSTALLED



AEM INTAKE INSTALLED

4. Reassemble Vehicle

- a. Ensure that all kit components are positioned for best fitment and that no components contact any unintended part of the vehicle.
- b. Check for proper hood clearance. Re-adjust components if necessary and re-tighten them.
- c. Inspect the engine bay for any loose tools and ensure that all fasteners that were moved or removed are properly tightened.
- d. Reconnect negative battery terminal and start engine. Let the vehicle idle for 3 minutes. Perform a final inspection before driving the vehicle.

5. Service and Maintenance

- a. AEM Induction Systems requires cleaning the intake system's air filter element every 100,000 miles. When used in dusty or off-road environments, our filters will require cleaning more often. We recommend that you visually inspect your filter once every 25,000 miles to determine if the screen is still visible. When the screen is no longer visible some place on the filter element, it is time to clean it. To clean, purchase our Synthetic air filter cleaner, part number 1-1000 and follow the easy instructions.
- b. Use window cleaner to clean your powder coated AEM[®] intake tube.

NOTE: DO NOT USE aluminum polish on powder coated AEM[®] intake tubes.

For technical inquiries
e-mail us at
sales@aemintakes.com
or
call us at
800.992.3000

AEM Air Intake System Warranty Policy

AEM® warrants that its intake systems will last for the life of your vehicle. AEM® will not honor this warranty due to mechanical damage (i.e. improper installation or fitment), damage from misuse, accidents or flying debris. AEM® will not warrant its powder coating if the finish has been cleaned with a hydrocarbon-based solvent. The powder coating should only be cleaned with a mild soap and water solution. Proof of purchase of both the vehicle and AEM® intake system is required for redemption of a warranty claim.

This warranty is limited to the repair or replacement of the AEM® part. In no event shall this warranty exceed the original purchase price of the AEM® part nor shall AEM® be responsible for special, incidental or consequential damages or cost incurred due to the failure of this product. Warranty claims to AEM® must be transportation prepaid and accompanied with dated proof of purchase. This warranty applies only to the original purchaser of product and is nontransferable. Improper use or installation, use for racing, accident, abuse, unauthorized repairs or alterations voids this warranty. AEM® disclaims any liability for consequential damages due to breach of any written or implied warranty on all products manufactured by AEM®. Warranty returns will only be accepted by AEM® when accompanied by a valid Return Merchandise Authorization (RMA) number. Credit for defective products will be issued pending inspection. Product must be received by AEM® within 30 days of the date RMA is issued.

If you have a warranty issue, please call (800) 992-3000 and our customer service department will assist you. A proof of purchase is required for all AEM® warranty claims.

Not legal for sale or use on any pollution controlled motor vehicle in California or states adopting California emission procedures. See AEMIntakes.com for CARB status on each part for a specific vehicle.