



Equipped with AEM® Dryflow™ Filter
No Oil Required!

INSTALLATION INSTRUCTIONS

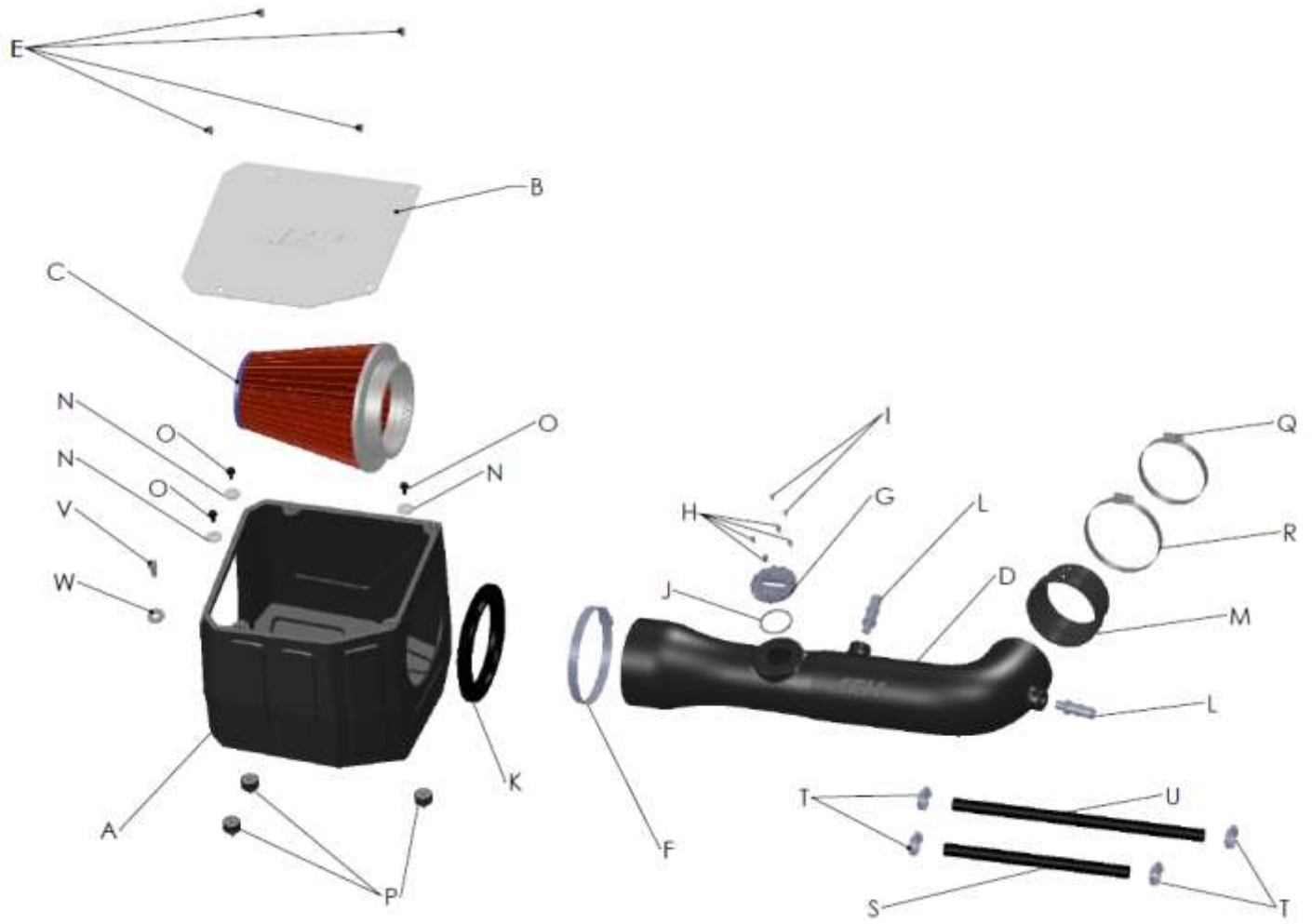
PART NUMBER: 21-8033DC

2014-16	Chevrolet Silverado 1500	5.3L/6.2L	C.A.R.B. E.O. # D-670-23
2014-16	GMC Sierra 1500	5.3L/6.2L	C.A.R.B. E.O. # D-670-23
2015-16	GMC Yukon/Denali/XL	5.3L/6.2L	C.A.R.B. E.O. # D-670-23
2015-16	Cadillac Escalade/ESV	6.2L	C.A.R.B. E.O. # D-670-23
2015-16	Chevrolet Tahoe	5.3L	C.A.R.B. E.O. # D-670-23
2015-16	Chevrolet Suburban	5.3L	C.A.R.B. E.O. # D-670-23

Intake systems for vehicles listed are 50 state legal. See AEMIntakes.com for CARB status on each part for a specific vehicle.

PARTS LIST

	Description	Qty.	Part Number
A	AIR BOX	1	9-0406
B	AIR BOX LID	1	20-8543
C	AIR FILTER	1	21-2075DK
D	INLET TUBE	1	9-0440
E	BOLT,BUTTON HEAD M6-1.0 X 10MM	4	1-112
F	HOSE CLAMP: 4.75-5.50"	1	9480
G	ADAPTER, HITACHI MAF WITH O-RING GROOVE	1	8-181
H	BOLT; SOCKET M4-.07 X 8MM	4	1-2105
I	BOLT; M4-0.7 X 6MM	2	1-2051
J	O-RING, SIZE 223 BUNA 50	1	8-182
K	EDGE TRIM; 3/4" BULB, TOP LOC, 20"L	1	102494
L	VENT; 1/4 NPT TO QUICK DISCONNECT	2	082628
M	THROTTLE BODY COUPLER (5.3/6.2)	1	341018/341014
N	WASHER; 1"D X 1/4 HOLE FENDER	3	08160
O	BOLT; HEX/FLANGE M6-1.0 X 12	3	1-2110
P	STUD; RUBBER MNT, M/F, 1/2"L X 1"W, M6 X 1.00	3	070228
Q	1/2" BNDHOSE CLAMP, 3.15"-4.00"	1	9456
R	1/2" BNDHOSE CLAMP, 3.56"-4.50"	1	9464
S	HOSE; 5/8" ID X 11"L	1	5-7011
T	HOSE CLAMP # 10 MINI	4	08411
U	HOSE; 5/8" ID X 15" L	1	5-7015
V	BOLT; HEX M8-1.25 X 20MM	1	1-2034
W	WASHER, 8MM SOFT MOUNT	1	559960



Read and understand these instructions **BEFORE** attempting to install this product. Failure to follow installation instructions and not using the provided hardware may damage the intake tube, throttle body and engine.

Tools Needed

Ratchet
8, 10, 13, and 19 mm
Sockets
Extension
T15 Torx
#2.5 & 3 Allen
5/32" Allen

1. Preparing Vehicle

- Make sure vehicle is parked on level surface.
- Set the parking brake.
- If engine has run in the past two hours, let it cool down.
- Disconnect negative battery terminal.
- Do not discard stock components after removal of the factory system.
- Open the air intake kit package and make sure all parts are included.

2. Removal of stock system



a. Remove both crankcase vent hoses by squeezing the white clip at the valve cover breather port.



b. Pull up on the red locking clip, then depress down on the black tab while removing the mass air sensor connector.



c. Loosen the hose clamps on the air box and the throttle body. Then pull the resonator box out of the vehicle.



d. Gently pull up on the air box to remove it from the rubber grommets and remove from engine compartment.



e. Loosen and remove the four M6 bolts. Remove the air box plate from the vehicle. These will not be re-used. Note: Do not discard the plate or hardware.



f. Remove the two M4 torx bolts with a T15 bit and slide the mass air sensor out of the tube. Note: Be very careful with the sensor. This will be re-installed in step 3c

3. Installation of AEM® intake system.

a. When installing the intake system, do not completely tighten the hose clamps or mounting hardware until instructed to do so.



a. Install the provided O-ring into the mass air sensor adapter.



b. Install the mass air sensor adapter onto the tube with the provided M4 allen bolts.



c. Install the mass air sensor into the mass air sensor adapter that has already been attached to the AEM intake tube with the provided M4 allen's. Note: Be very careful with the mass air sensor.



d. Install the two vent hose fittings into the tube. Note: Hand tighten, then add a quarter turn with a wrench.



e. Slide the two supplied vent hoses and four clamps onto the vent fittings and tighten. The shorter hose will go on the left vent, and the longer hose will go on the right vent.



f. Install the edge trim onto the AEM air box, trim off excess if necessary.



g. g. Install the throttle body coupler with hose clamps 5.3L use p/n 341018 and #56; 6.2L use p/n 341014 and #64. Do not tighten clamps at this point.



h. Install the three supplied bushings and mount them into the inner right side fender.



i. Install the AEM air box into the inner right side fender area over the previously installed rubber bushing mounts. Use the supplied M6 bolts and washers to secure air box to the rubber bushing mounts.



j. Gently place AEM air filter into the air box with supplied hose clamp on filter flange.



k. Install the assembled AEM tube into the AEM air box first then insert it into the throttle body coupler. Then slide the two vent fitting hoses over the valve cover breather ports and tighten those hose clamps.



l. Slide the filter onto the tube and tighten the hose clamp.



m. Tighten both of the intake tube to throttle body coupler hose clamps.



n. Replace fender support bolt with shorter replacement (1-2034) supplied in the kit.



o. Carefully install the powder coated AEM air box lid with the 4 included button head screws.



p. Reconnect the mass air sensor plug back into the mass air sensor, then push down on the red locking tab.



Stock intake system Installed



AEM intake system installed

4. Reassemble Vehicle

- a. Position the inlet tube for the best fitment. Be sure that the tube or any other components do not contact any part of the vehicle. Tighten the rubber mounts, all bolts, and hose clamps.
- b. Check for proper hood clearance. Re-adjust tubes if necessary and re-tighten them.
- c. Inspect the engine bay for any loose tools and check that all fasteners that were moved or removed are properly tightened.
- d. Reconnect negative battery terminal and start engine. Let the vehicle idle for 3 minutes. Perform a final inspection before driving the vehicle.

5. Service and Maintenance

- a. AEM Induction Systems requires cleaning the intake system's air filter element every 100,000 miles. When used in dusty or off-road environments, our filters will require cleaning more often. We recommend that you visually inspect your filter once every 25,000 miles to determine if the screen is still visible. When the screen is no longer visible some place on the filter element, it is time to clean it. To clean, purchase our Synthetic air filter cleaner, part number 99-0624 and follow the easy instructions.
- b. Use window cleaner to clean your powder coated AEM[®] intake tube.

For technical inquiries
e-mail us at
sales@aemintakes.com
or
call us at
800.992.3000

AEM Air Intake System Warranty Policy

AEM® warrants that its intake systems will last for the life of your vehicle. AEM® will not honor this warranty due to mechanical damage (i.e. improper installation or fitment), damage from misuse, accidents or flying debris. AEM® will not warrant its powder coating if the finish has been cleaned with a hydrocarbon-based solvent. The powder coating should only be cleaned with a mild soap and water solution. Proof of purchase of both the vehicle and AEM® intake system is required for redemption of a warranty claim.

This warranty is limited to the repair or replacement of the AEM® part. In no event shall this warranty exceed the original purchase price of the AEM® part nor shall AEM® be responsible for special, incidental or consequential damages or cost incurred due to the failure of this product. Warranty claims to AEM® must be transportation prepaid and accompanied with dated proof of purchase. This warranty applies only to the original purchaser of product and is nontransferable. Improper use or installation, use for racing, accident, abuse, unauthorized repairs or alterations voids this warranty. AEM® disclaims any liability for consequential damages due to breach of any written or implied warranty on all products manufactured by AEM®. Warranty returns will only be accepted by AEM® when accompanied by a valid Return Merchandise Authorization (RMA) number. Credit for defective products will be issued pending inspection. Product must be received by AEM® within 30 days of the date RMA is issued.

If you have a warranty issue, please call (800) 992-3000 and our customer service department will assist you. A proof of purchase is required for all AEM® warranty claims.

Intake systems for vehicles listed are 50 state legal. See AEMIntakes.com for CARB status on each part for a specific vehicle.