

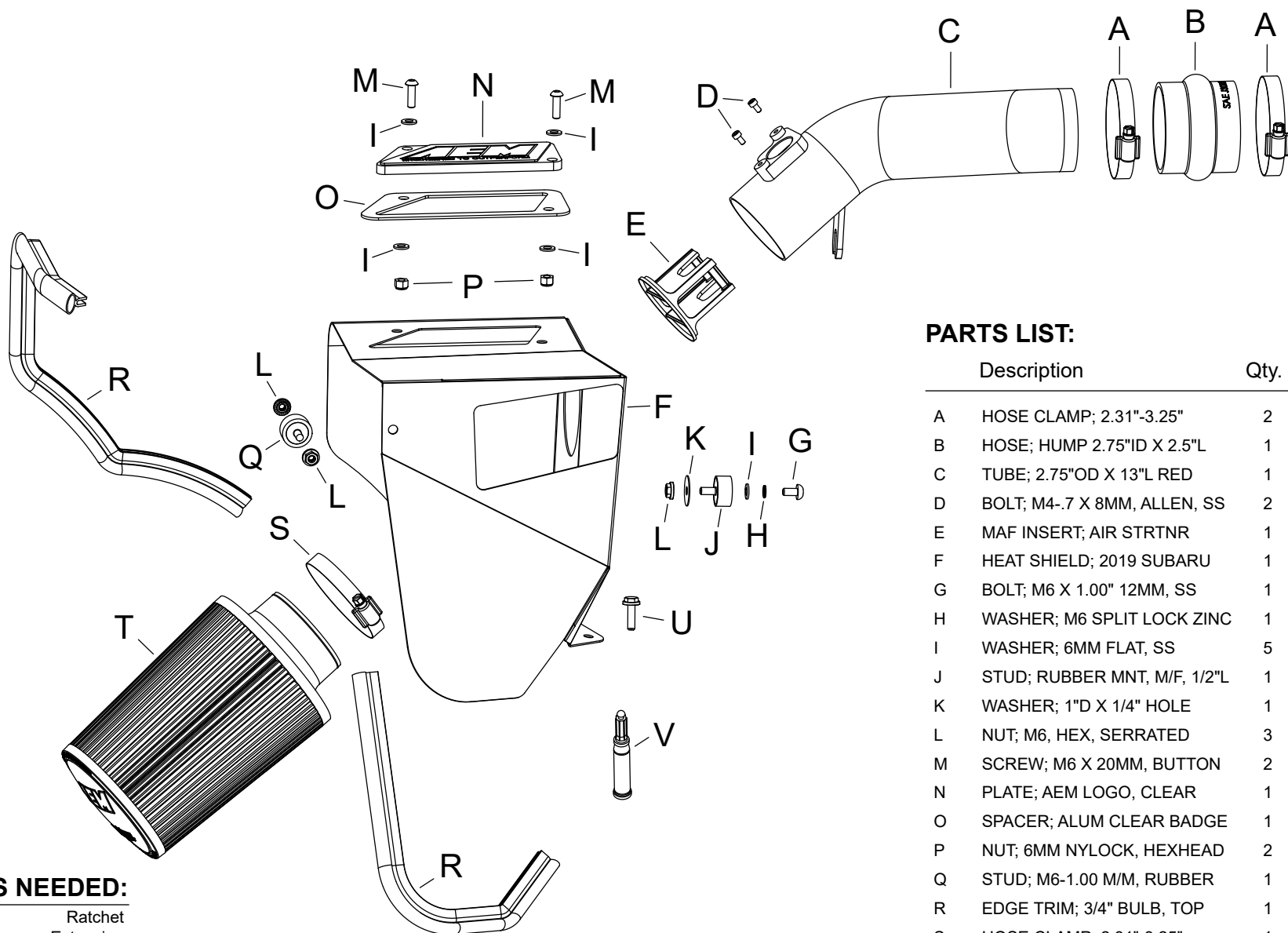


INSTALLATION INSTRUCTIONS

**21-863WR
SUBARU
2019 WRX STI
H4-2.5L Turbo**

NOT LEGAL FOR SALE OR USE ON ANY POLLUTION CONTROLLED MOTOR VEHICLE IN CALIFORNIA OR STATES ADOPTING CALIFORNIA EMISSION PROCEDURES.

See aemintakes.com for CARB status on each part for a specific vehicle



PARTS LIST:

	Description	Qty.	Part #
A	HOSE CLAMP; 2.31"-3.25"	2	9444
B	HOSE; HUMP 2.75"ID X 2.5"L	1	08185
C	TUBE; 2.75"OD X 13"L RED	1	2-1606WR
D	BOLT; M4-.7 X 8MM, ALLEN, SS	2	07733
E	MAF INSERT; AIR STRTNR	1	9-21070
F	HEAT SHIELD; 2019 SUBARU	1	20-8650
G	BOLT; M6 X 1.00" 12MM, SS	1	07794
H	WASHER; M6 SPLIT LOCK ZINC	1	1-3025
I	WASHER; 6MM FLAT, SS	5	08269
J	STUD; RUBBER MNT, M/F, 1/2"L	1	070228
K	WASHER; 1"D X 1/4" HOLE	1	08160
L	NUT; M6, HEX, SERRATED	3	444.460.04
M	SCREW; M6 X 20MM, BUTTON	2	KIT20BHC3060
N	PLATE; AEM LOGO, CLEAR	1	8-211
O	SPACER; ALUM CLEAR BADGE	1	7-364
P	NUT; 6MM NYLOCK, HEXHEAD	2	07512
Q	STUD; M6-1.00 M/M, RUBBER	1	07027
R	EDGE TRIM; 3/4" BULB, TOP	1	102498
S	HOSE CLAMP; 2.31"-3.25"	1	9444
T	AIR FILTER; 2.75" FLG, 5-1/2"B	1	21-2157DK
U	BOLT; M6-1 X 20, HEX/FLANGE	1	1-2038
V	SUPER GLUE, 3G DRIP PROOF	1	409

TOOLS NEEDED:

Ratchet
Extension
10mm socket
flat blade screw driver
Phillips screw driver
3mm allen key

If you need any assistance please call 1-800-858-3333 to speak with a representative in our Customer Service Center before returning the product.

Read and understand these instructions **BEFORE** attempting to install this product. Failure to follow installation instructions and not using the provided hardware may damage the intake tube, throttle body and engine.

TO START:

1. Turn off the ignition and disconnect the negative battery cable.
NOTE: Disconnecting the negative battery cable erases pre-programmed electronic memories. Write down all memory settings before disconnecting the negative battery cable. Some radios will require an anti-theft code to be entered after the battery is reconnected. The anti-theft code is typically supplied with your owner's manual. In the event your vehicles anti-theft code cannot be recovered, contact an authorized dealership to obtain your vehicles anti-theft code.



2. Remove the two plastic retaining clips that secure the fresh air duct and then remove the fresh air duct from the vehicle.



3. Disconnect the mass air sensor electrical connection and unclip the wiring harness from the air filter housing.



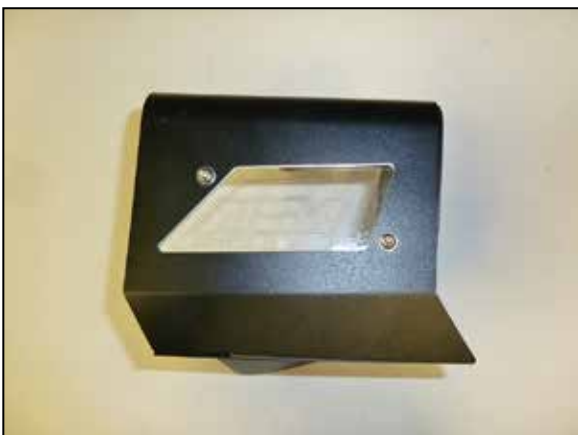
4. Loosen the hose clamp that secures the intake hose to the turbo inlet.



5. Remove the nut that secures the air filter housing to the inner fender bracket.



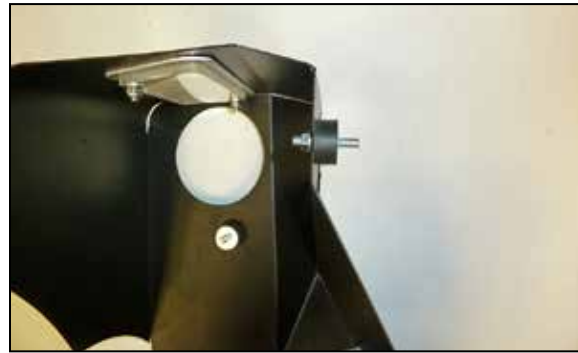
6. Remove the bolt that secures air filter housing to the frame rail and then remove the air filter assembly from the vehicle.



7. Install the AEM® window into the heat shield using the provided hardware and backing plate.



8. Install the provided rubber mounted stud onto the heat shield and secure with the provided hardware.



9. Install the heat shield lid onto the heat shield and secure with the provided hardware.



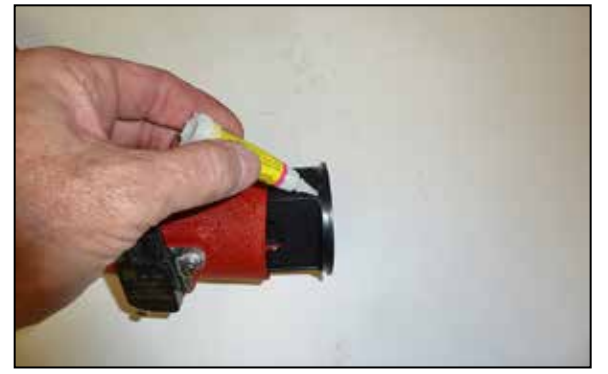
10. Cut the provided edge trim into sections of 13.5" long and 19.5" long.



11. Install the provided edge trim onto the AEM® heat shield as shown.



12. Remove the mass air sensor from factory housing and install it into the AEM® tube using the provided hardware.



13. Place three small drops of the provided glue next to the lip of the maf sleeve and then install the maf sleeve so that the blades are perpendicular to the maf as shown.



14. Install the intake tube through the heatshield and secure with the provided rubber mounted stud and hardware.



15. Install the AEM® air filter onto the intake tube and secure with the provided hose clamp.



16. Install the provided hump coupler (08185) onto the turbo inlet and secure with the provided hose clamp.



17. Install the intake assembly into position, be sure to connect the mass air sensor electrical connection. Insert the intake tube into the coupler at the turbo inlet tube. Adjust the assembly for best fit and then secure the tube with the provided hose clamp.



18. Secure the AEM® heat shield to the frame rail with the provided hardware.



19. Secure the heat shield to the front mounting bracket with the factory rubber mount and hardware provided.



20. Install the fresh air duct and secure with the factory hardware.

Reassemble Vehicle

Position the inlet pipes for the best fitment. Be sure that the pipes or any other components do not contact any part of the vehicle. Tighten the rubber mount, all bolts, and hose clamps. Check for proper hood clearance. Re-adjust pipes if necessary and re-tighten them. Inspect the engine bay for any loose tools and check that all fasteners that were moved or removed are properly tightened. Reconnect negative battery terminal and start engine. Let the vehicle idle for 3 minutes. Perform a final inspection before driving the vehicle.

Service and Maintenance

AEM Induction Systems requires cleaning the intake system's air filter element every 100,000 miles. When used in dusty or off-road environments, our filters will require cleaning more often. We recommend that you visually inspect your filter once every 25,000 miles to determine if the screen is still visible. When the screen is no longer visible some place on the filter element, it is time to clean it. To clean, purchase our Synthetic air filter cleaner, part number 99-0624 and follow the easy instructions. Use window cleaner to clean your powder coated AEM® intake tube.

NOTE: DO NOT USE aluminum polish on powder coated AEM® intake tubes.

NOT LEGAL FOR SALE OR USE ON ANY POLLUTION CONTROLLED MOTOR VEHICLE IN CALIFORNIA OR STATES ADOPTING CALIFORNIA EMISSION PROCEDURES.

See aemintakes.com for CARB status on each part for a specific vehicle

AEM Air Intake System Warranty Policy

AEM® warrants that its intake systems will last for the life of your vehicle. AEM will not honor this warranty due to mechanical damage (i.e. improper installation or fitment), damage from misuse, accidents or flying debris. AEM will not warrant its powder coating if the finish has been cleaned with a hydrocarbon-based solvent. The powder coating should only be cleaned with a mild soap and water solution. Proof of purchase of both the vehicle and AEM intake system is required for redemption of a warranty claim.

This warranty is limited to the repair or replacement of the AEM part. In no event shall this warranty exceed the original purchase price of the AEM part nor shall AEM be responsible for special, incidental or consequential damages or cost incurred due to the failure of this product. Warranty claims to AEM must be transportation prepaid and accompanied with dated proof of purchase. This warranty applies only to the original purchaser of product and is nontransferable. Improper use or installation, use for racing, accident, abuse, unauthorized repairs or alterations voids this warranty. AEM disclaims any liability for consequential damages due to breach of any written or implied warranty on all products manufactured by AEM. Warranty returns will only be accepted by AEM when accompanied by a valid Return Merchandise Authorization (RMA) number. Credit for defective products will be issued pending inspection. Product must be received by AEM within 30 days of the date RMA is issued.

If you have a warranty issue, please call (800) 992-3000 and our customer service department will assist you. A proof of purchase is required for all AEM warranty claims.