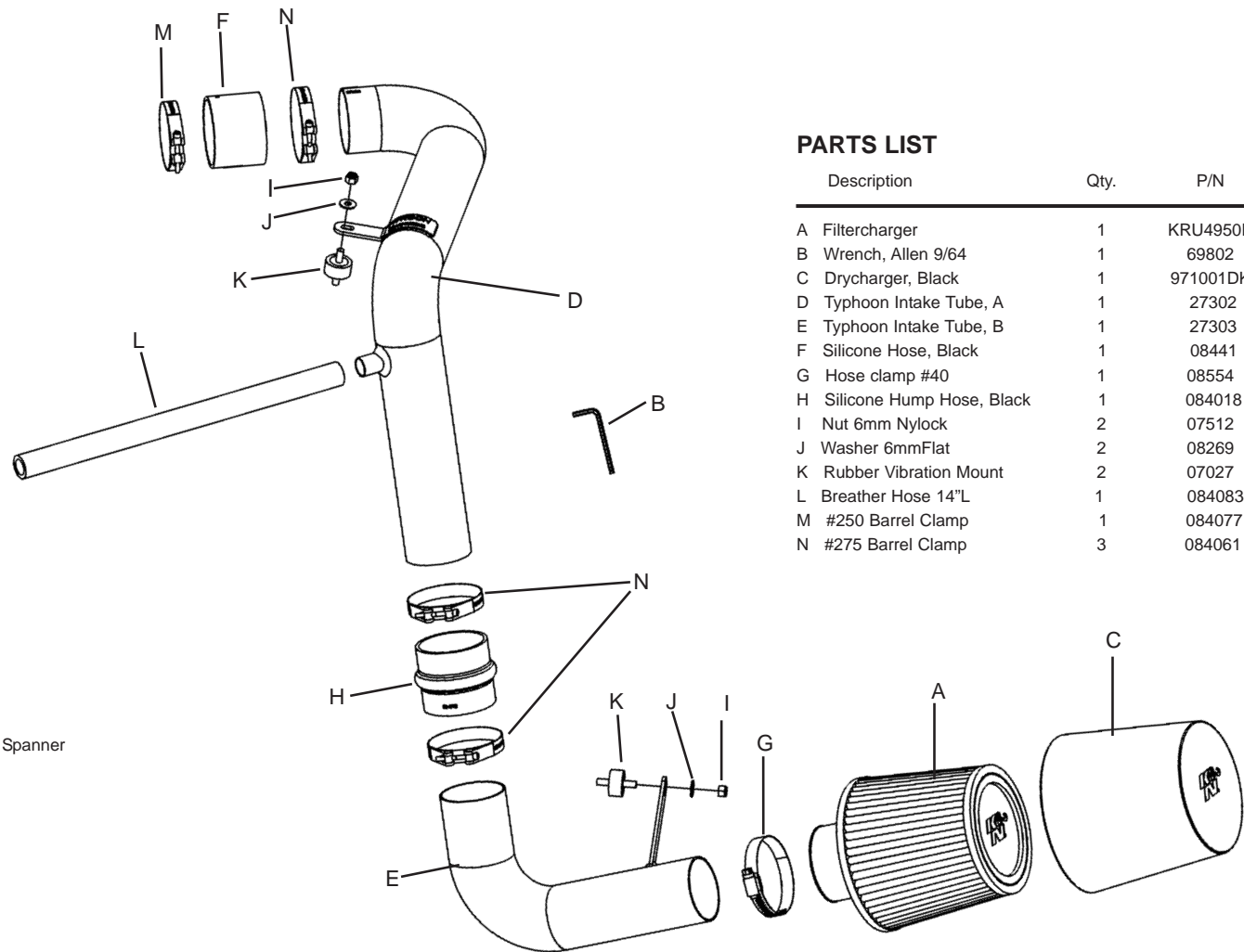


INSTALLATION INSTRUCTIONS

69-3301

Fiat
2001-2006, Stilo
1.6L L4 16v 103 PS



PARTS LIST

Description	Qty.	P/N
A Filtercharger	1	KRU4950E
B Wrench, Allen 9/64	1	69802
C Drycharger, Black	1	971001DK
D Typhoon Intake Tube, A	1	27302
E Typhoon Intake Tube, B	1	27303
F Silicone Hose, Black	1	08441
G Hose clamp #40	1	08554
H Silicone Hump Hose, Black	1	084018
I Nut 6mm Nylock	2	07512
J Washer 6mm Flat	2	08269
K Rubber Vibration Mount	2	07027
L Breather Hose 14"L	1	084083
M #250 Barrel Clamp	1	084077
N #275 Barrel Clamp	3	084061

Tools Needed:

Flat Blade Screwdriver
 Ratchet
 10mm Socket
 8mm Socket
 6mm Socket
 10 mm Combination Box and Open End Spanner
 Box Cutter
 Socket Extension
 Lifting Jack
 Pair of Axle Stands

TO START:

1. Turn the ignition OFF and disconnect the vehicle's negative battery cable.



2. Undo the 4 bolts & remove the engine cover.



3. Unclip and remove the breather hose from engine and intake hose as shown.



4. Unclip and remove the intake hose from the throttle body.

5. As per manufacturer's instruction, carefully raise the front of the vehicle.



6. Remove the under tray from the vehicle.
NOTE: if the under tray is not present on your car, K&N strongly suggests that you contact your car dealer to purchase one.



7. Remove the left mud guard from the vehicle.



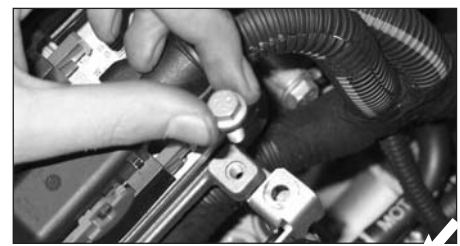
8. Unclip and remove the air box lid together with the intake hose.



9. Unbolt the air box mounting bolt (underneath the battery tray) and carefully remove the air box from the vehicle leaving the intake snorkel in place.



10. Fit the silicone hose to the throttle body using the #250 barrel clamp supplied. To tighten, use the Allen Head wrench supplied.



11. Unbolt and remove the bracket securing the two hose clamps from the ECU housing.



12. Fit the rubber vibration mount to the ECU housing.



13. Fit the K&N Typhoon intake A-tube into the silicone hose, using the #275 barrel clamp. Do not yet tighten the #275 barrel clamp.

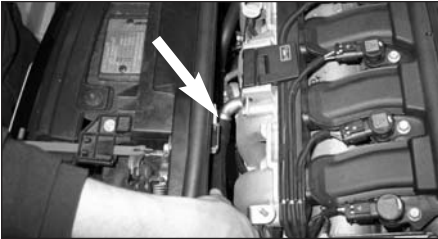


14. Mount the weld-on bracket of the A-tube to the rubber vibration mount using the nylock nut & washer supplied. Firmly tighten the nut.

See the other side for more instructions!



15. Tighten the #275 barrel clamp.



16. Fit the silicone breather hose onto the breather pipe on the oil filling pipe. For easier fitment, you may want to slightly grease the silicone hose and the pipe.



17. Fit the other end of the silicone breather hose onto the breather pipe on the A-tube. For easier fitment, you may want to slightly grease the silicone hose and the pipe.



18. Re-install the engine cover to the vehicle.



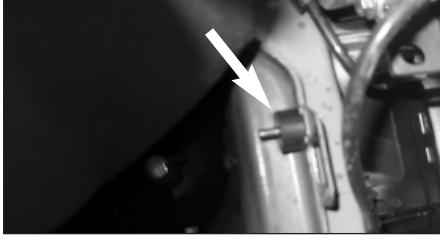
19. From the underside of the car, fit the silicone hump hose to the intake tube using the #275 barrel clamp supplied.



20. Fit the filter element onto the second intake tube using the #40 hose clamp supplied.



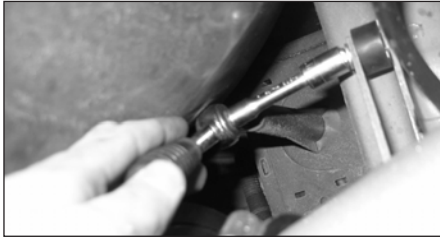
21. Fit the Drycharger over the filter element as shown. **NOTE:** The Drycharger's water repellent properties will last up to 2 years. See parts list to re-order Drycharger if necessary.



22. Fit the rubber mounting stud supplied to the threaded mud guard mounting point as shown.



23. Fit the B-tube assembly into the silicone hump hose using the #275 barrel clamp supplied. Do not yet fully tighten the barrel clamp.



24. Fit the weld-on bracket on the B-tube onto the rubber mounting stud using the flat metal washer and nylock nut supplied as shown. Don't fully tighten yet!



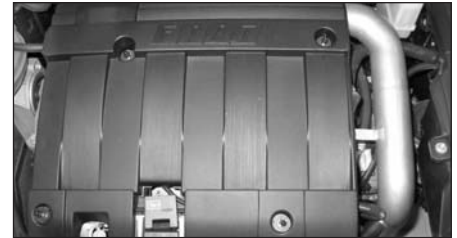
25. Align the B-tube assembly for best fit and clearance, then, tighten the #275 barrel clamp and nut securing the weld-on bracket.



26. With a box cutter, cut out a piece of the left mud guard (removed in step 7) of 9 by 7 inches (229 by 178 mm) as shown.



27. Re-install the left mud guard and the under tray to the car.



28. Reconnect the negative battery terminal.

29. Double check to make sure everything is tight and properly positioned before starting the vehicle.

30. It will be necessary for all Typhoons to be checked periodically for realignment, clearance and tightening of all connections. Failure to follow the above instructions or proper maintenance may void warranty.

ROAD TESTING:

1. Start the engine with the transmission in neutral or park, and the parking brake engaged. Listen for air leaks or odd noises. For air leaks secure hoses and connections. For odd noises, find cause and repair before proceeding. This kit will function identically to the factory system except for being louder and much more responsive.

2. Test drive the vehicle. Listen for odd noises or rattles and fix as necessary.

3. If road test is fine, you can now enjoy the added power and performance from your kit.

4. K&N suggests checking the Filtercharger element periodically for excessive dirt build-up. When the element becomes covered in dirt (or once a year), service it according to the instructions on the Recharger service kit available from your K&N dealer. 99-5000 or 99-5050

