



QUALITY... PLAIN & SIMPLE®

## Stainless Steel Carburetor Bracket & Stainless Springs Installation Instructions

### General Installation Notes:

Please read these instructions completely before beginning the installation. If you have any questions please call.

Before beginning the installation, disconnect the negative battery cable and use wheel chocks to block the vehicle's wheels. Do not attempt to install this product while the engine is running.

**The Lokar Stainless Steel Carburetor Bracket and Stainless Springs kit is designed to be used with a Lokar Throttle Cable.**

- Step 1:** Remove the carburetor base mounting bolt from the left rear corner of the carburetor, and position the Lokar Carburetor Bracket as shown in **Fig. 1**. Install the carburetor base mounting bolt only finger-tight.
- Step 2:** Position the Lokar Carburetor Bracket so that the bend that is labeled in **Fig. 1** is parallel to the carburetor base front to back.
- Step 3:** Using the included 5/64" Allen wrench, tighten the set screw until it touches the carburetor base. Then, lock the set screw in place with the jam nut.
- Step 4:** Tighten the carburetor base mounting bolt.
- Step 5:** If you are using a kickdown cable, install the tear drop between the kickdown connector and the carburetor throttle arm. Secure with a nylock nut (not supplied). Leave the nylock nut just loose enough so that the tear drop can pivot freely. Connect the springs to the Lokar Carburetor Bracket and the tear drop.

If you are not using a kickdown cable, the tear drop is not required. The front of the springs can be hooked directly into the carburetor throttle arm through the hole for the kickdown connector. If you prefer to use the tear drop anyway, you can attach it to the carburetor throttle arm using a 1/4" diameter bolt and nylock nut (not supplied) through the kickdown connector hole, and then hook the front of the springs into the tear drop. Leave the nylock nut just loose enough so that the tear drop can pivot freely.

# Stainless Steel Carburetor Bracket & Stainless Springs Installation Instructions

Building American Quality... With A Lifetime Warranty!®

TOLL FREE 1-877-469-7440 • tech@lokar.com • www.lokar.com

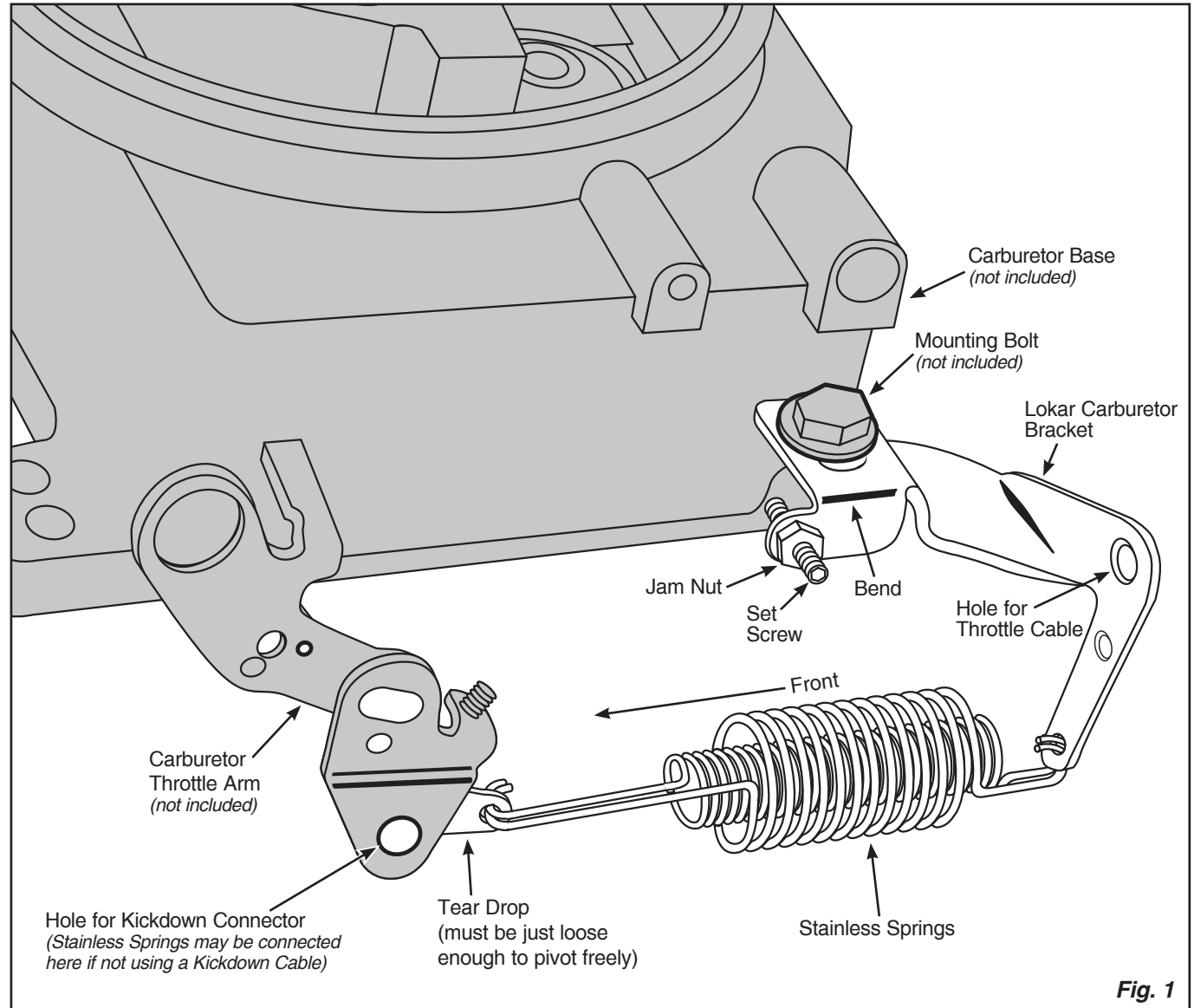


Fig. 1