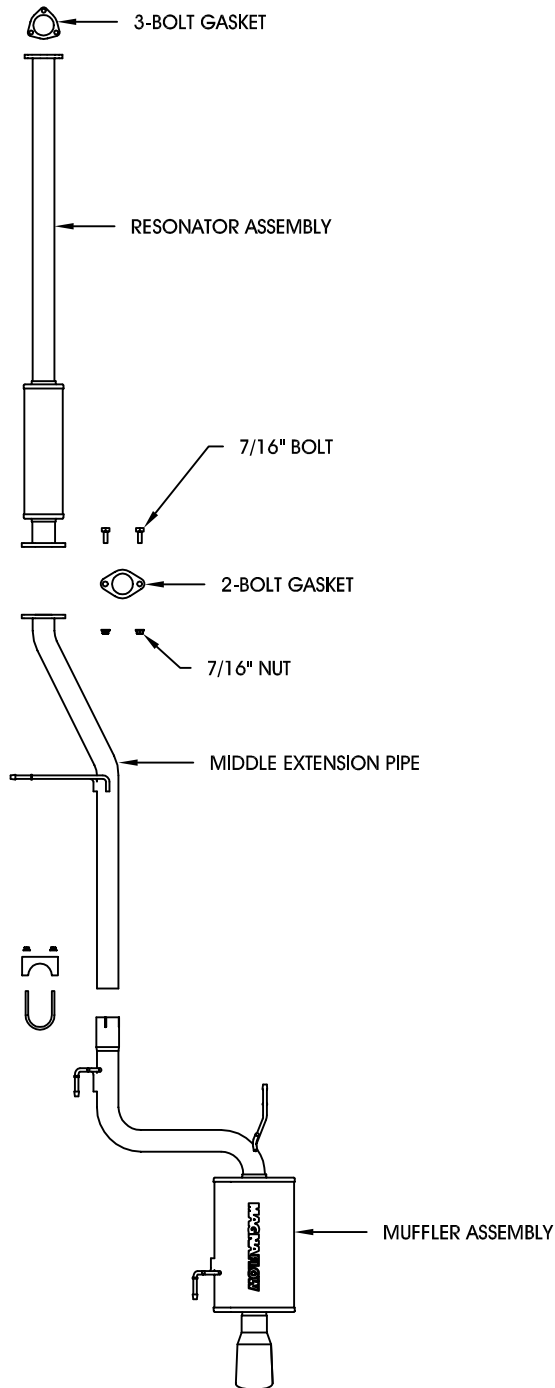


1998-2002 HONDA ACCORD - 4CYL 2.2L



Warning: When working on under or around any vehicle exercise caution. Please allow the vehicle's exhaust system to cool before removal, as exhaust system temperatures may cause severe burns. If working without a lift, always consult vehicle manual for correct lifting specifications. Always wear safety glasses and ensure safe work area. Serious injury or death could occur if safety measures are not followed.

Step 1: (Carefully read all instructions before installation) Unbolt the OEM muffler from the OEM extension pipe in front of the rear control arm. Remove the muffler from the OEM rubber insulators. Do not damage the OEM rubber insulators, as they will be re-used to mount the new system. Unbolt the front extension pipe from the catalytic converter, at the 3-bolt flange. Do not discard the OEM fasteners, as they will be re-used to mount the new resonator assembly.

Step 2: Install the new muffler assembly into the OEM rubber insulators. Loosely install the middle extension pipe by sliding the outlet end into the muffler extension and by fitting the welded hanger into the OEM rubber insulator. Install the resonator assembly using the supplied fasteners at the 2-bolt flange and the OEM fasteners at the 3-bolt flange. Leave all components and fasteners loose until final fit and placement is correct.

Step 3: Adjust the new system for overall aesthetics and clearance of frame & bodywork. (MAGNAFLOW recommends at least 1/2" of clearance between the exhaust tip and any body panels to avoid heat related bodywork damage or fire.)

Step 4: Once a final position has been chosen for the new system, evenly tighten all fasteners from front to rear. Inspect all fasteners after 25-50 miles of operation, and re-tighten if necessary.

*MAGNAFLOW Performance Exhaust recommends professional installation on all their products

Technical support: 1-800-959-9226 ext. 4500

MAGNAFLOW Performance Exhaust - 22961 Arroyo Vista - Rancho Santa Margarita, CA 92688