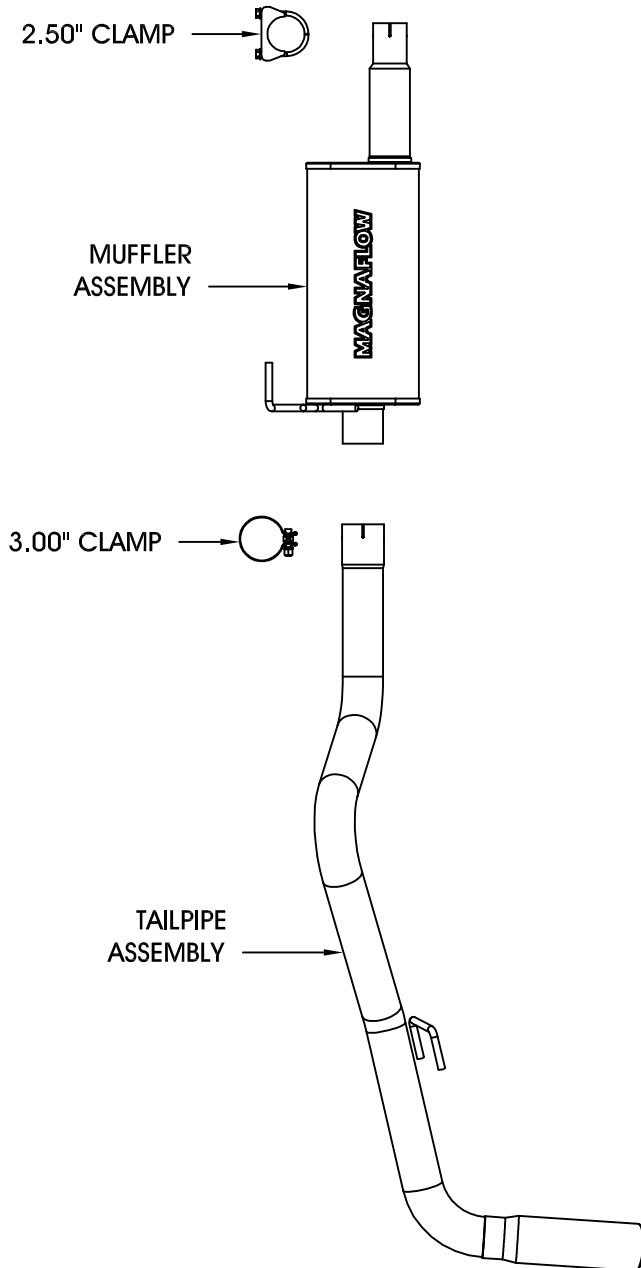


2005- NISSAN FRONTIER - V6 4.0L



Warning: When working on, under, or around any vehicle exercise caution. Please allow the vehicle's exhaust system to cool before removal, as exhaust system temperatures may cause severe burns. If working without a lift, always consult vehicle manual for correct lifting specifications. Always wear safety glasses and ensure a safe work area. Serious injury or death could occur if safety measures are not followed.

Step 1: (Carefully read all instructions before installation) Disconnect the vehicle's battery before removal of the OEM exhaust. This will allow the computer to reset itself with the new system, and prevent electrical accidents. To remove the OEM exhaust system, you will need to cut the pipe about 1" from the front face of the muffler. You can now loosen the clamp fitting the muffler to the tailpipe, disengage the welded hangers from the rubber insulators, and remove the system. Do not damage the OEM rubber insulators as they will be reused to mount the new system. Be sure to deburr the end of the cut pipe before installing the new muffler.

Step 2: Install the new muffler by fitting the welded hanger into the rubber insulator, and by fastening the muffler inlet to the OEM pipe using the supplied 2.50" U-clamp. Leave all clamps and fasteners loose for final adjustment of the complete system. Install the tailpipe in a similar fashion using the supplied 3" clamp.

Step 3: With all components mounted loosely, adjust the system for overall aesthetics and clearance of frame & bodywork. (MAGNAFLOW recommends at least 1/2" of clearance between the exhaust system and any body panels to prevent heat-related body damage or fire.)

Step 4: Once a final position has been chosen for the new system, evenly tighten all fasteners from front to rear. The supplied band clamp must be VERY tight to properly align the pipes and prevent leaks (Approximately 65ft-lbs). The U-clamp only needs to be tightened to about 30-40ft-lbs. Inspect all fasteners after 25-50 miles of operation and retighten if necessary.

*MAGNAFLOW Performance Exhaust recommends professional installation on all their products

Technical support: 1-800-959-9226 ext. 4500

MAGNAFLOW Performance Exhaust - 22961 Arroyo Vista - Rancho Santa Margarita, CA 92688