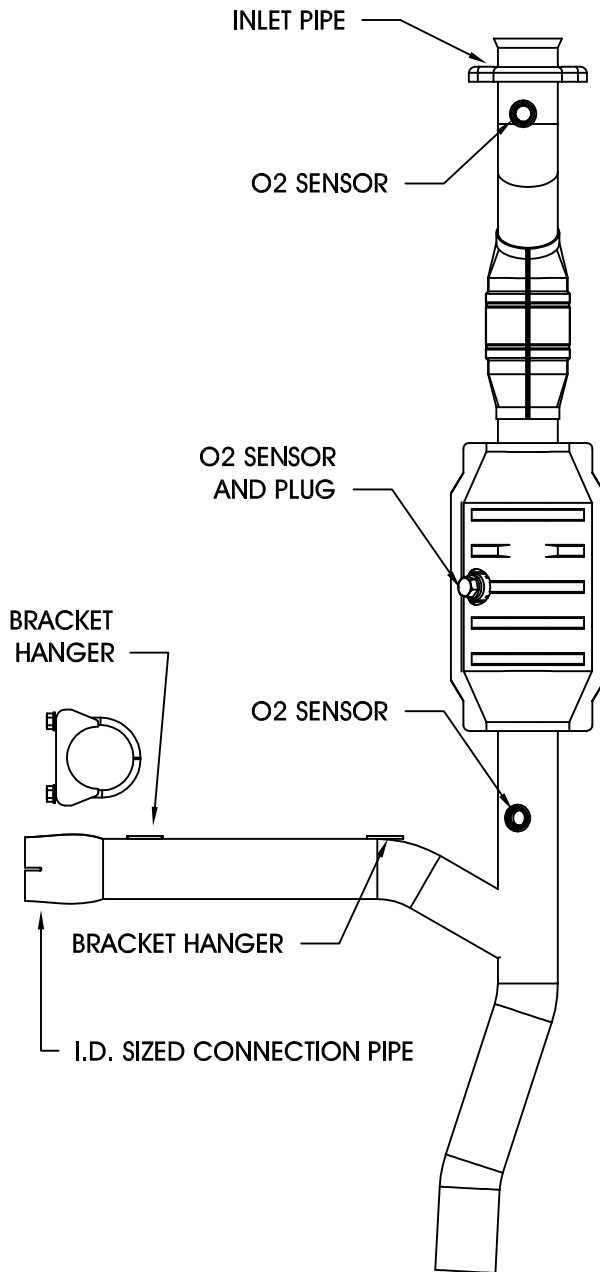


CONV DF '97-'98 FORD F-150 PASSENGER SIDE



**Warning:** When working on under or around any vehicle exercise caution. Please allow the vehicle's exhaust system to cool before removal, as exhaust system temperatures may cause severe burns. If working without a lift, always consult vehicle manual for correct lifting specifications. Always wear safety glasses and ensure safe work area. Serious injury or death could occur if safety measures are not followed.

**Step 1:** (Carefully read all instructions before installation) Disconnect the vehicle's battery before removal of the exhaust system. This will reset the computer and prevent electrical accidents. Remove the muffler and tailpipe assemblies, taking care not to damage the OEM rubber insulators. Support the transmission using a transmission jack or jack stands, then remove the transmission cross-member. Remove all clamps and fasteners holding the catalytic converter assembly in place (side pipe, manifold connection, and hanger brackets). Disconnect the O2 sensors before completely removing the converter assembly from the vehicle, taking care not to damage them. (Removal of the transmission dip stick may aid in the removal of the fasteners located on the exhaust manifold).

**Step 2:** Install the new Passenger-side converter assembly by fitting the side-pipe over the Driver-side converter pipe, and fasten it using the supplied 2.50" clamp. Leave all clamps and fasteners loose for final adjustment of the complete system. Reinstall the O2 sensors and fasten the converter inlet to the manifold using the OEM fasteners. You can now reinstall the rest of the exhaust system, and the transmission cross-member, using the proper torque ratings specified by the manufacturer.

**Step 3:** With all components mounted loosely, adjust the system for overall aesthetics and clearance of frame & bodywork. (MAGNAFLOW recommends at least 1/2" of clearance between the exhaust system and any body panels to prevent heat-related body damage or fire.)

**Step 4:** Once a final position has been chosen for the new system, evenly tighten all fasteners from front to rear. Inspect all fasteners after 25-50 miles of operation and retighten if necessary.

\*MAGNAFLOW Performance Exhaust recommends professional installation on all their products

Technical support: 1-800-959-9226 ext. 4500