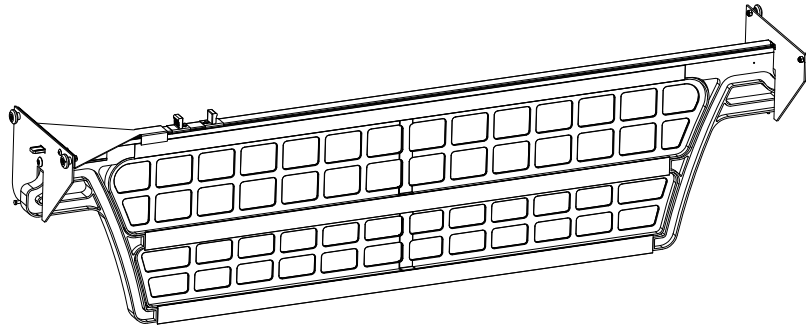


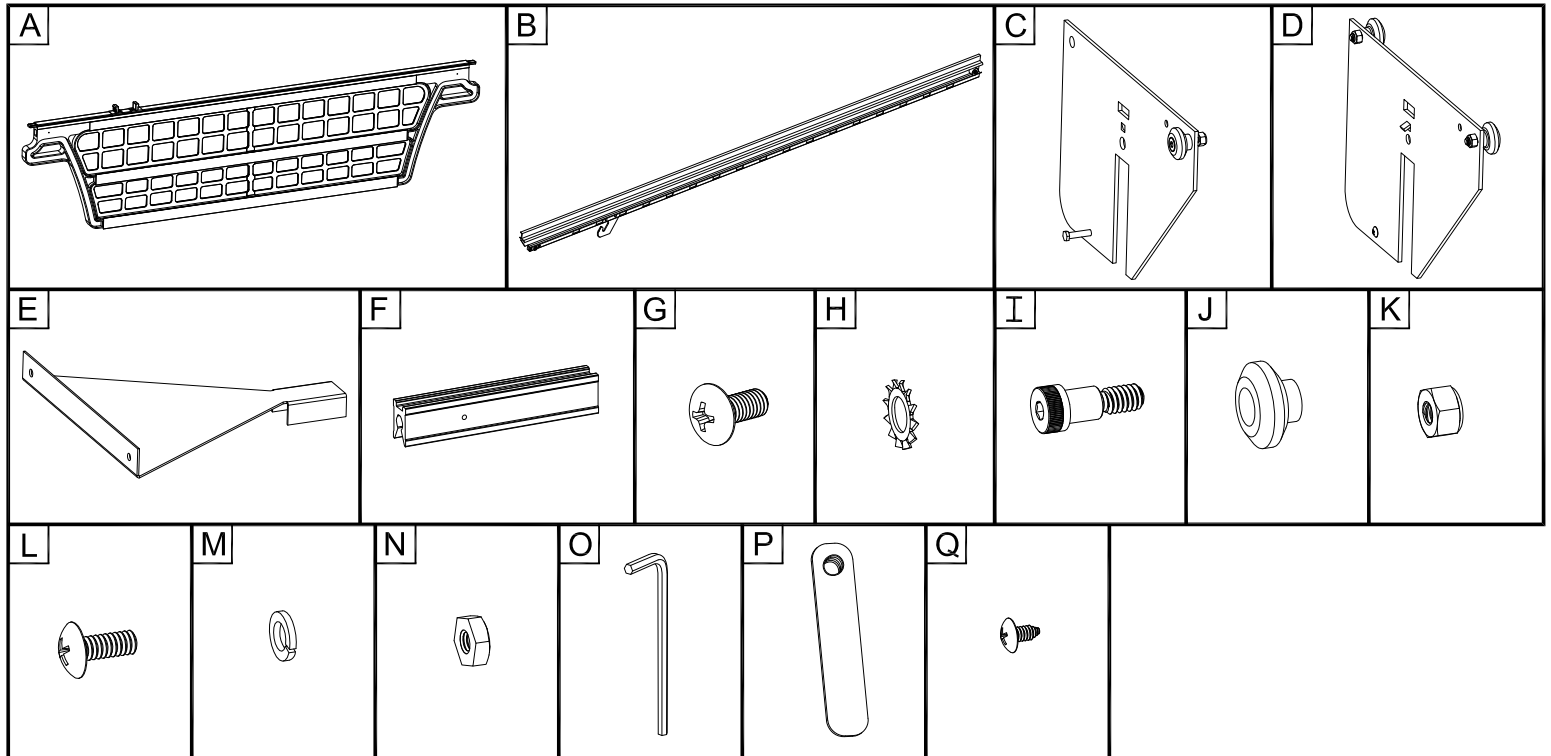
# CARGO MANAGER™

## Installation Guide

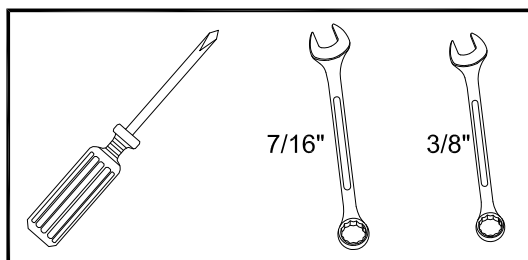


### Parts List

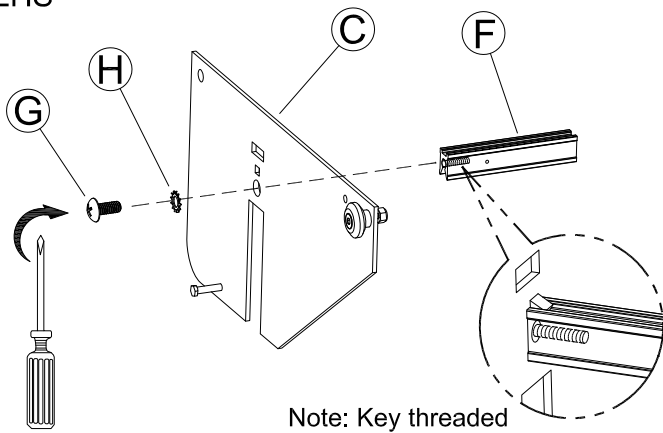
Item	Part Name	Qty.	Item	Part Name	Qty.	Item	Part Name	Qty.
A	Cargo Manager Gate	1	G	5/16-18 x 3/4" Truss Head Screw	2	M	#10 Lock Washer	1
B	Cargo Manager Track	2	H	Star Washer	2	N	#10-24 Nut	1
C	Left side Tram Plate	1	I	Shoulder Bolt	1	O	3/16" Allen Wrench	1
D	Right side Tram Plate	1	J	Delrin Wheel	1	P	Cargo Nut	8
E	Gusset Bracket	1	K	1/4-20 Lock Nut	1	Q	#6 x 3/8" Truss Head	1
F	Tram Plate Stem	2	L	10-24 x 1/2" Truss Head Screw	9			



### Tools Needed



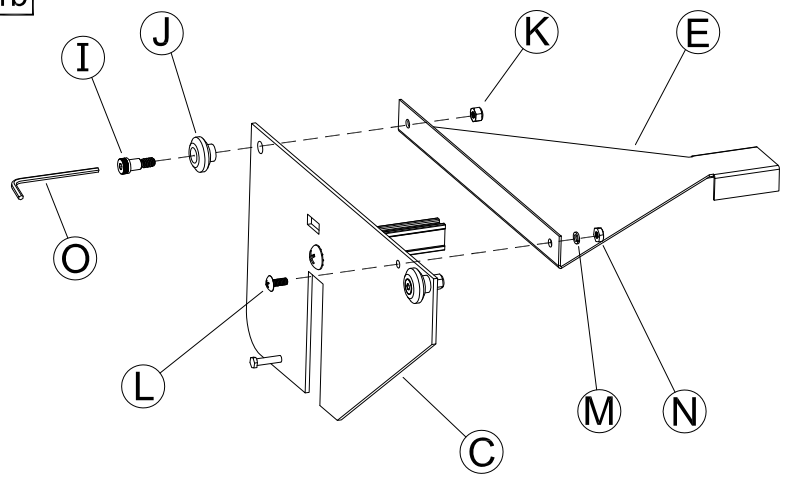
1a LHS



Note: Key threaded end of Stem onto tab.

Attach threaded end of Stem (F) to Left side Tram Plate (C).

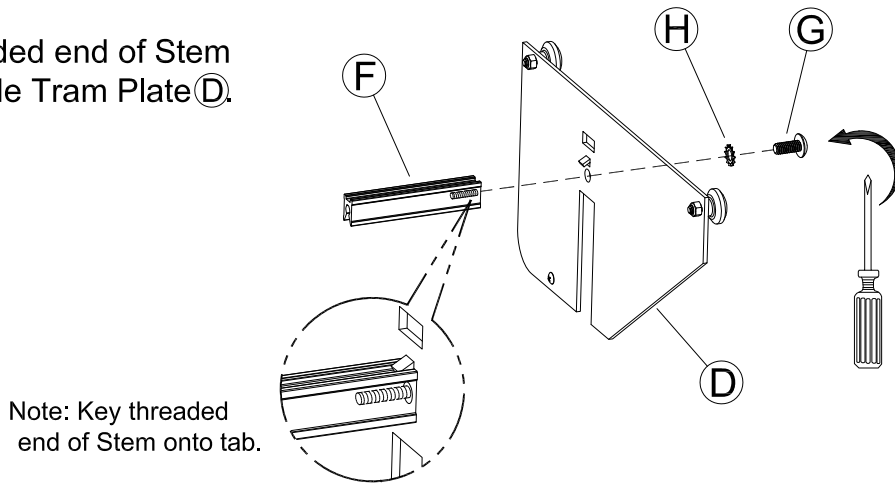
1b



Attach Gusset Bracket (E) to Left side Tram Plate (C).

2 RHS

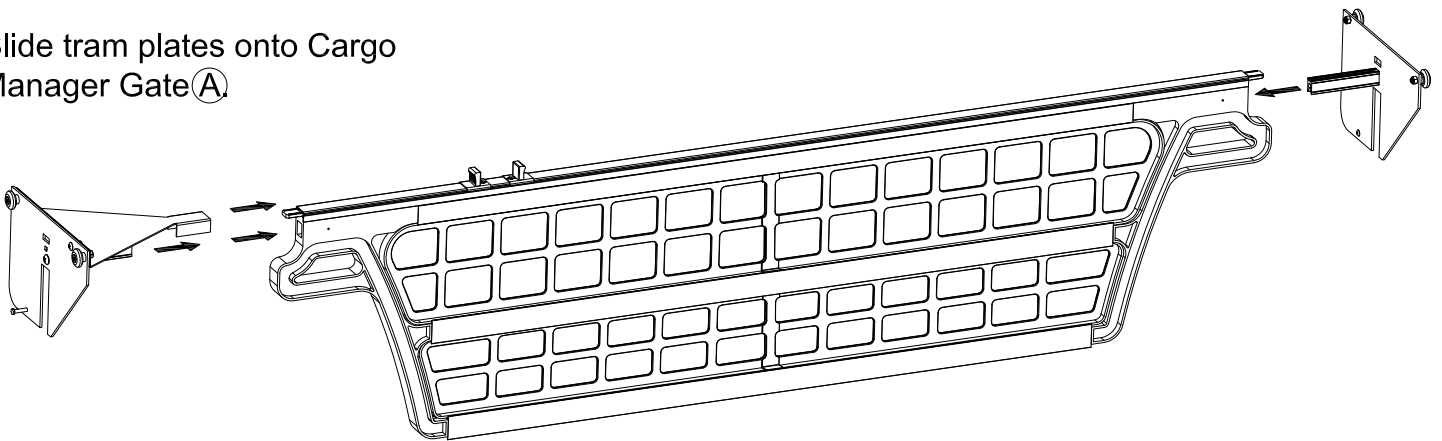
Attach threaded end of Stem (F) to Right side Tram Plate (D).



Note: Key threaded end of Stem onto tab.

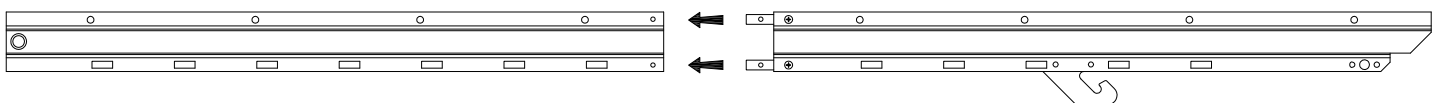
3 LHS = RHS

Slide tram plates onto Cargo Manager Gate (A).



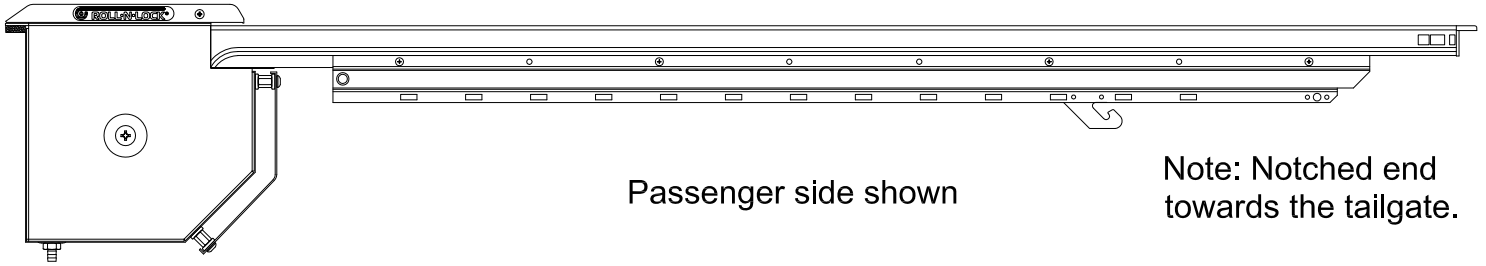
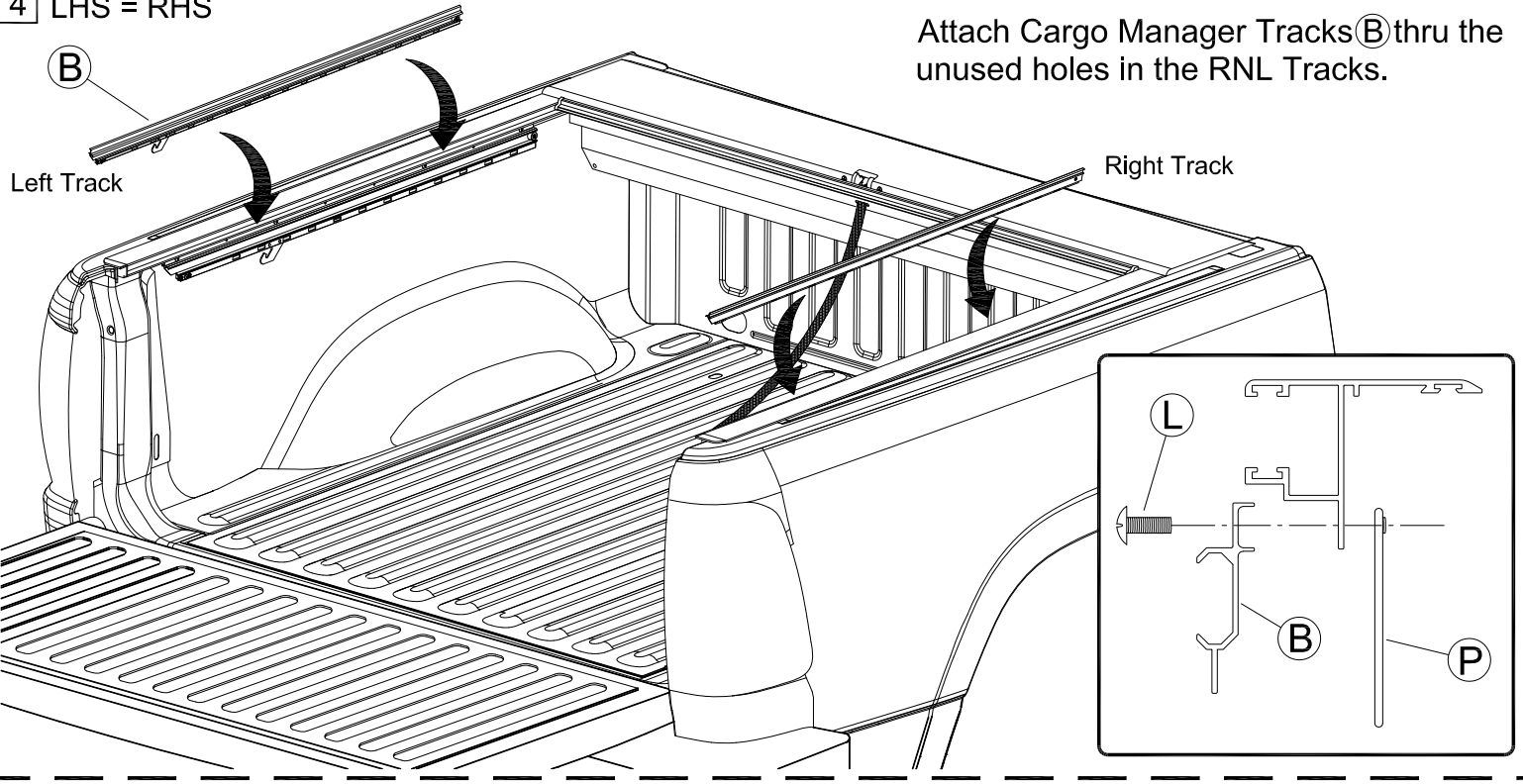
LHS = RHS

Long bed tracks are shipped apart and must be joined prior to installation.



4 LHS = RHS

Attach Cargo Manager Tracks (B) thru the unused holes in the RNL Tracks.

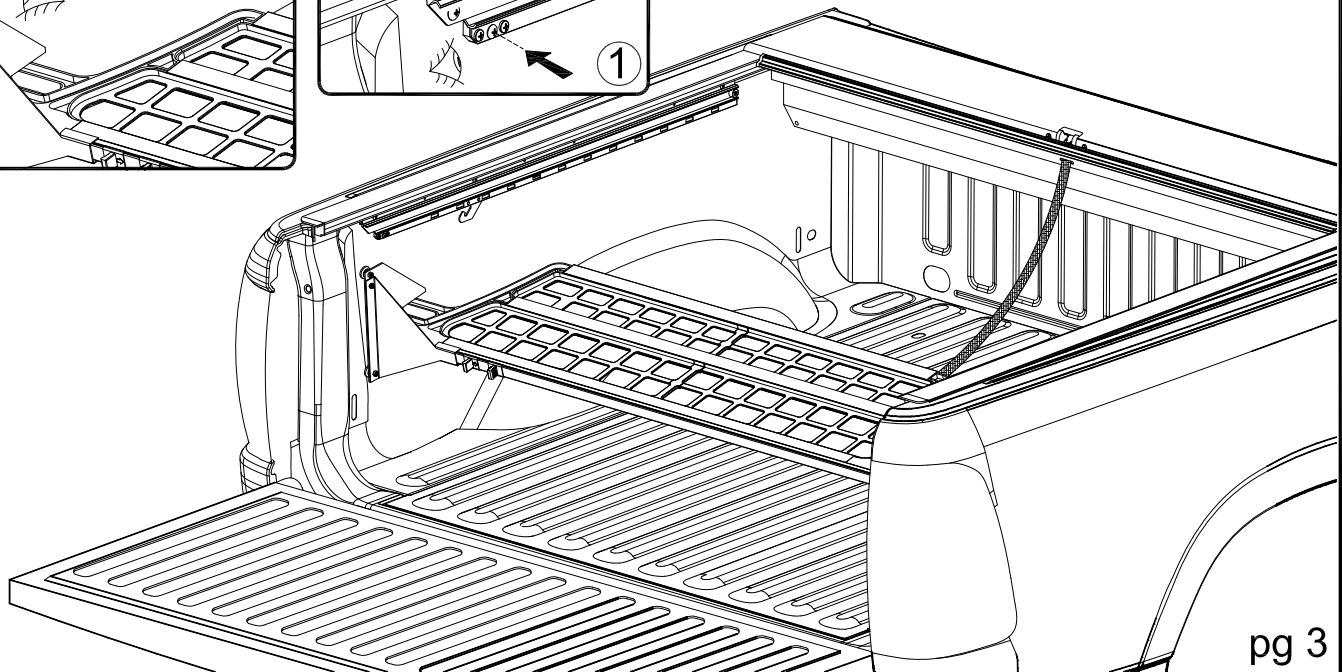
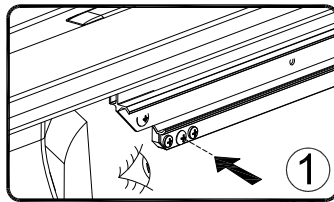
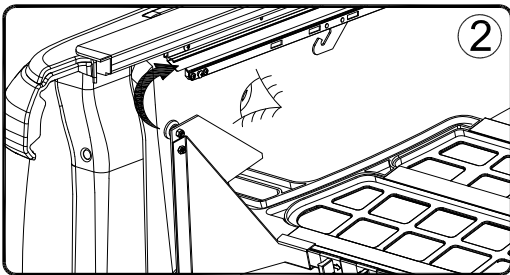


Passenger side shown

Note: Notched end towards the tailgate.

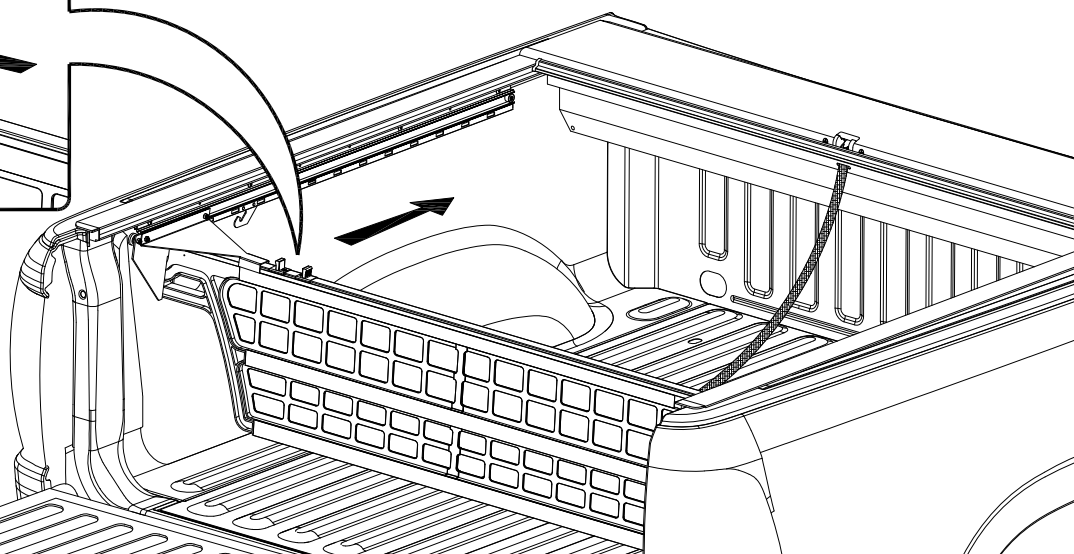
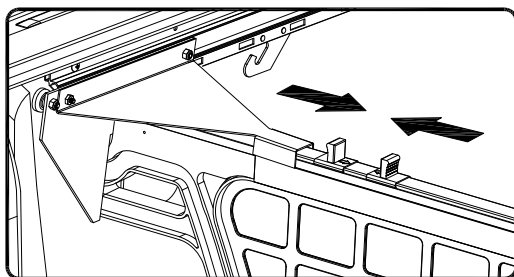
5 LHS = RHS

1. Push the track stop pins outward.
2. Maneuver the assembled Cargo Manager around the back truck bed posts, rotate the Cargo Manager and insert the lead wheel on each side into the tracks.

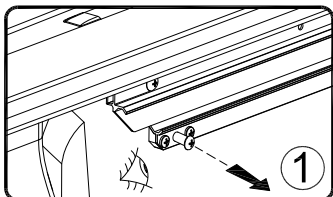
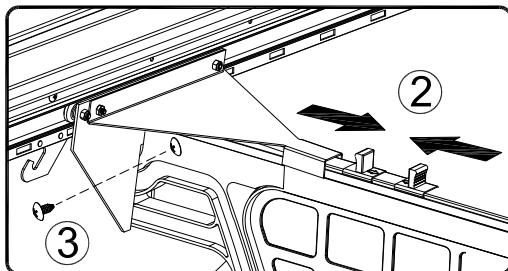


6

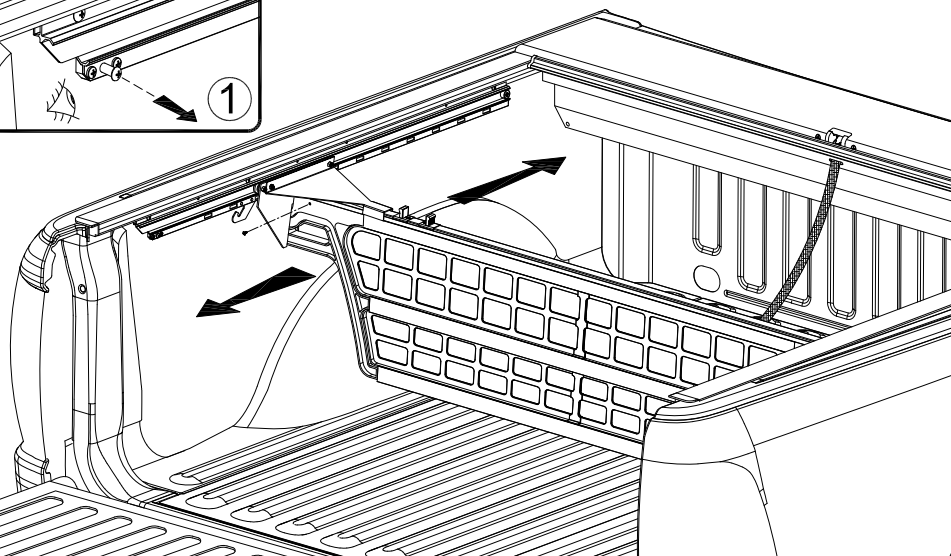
With the lead wheels in place, squeeze the levers and rotate the Cargo Manager level and key the back wheels into the tracks.



7 LHS = RHS



1. Press the track stop pins inward to prevent the wheels from leaving the track.
2. Squeeze the levers to operate the Cargo Manager back and forth, release at desired location.
3. Optional: Screw  $\textcircled{Q}$  tram plate to stem.



8 LHS = RHS If desired push track stop pins in, slide Cargo Manager back so only the back wheels are out of the track. Rotate the Cargo Manager and key the stay pins onto the track hooks.

