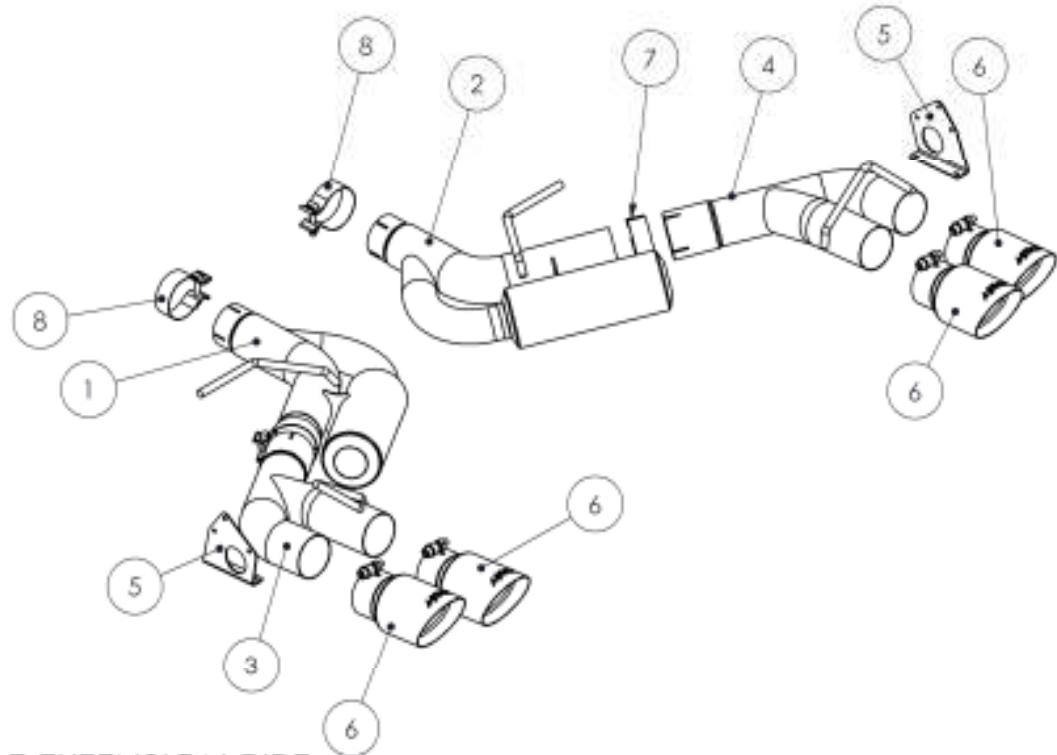


S7036

2016 UP CAMARO SS AXLE BACK

MBRP
INC.
PERFORMANCE EXHAUST



1. DRIVER-SIDE EXTENSION PIPE
2. PASSENGER-SIDE EXTENSION PIPE
3. DRIVER-SIDE TAILPIPE
4. PASSENGER-SIDE TAILPIPE
5. ACTUATOR BRACKET [2 PCS]
6. TIP [4PCS]
7. 3" CLAMP [2 PCS]
8. 2.75" CLAMP [2 PCS]

PLEASE READ BEFORE STARTING INSTALLATION

While MBRP Inc. has made every effort to ensure that all components of this system are of superior quality and properly packaged, it is the installer's responsibility to ensure the following before removal of the factory exhaust:

- that ALL components shown above are present.
- that ALL mating components fit together.
- that there are no damaged components.
- that the system you have purchased is appropriate for your vehicle year, model and configuration.
- that the system will not interfere with any modifications previously installed or planned.
- that you have read and understand these instructions.

If you have any questions or are uncertain about any aspect of the installation of this system to your vehicle please contact your dealer before commencing installation.

Removal of Stock System

Note; Installation requires cutting the OEM Exhaust



Figure 1



Figure 2

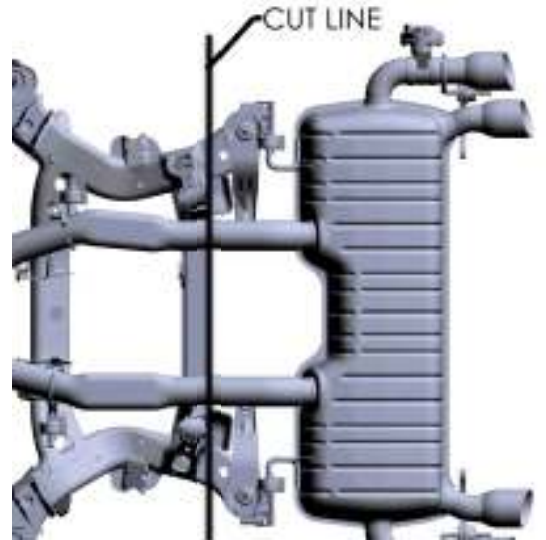


Figure 3.

1. Apply a penetrating lubricant liberally to all exhaust fasteners, hangers and rubber insulators.

2. Disconnect the wiring from the exhaust actuators located on both the driver and passenger side of the OEM exhaust.

Refer to Figure 1.

3. Using a Sawsall or similar, cut the OEM pipes so they are flush with the **REAR** vertical surface on the rear suspension crossmember.

Refer to Figures 2 and 3.

4. Remove the nuts from the rear muffler hangers. With the help of an assistant, remove the front muffler hangers and lower the OEM muffler assembly. Retain the brackets and hardware as these will be reused.

Refer to Figure 4.

5. Unbolt and remove the Actuators. Retain the hardware as it will be reused.

Refer to Figure 5



Figure 4



Figure 5



Figure 6



Figure 7



Figure 8

Installation of MBRP Inc. Performance Exhaust

1. Install the Actuators onto the supplied **Actuator Brackets** using the previously removed hardware.

Refer to Figure 6.

2. Remove the 2 fasteners securing the heat shield to the rear fascia and install the **Actuator Bracket** between them. Reinstall the fasteners and connect the wiring. Repeat on the opposite side.

Refer to Figure 7.

3. Install the **Driver-Side Extension Pipe** by first installing a **2.75" Clamp** over the inlet before installing it onto the OEM pipe. Install the pipe with approximately 1.5" of overlap. Leave it angled down slightly to help with the rest of the installation.

Refer to Figure 8.



Figure 9

4. Install the OEM rear muffler hanger onto the **Driver-Side Tailpipe** as shown. Install a **3" Clamp** onto the inlet. **Refer to Figure 9.**



Figure 10

5. Install the **Driver-Side Tailpipe** onto the **Driver-Side Extension Pipe**. Once fully seated, rotate both assemblies up into position before installing the rear muffler hanger and securing with the previously removed nuts. **Refer to Figures 10, 11, and 12.**

6. Reinstall the front muffler hanger onto the **Driver-Side Extension Pipe**.



Figure 11

7. Repeat steps 3-6 for the passenger-side components.

8. Install the **Tips** and align the system to center them in the rear fascia. Tighten all clamps and inspect for proper clearance between any wiring and hoses. **Refer to Figure 13.**



Figure 12

Congratulations! You are ready to begin experiencing the improved performance and driving pleasure of your MBRP Inc. performance exhaust system. We know you will enjoy your purchase.

