

# 2008–2010 FORD 6.4L POWERSTROKE BAFFLED OIL CATCH CAN KIT PARTS LIST & INSTALLATION GUIDE



## PARTS INCLUDED

- 1PC Application-Specific Mounting Bracket
- 1PC Black, Anodized High-Flow Catch Can
- 1PC CNC-Machined Aluminum Oil Fill Neck
- 1PC Mishimoto Oil Cap
- 2PC Direct-Fit Catch Can Hoses
- 3PC CNC-Machined Aluminum Barbed Fittings
- 4PC High-Quality Worm Gear Clamps
- 1PC Baffle w/ Polyurethane Filter
- 1PC 3/8" NPT Plug
- 1PC Large O-Ring
- 1PC Mounting Hardware Pack

## TOOLS NEEDED

- 7mm Socket
- 8mm Socket
- 13mm Socket
- Adjustable Wrench
- 4mm Allen Key
- 1/4" Drive Ratchet
- 1/4" Drive Extension
- Pliers

**INSTALL TIME** 1 Hour

**INSTALL DIFFICULTY**

## DISCLAIMER

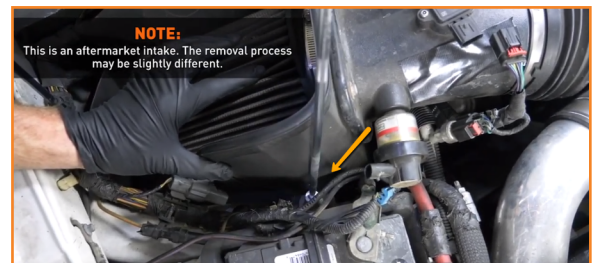
- Allow vehicle to cool completely prior to attempting installation.
- Mishimoto is not responsible for any vehicle damage or personal injury due to installation errors, misuse, or removal of Mishimoto products.
- Mishimoto suggests that a trained professional install all Mishimoto products.

## INSTALL PROCEDURE

1. Disconnect the electrical connectors on the intake. For the first one, lift the red tab and then depress the black tab at the center. For the second connector, lift the tab at the center.



2. Remove the bolts that secure the airbox. (2x 13mm bolts)



3. Loosen the clamp where the intake tube meets the airbox and then remove the airbox. (1x worm gear clamp)
4. Separate the oil drain hose (Part #8C3X-6A664-B) connected to the oil fill. Once the hose is free, remove the bolts that secure the oil fill. (1x spring clamp, 4x 8mm bolts)



CONTINUED ON FOLLOWING PAGE

01

# 2008-2010 FORD 6.4L POWERSTROKE BAFFLED OIL CATCH CAN KIT INSTALLATION GUIDE



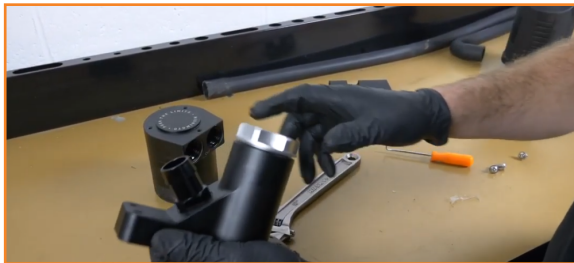
5. Loosen the clamps where the stock PCV hose meets the oil fill and intake. With the clamps loosened, remove the PCV hose and oil fill. (2x worm gear clamp)



6. Transfer Part #8C3Z-6721-A to the Mishimoto oil fill.



7. Attach the fitting and oil fill cap to the Mishimoto oil fill. Tighten the fitting with an adjustable wrench.

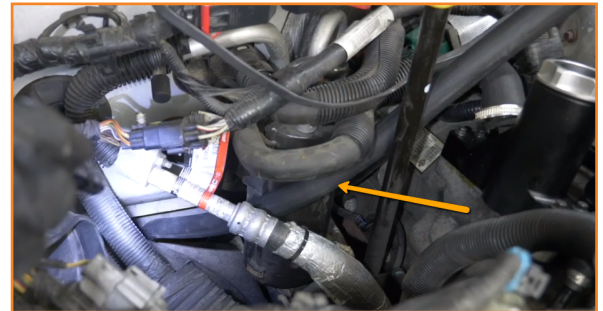


8. Install the oil fill to the vehicle and attach Part #8C3Z-6A664-B to the port on the side. (4x 8mm bolts, 1x spring clamp)
9. Thread the fittings into the catch can. Tighten them down using an adjustable wrench.
10. Attach the bracket to the catch can. (3x 4mm Allen bolts)

11. Feed the catch can hose down past the oil fill and through the engine bay near the wheel well.



12. Attach the upper end of the hose to the installed oil fill. (1x worm gear clamp)
13. Feed the straight hose behind the oil dipstick and through to the same location as the previous hose.



14. Attach the upper end of the straight hose to the intake. (1x worm gear clamp)
15. Remove the nut and bolt on the ground strap. Keep track of where the strap is located. (1x 13mm nut, 1x 13mm bolt)

CONTINUED ON FOLLOWING PAGE

# 02

# 2008-2010 FORD 6.4L POWERSTROKE BAFFLED OIL CATCH CAN KIT INSTALLATION GUIDE

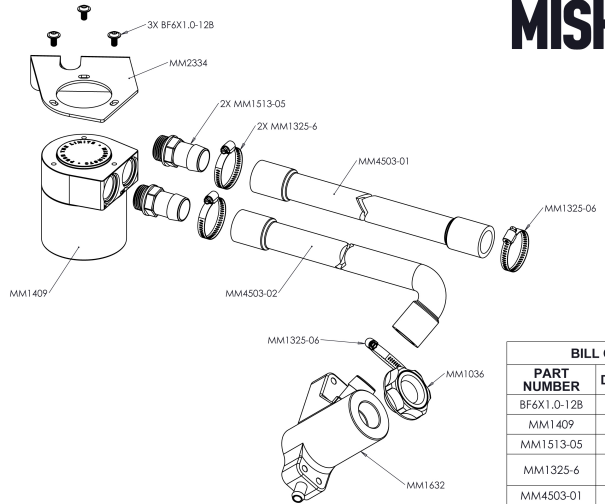


16. Install the bracket and catch can where you just removed the bolt and nut. Make sure to replace the ground strap over the bracket.



17. Attach the hose from the intake to the outlet port on the catch can. (1x worm gear clamp)
18. Attach the hose from the oil fill neck to the inlet port on the catch can. (1x worm gear clamp)
19. Reinstall the intake airbox and filter and secure it with the original hardware. (1x worm gear clamp, 2x 13mm bolts)
20. Reconnect the electrical connectors to the intake.

**Congratulations! You have finished installing the Mishimoto 2008-2010 Ford 6.4L Powerstroke Baffled Oil Catch Can Kit.**



## MISHIMOTO

BILL OF MATERIALS		
PART NUMBER	DESCRIPTION	QUANTITY
BF6X1.0-12B	BOLT	3
MM1409	CATCH CAN	1
MM1513-05	FITTING	2
MM1325-6	WORM GEAR CLAMP	4
MM4503-01	HOSE	1
MM4503-02	HOSE	1
MM1632	ADAPTER	1
MM1036	CAP	1
MM2334	BRACKET	1