

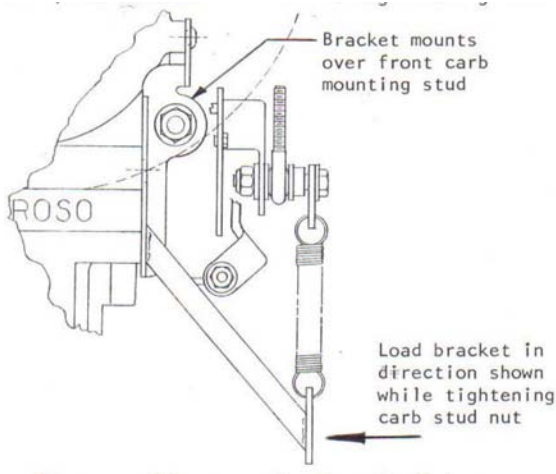


THROTTLE RETURN SPRING KIT

Holley 4500
P/N 64923

PARTS LIST

- | | |
|-----------------------------|---------------------------|
| 2 – Flat Washer | 1 – 1/4 - 28 x 1 1/4 HHCS |
| 2 – Extension Springs 2.5" | 1 – 10-32 x 1/4 BHCS |
| 2 – Extension Springs 2.75" | 1 – Carb. Spring Bracket |
| 1 – 1/4 - 28 Locknut | 1 – Mounting Bracket |
| 1 – Linkage Bushing .230 | 1 – Linkage Bushing .100 |



After assembly, move the throttle linkage through its full movement to insure the pump operating lever does not interfere or bind with the throttle return spring rod.

For Technical Assistance, Call Moroso's Tech Line at (203) 458-0542, 458-0546 8:30am – 5:00pm Eastern Time

MOROSO PERFORMANCE PRODUCTS, INC
80 CARTER DR • GUILFORD, CT 06437
Phone: (203) 453-6571 • Fax: (203) 453-6906

VisitUsAtwww.moroso.com

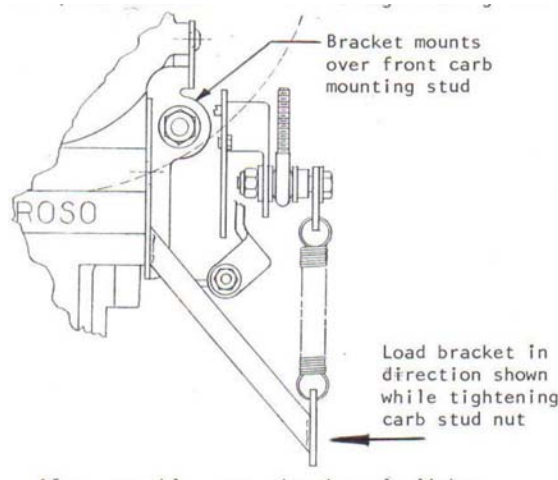


THROTTLE RETURN SPRING KIT

Holley 4500
P/N 64923

PARTS LIST

- | | |
|-----------------------------|---------------------------|
| 2 – Flat Washer | 1 – 1/4 - 28 x 1 1/4 HHCS |
| 2 – Extension Springs 2.5" | 1 – 10-32 x 1/4 BHCS |
| 2 – Extension Springs 2.75" | 1 – Carb. Spring Bracket |
| 1 – 1/4 - 28 Locknut | 1 – Mounting Bracket |
| 1 – Linkage Bushing .230 | 1 – Linkage Bushing .100 |



After assembly, move the throttle linkage through its full movement to insure the pump operating lever does not interfere or bind with the throttle return spring rod.

For Technical Assistance, Call Moroso's Tech Line at (203) 458-0542, 458-0546 8:30am – 5:00pm Eastern Time

MOROSO PERFORMANCE PRODUCTS, INC
80 CARTER DR • GUILFORD, CT 06437
Phone: (203) 453-6571 • Fax: (203) 453-6906

VisitUsAtwww.moroso.com

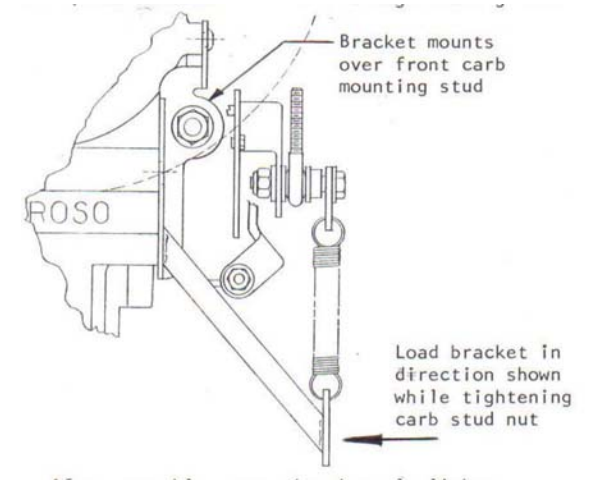


THROTTLE RETURN SPRING KIT

Holley 4500
P/N 64923

PARTS LIST

- | | |
|-----------------------------|---------------------------|
| 2 – Flat Washer | 1 – 1/4 - 28 x 1 1/4 HHCS |
| 2 – Extension Springs 2.5" | 1 – 10-32 x 1/4 BHCS |
| 2 – Extension Springs 2.75" | 1 – Carb. Spring Bracket |
| 1 – 1/4 - 28 Locknut | 1 – Mounting Bracket |
| 1 – Linkage Bushing .230 | 1 – Linkage Bushing .100 |



After assembly, move the throttle linkage through its full movement to insure the pump operating lever does not interfere or bind with the throttle return spring rod.

For Technical Assistance, Call Moroso's Tech Line at (203) 458-0542, 458-0546 8:30am – 5:00pm Eastern Time

MOROSO PERFORMANCE PRODUCTS, INC
80 CARTER DR • GUILFORD, CT 06437
Phone: (203) 453-6571 • Fax: (203) 453-6906

VisitUsAtwww.moroso.com