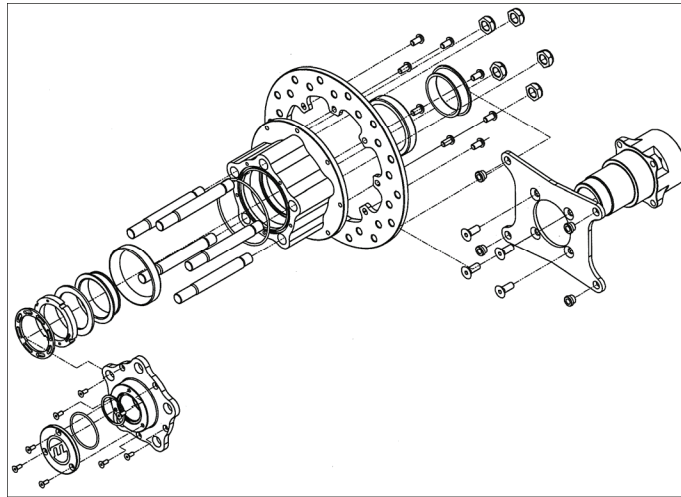


Moser M9 Full Floater Performance Housing Assembly Instructions



FF4050 / FF40475

Brake Calipers part # 120-6818 are optional and not supplied with this kit

** Be sure to retain all packaging until after installation is complete**

**No parts may be returned if they are not in original packaging
or have been modified or damaged**

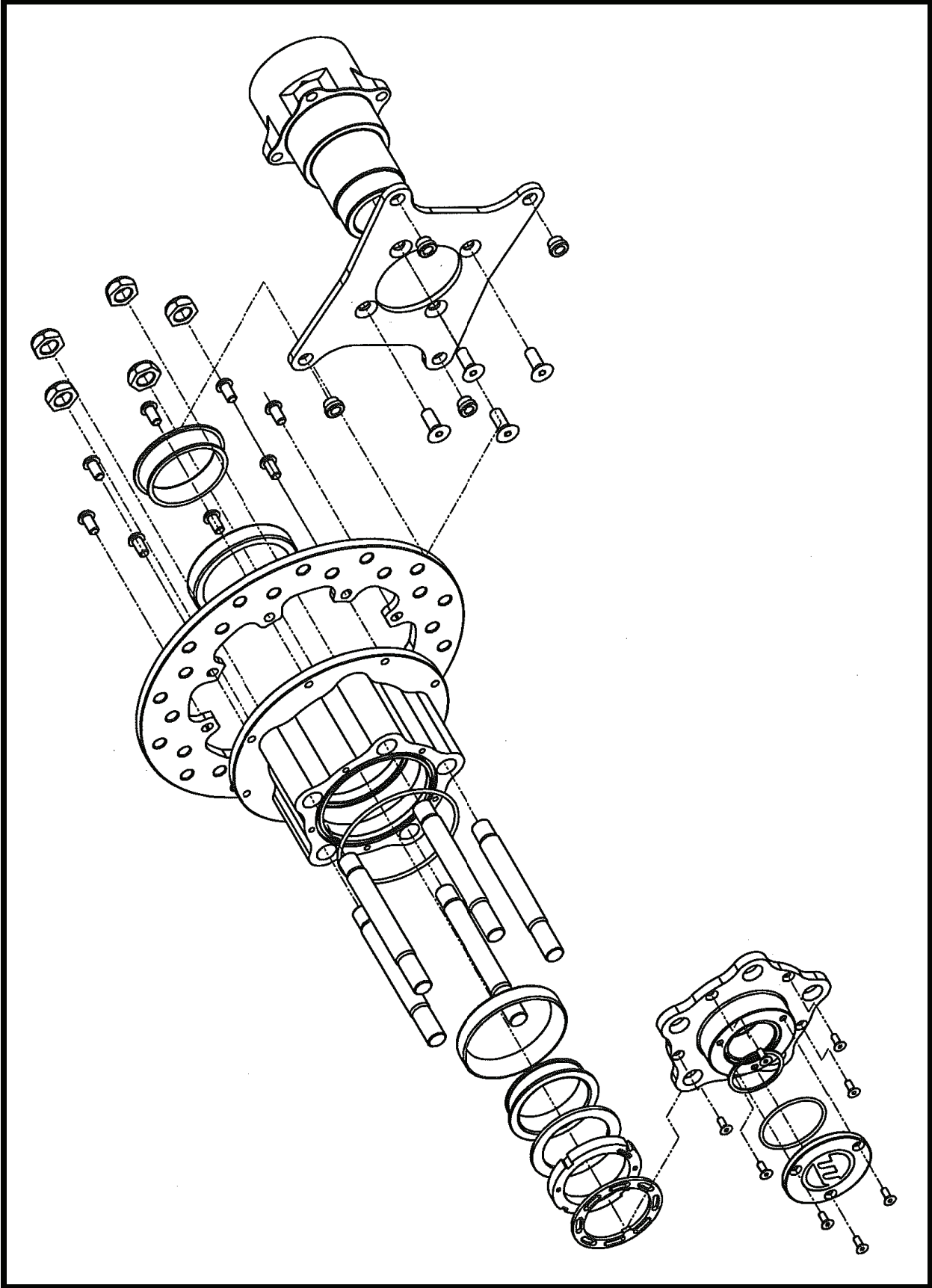
These Instructions are supplied as a guideline for assembly of your floater hub kit and require that you supply a clean and safe working environment to avoid damage to yourself, others, your new components or your car. If you have any questions during the installation of this product you can contact Moser Engineering and talk to any of our qualified technicians.

Material List



Qty.	Description	Part #
2 ea.	Dust Cap (ME)	4153
2 ea.	Dust Cap O-Ring	10480811
2 ea.	Snap Ring	1WS175XX
2 ea.	Drive Plate- 5" BP or 4.75" BP	4208—5" BP 4209-4.75" BP
2 ea.	Drag Hub 5" BP or 4.75" BP	4202—5" BP 4203-4.75" BP
2 ea.	Slotted Washer	4277
2ea.	Lock Nut	4265
2 ea.	Flat Washer	4276
2 pr.	Hub Bearing(LM610549)	4236
2 pr.	Hub Races (LM610510) (Pre-installed)	4235
1 pr.	Hub Seal	4245
10 ea.	Flathead Allen head for drive plates 10-32 x 3/4"	60512084
6 ea.	Dust cap screws- 10X32X1/2"	60512068
2 ea.	Drag Rotors (Cross-Drilled)	160-1601
	<u>Optional parts</u>	
2 ea.	Forged Dynalite Caliper	120-6818
2 ea.	Drag Rotor (Solid)	160-0201

Qty.	Description	Part #
2 ea.	Drag Floater Spindle (Weld-On)	4221
2 ea.	Double Caliper Brackets	4191
10 ea.	6"X5/8" Floater Studs	80D6
10 ea.	Thin Drive Stud Spacers	80LS
10 ea.	Drive Stud Lug Nut	80ON
10 ea.	Drive Stud Lock Nut	80IN
2 ea.	Hub O-Ring	10480826
16 ea.	5/16"X18X5/8" BTN Head cap screw—Rotor adapter bolts	124079XX
16 ea.	5/16" Int. Tooth Lock Washer-Rotor adapter washers	133712XX
8 ea.	Press in nuts for caliper brackets	12975XX
8 ea.	3/8"-24X3/4" BTN head socket cap screws for caliper brackets	12430X
4 ea.	10X24X1/2"- Allen head flat screw for securing lock nuts	1124030X
4 ea.	Ext. tooth lock washer for lock nuts	11233735X





Assembly Instructions

- 1. Make sure that all parts are present and accounted for by going thru the parts list and comparing your parts that you have received. Before beginning installation you will need to clean all threaded holes and the hub assembly with some type of brake clean to make sure that no foreign debris is contaminating the parts.**
2. Start the assembly process with the installation of the drive studs into the hubs. Put 1 drop of red Loctite to the short thread side. Double nut the studs to make it easier to thread the stud into the hub. Proceed one by one until all 5 studs are installed in each hub. Install the locknut onto the back of each stud to secure them and prevent the stud from coming loose.
3. Install the rotors to the back of the hubs using the 8 supplied studs 5/16-24 x 5/8" and 8 lock washers 5/16" internal lock washers. Be sure to use one drop of blue Loctite for each stud and torque to 11 ft/lbs.
4. Notice that the bearing races are already installed into the hubs at the Moser facilities. With the outer races already installed it is time to clean and pack the bearings with any high quality moly wheel bearing lube. After this is finished then proceed to install the inner bearing into the hub . It should drop into place.
5. Take the rear seal and insert it into the back of the hub using a seal driver or press until it is even with the hub. Be careful so not to damage the seal. Install 2 per side of the 10-24x1/2" button heads to retain the seal.
6. Take the caliper bracket and bolt it onto the floater spindle and tighten the bolts to 22 ft/lbs.
7. Slide the hub onto the spindle. Now take the outer bearing that has already been packed in the earlier steps with Moly lube and slide in onto the spindle until it seats full against the outer race in the hub. Slide the solid keyed washer onto the spindle and secure against the bearing. Now thread the locknut onto the spindle until the locknut is snug. Wiggle the hub assembly while you are tightening to make sure it is snug. Once you are sure it is good and snug slide the slotted washer onto the spindle and then back the nut off about 1/2 the width of a single slot on the slotted washer.
8. Install into the holes on the slotted washer the exterior tooth washer and 2 (10-24 x 1/2") button head caps per side and tighten firmly.
9. Install the large O-ring into the hub groove and then slide the drive flange onto the studs of the hub assembly. Secure the drive flange by screwing using 5 per side of the 10x32X1/2" drive flange screws and tighten to 20 in/lbs.
10. Install snap-ring onto axle and then slide axle into housing being careful to engage spool.
11. Insert the small O-ring into the dust cap and secure to drive flange w/3 per side of the 10-32x1/2" flat head torx and tighten to 20 in/lbs.
12. Install recommended Wilwood Calipers (120-6818) -Not supplied with Hub Assembly Kit.
13. Install wheels and or spacers per wheel manufactures requirements. Follow the specified torque specs suggested by the wheel manufacturer to prevent damage.